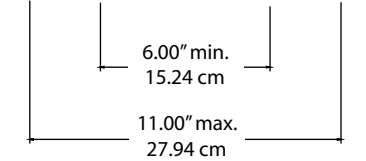
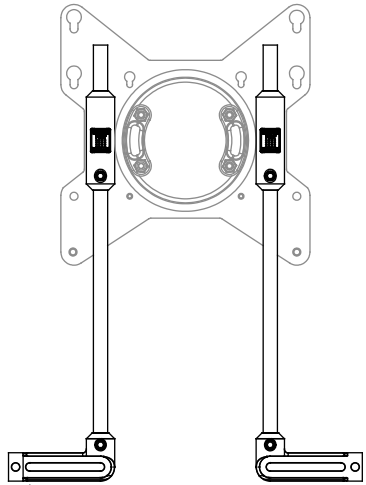


AX2LSB01 UNIVERSAL CENTER CHANNEL SPEAKER BRACKET - SPECIFICATION SHEET

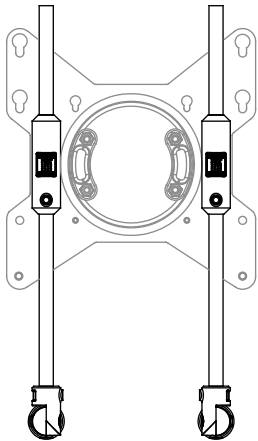
MAX TOTAL WEIGHT 15 LBS / 6.8 KG

AX2AWL01, AX2ACL01



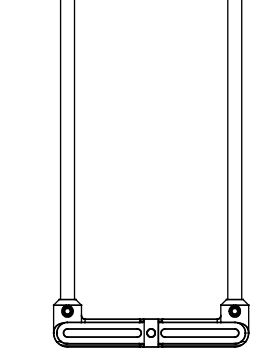
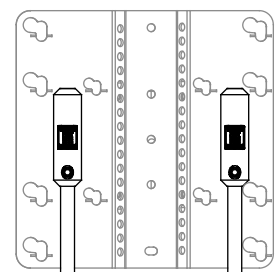
6.00" min.
15.24 cm

11.00" max.
27.94 cm



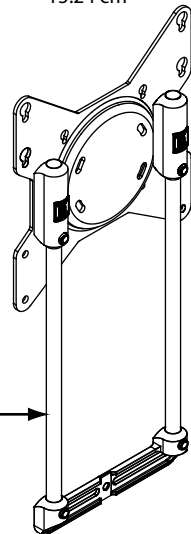
6.00"
15.24 cm

AX2WL02



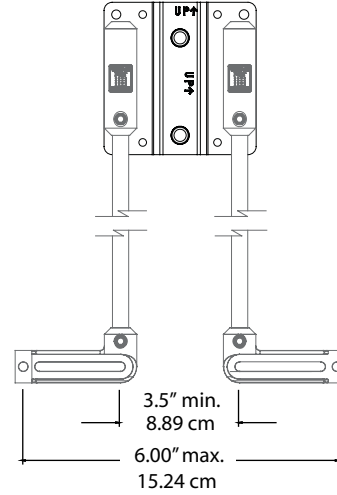
1.00" min.
2.54 cm

6.00" max.
15.24 cm



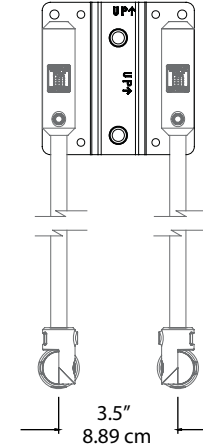
18" / 45.72 cm.
TUBE

WL01, WL02, UL01, UL02



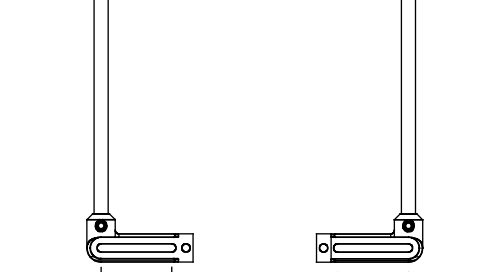
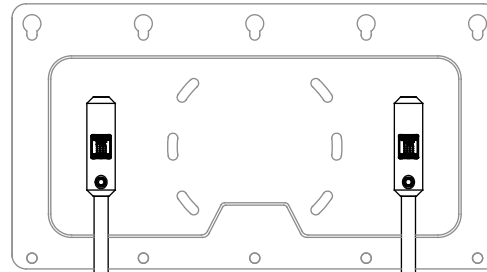
3.5" min.
8.89 cm

6.00" max.
15.24 cm



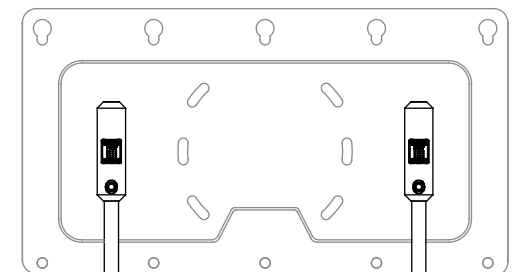
3.5"
8.89 cm

A83



5.86" min.
14.88 cm

10.86" max.
27.58 cm



10.86" min.
27.58 cm

15.86" max.
40.28 cm

Vantage Point Products Corp. 10233 Palm Drive Santa Fe Springs, CA 90670

USA: 800.582.9595 Canada: 905.607.9994 Europe: 31.72.581.6056

Email: cons-serv@vanptc.com Website: www.vanptc.com