

VFM product information sheet

Product Specifications

Fits most: 23" - 42" flat panels

Supports up to: 80 lbs (36.3 kg)

Mounting profile: 0.75" (19mm)

Universal & VESA compliant: 100x200 to 300x400

Mounting: Double-stud

Warranty: 5 years

Color: Black

Product Benefits

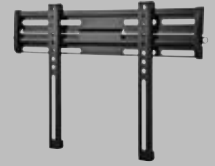
- Low 0.75" (19mm) mounting profile
- Steel construction for durability and strength
- Ideal for panels with bottom- or side-loading connectors
- Includes universal rails and spacers for greater panel compatibility
- Single wall plate allows for quick installation
- Small footprint provides ample room for power and A/V cutouts behind panel
- Lift n' Lock™ allows you to easily attach your flat panel to the mount
- Sliding lateral on-wall adjustment
- Locking system secures panel to mount
- Includes end caps for a clean side view
- Includes complete hardware kit



With a single wall plate, installing the VFM flat panel mount is quick and easy



Series



VFM



VFL



VFX

OmniMount, an innovator of A/V mounts and furniture for more than a quarter century, is the choice of professional installers and the brand most recommended by flat panel manufacturers. Recognizing the need for a promotionally oriented line of mounts, OmniMount has launched an entry-level, no-frills brand of mounts called VideoBasics™. The benefit to you? You get OmniMount's design and manufacturing expertise delivered in a low-cost mounting solution. VideoBasics™ fixed mounts are not only extremely low profile, they are the simplest install of any mount on the market today. The VFM is a perfect companion to medium, ultra thin profile flat panels.

videobasics™



OmniMount, an innovator of A/V mounts and furniture for more than a quarter century, is the choice of professional installers and the brand most recommended by flat panel manufacturers. Recognizing the need for a promotionally oriented line of mounts, OmniMount has launched an entry-level, no-frills brand of mounts called VideoBasics™. The benefit to you? You get OmniMount's design and manufacturing expertise delivered in a low-cost mounting solution. VideoBasics™ fixed mounts are not only extremely low profile, they are the simplest install of any mount on the market today. The VFM is a perfect companion to medium, ultra thin profile flat panels.



Product Specifications

Fits most: 23" - 42" flat panels

Supports up to: 80 lbs (36.3 kg)

Mounting profile: 0.75" (19mm)

Universal & VESA compliant: 100x200 to 300x400

Mounting: Double-stud

Warranty: 5 years

Color: Black

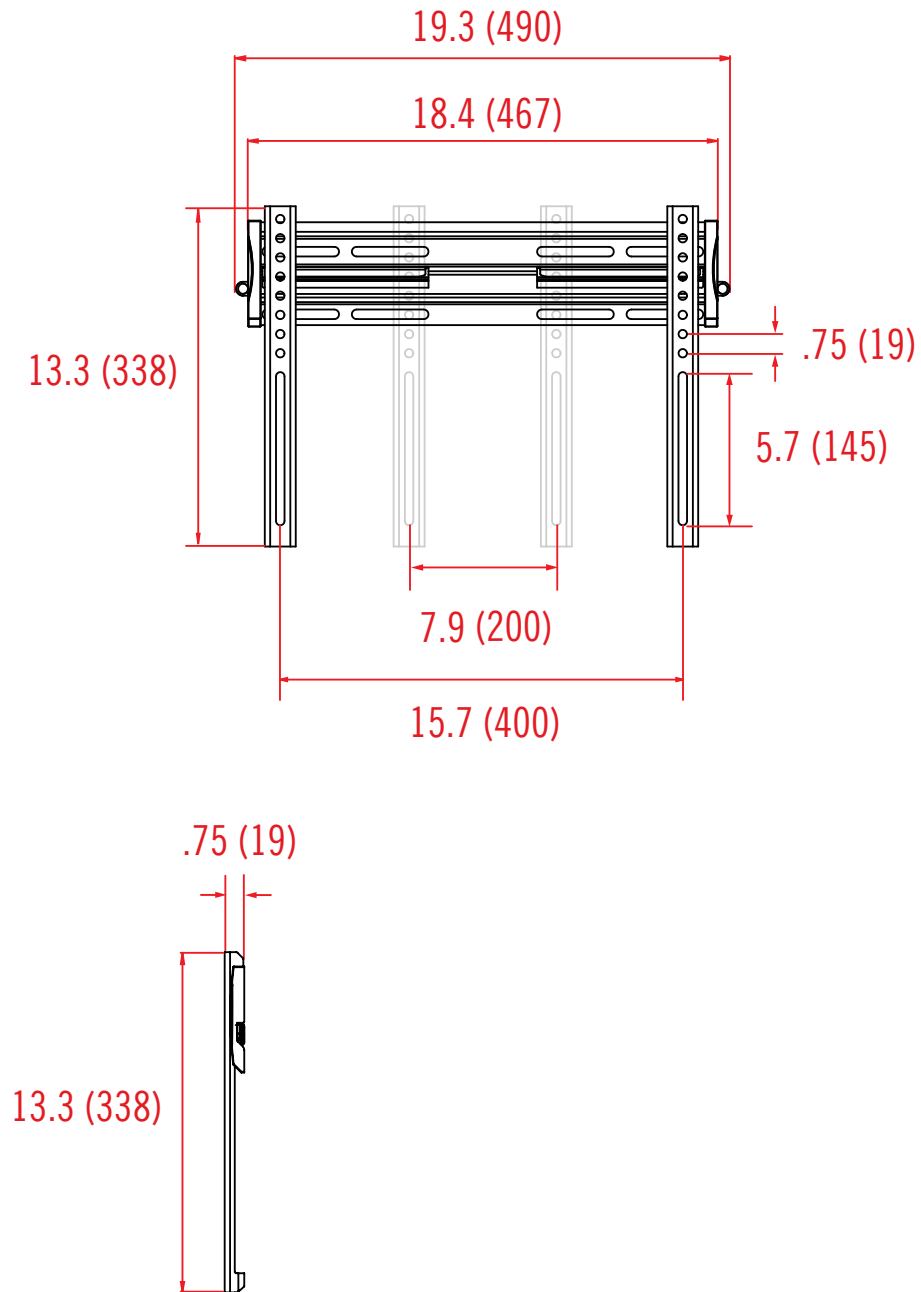
Product Benefits

- Low 0.75" (19mm) mounting profile
- Steel construction for durability and strength
- Ideal for panels with bottom- or side-loading connectors
- Includes universal rails and spacers for greater panel compatibility
- Single wall plate allows for quick installation
- Small footprint provides ample room for power and A/V cutouts behind panel
- Lift n' Lock™ allows you to easily attach your flat panel to the mount
- Sliding lateral on-wall adjustment
- Locking system secures panel to mount
- Includes end caps for a clean side view
- Includes complete hardware kit

	Stock Code	Packaging UPC	MC UPC
Americas	1004309-1	728901022869	728901716317
International	1004309INT-1	728901022869	728901716317

	Dimensions WxDxH inches (mm)	Wt lbs (kg)
Product Box	4.9 x 28.1 x 2 (124x714x51)	5.3 (2.4)
Master Carton	10.4 x 28.9 x 4.6 (264x734x117)	21.4 (9.7)

Box Contents	Qty
Wall plate	1
Universal rail	2
Locking bar	1
Complete mount installation hardware kit	1
Complete mount attachment hardware kit	1
Instruction manual	1
Flat panel compatibility chart	1



inches (mm)