

# SCMHEAD technical data sheet



Dedicated to being a one-stop shop for professional products, OmniMount remains on the cutting edge of product innovation. That's why we're the natural choice for any professional, industrial or commercial application. The SCMHEAD is a sturdy single flat panel mount, ideal for any ceiling application – whether TV viewing or digital signage.

## Product Specifications

**Fits most:** 23" - 42" flat panels

**Supports up to:** 200 lbs (90.7 kg)

**Tilt:** up to +30°

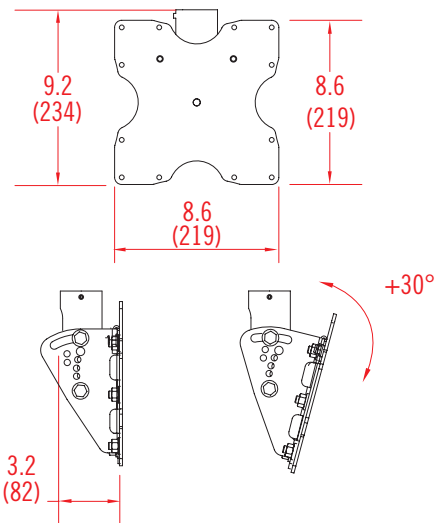
**VESA compliant:** 100x200 to 200x200

**Warranty:** 5 years

**Color:** Black

## Product Benefits

- Compatible with any 1.5" NPT
- Portrait or landscape orientation
- Tension adjustment for variable tilt or locking pin mechanism for precise positioning in 5° increments
- Lift n' Lock™ for quick installation
- Threaded bottom pipe for additional accessories
- Includes complete Grade 5 hardware kit
- NPT extension pipes available in 12", 18" and 24" lengths



The SCMHEAD is equipped with a pin tilt mechanism which tilts the panel at precise increments making it well-suited for single or multiple panel installations

	Stock Code	Packaging UPC	MC UPC
Americas	1004706-1	728901025594	72890171904
International	NA	NA	NA

	Dimensions WxDxH Inches (mm)	Wt lbs (kg)
Product Box	12.6 x 13.3 x 4.7 (321x337x120)	8.4 (3.8)
Master Carton	13.3 x 13.8 x 9.8 (337x350x250)	17.6 (8.0)

Box Contents	Qty
Adapter plate	1
Tilt hanger	1
Complete installation hardware kit	1
Instruction manual	1