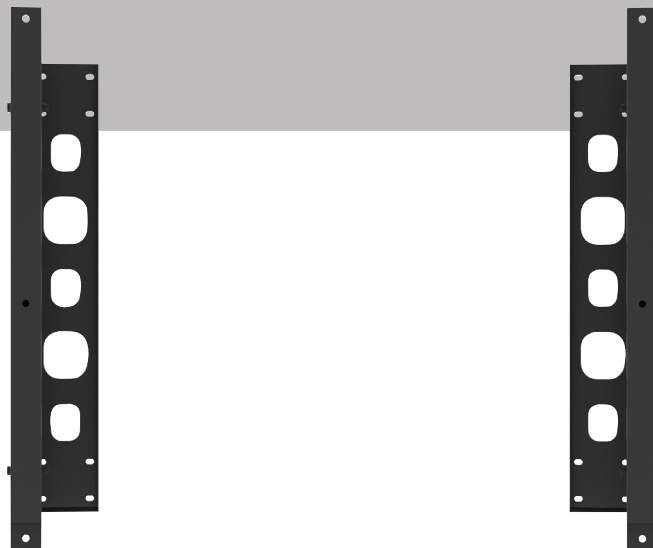


PAN103PRO technical data sheet



Dedicated to being a one-stop shop for professional products, OmniMount remains on the cutting edge of product innovation. That's why we're the natural choice for any professional, industrial or commercial application. The PAN103PRO is a custom-made, full-featured large format mount for all wall-mountable 103" flat panel displays.



Product Specifications

Fits: 103" flat panels

Supports up to: 500 lbs (227 kg)

Tilt: +1°, +3° and +5°

Mounting Profile: 8.5" (216mm)

Warranty: 5 years

Color: Black

Product Benefits

- Four positions of adjustment including fixed at 0° and tilt at +1°, +3° and +5°
- 1" sliding lateral on-wall adjustment and up to 3" vertical height adjustment
- Post-installation leveling adjustment
- Locking system secures panel to mount
- Designed, engineered and manufactured in the USA
- Professional installation required
- Includes complete Grade 8 hardware kit

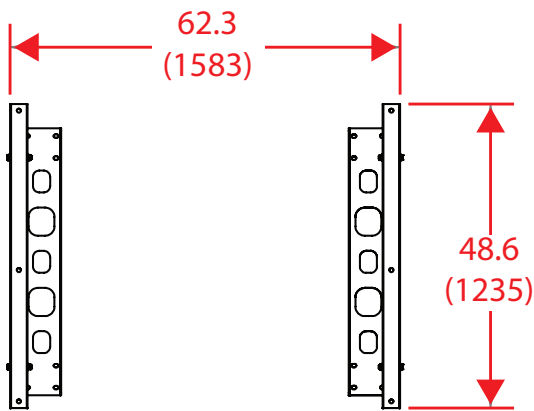
This is the only large-format mount for wall-mountable 103" flat panel TVs that includes post-installation vertical, horizontal and leveling adjustments.

	Stock Code	PRO UPC	MC UPC
Americas	1004712D	728901025686	728901719134
International	NA	NA	NA

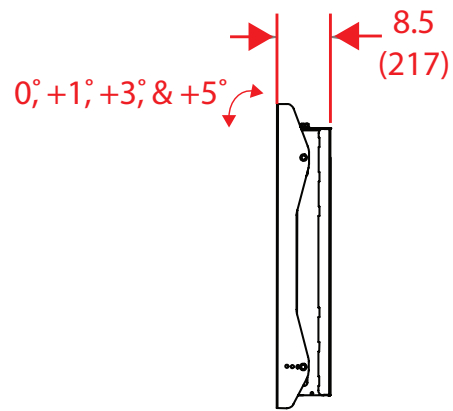
	Dimensions WxDxH Inches (mm)	Wt lbs (KG)	Qty
Box	57.5 x 18.9 x 17.9 (1460x480x455)	107 (48.5)	NA
MC	NA	NA	NA

Box Contents	Qty
Right wall bracket	1
Left wall bracket	1
Panel bracket	2
Hanging rod	4
Complete Grade 8 mount installation hardware kit	1
Complete panel attachment hardware kit	1
Instruction manual	1

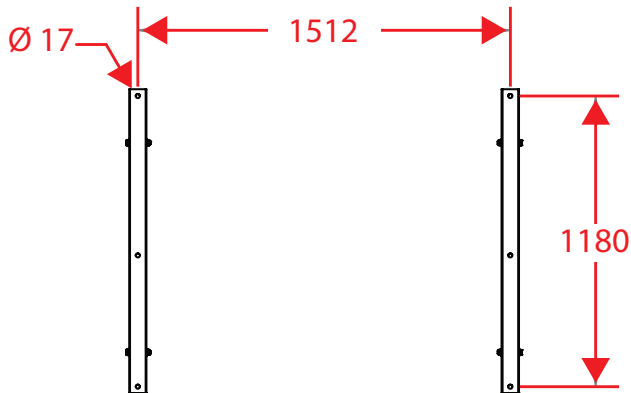
PAN103PRO line drawing



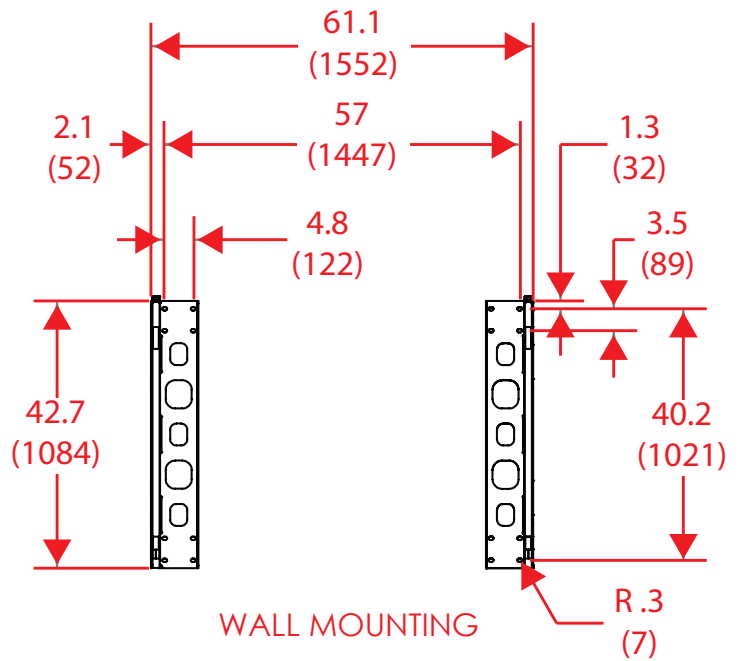
FRONT VIEW



MOUNTING PROFILE



PANEL ATTACHMENT -
VESA COMPATABILITY (mm)



WALL MOUNTING

inches (mm)