

OL200FT product information sheet

Product Specifications

Fits most: 42" - 70" flat panels
Supports up to: 200 lbs (90.7 kg)
Tilts: 3°, 5° and 7° increments
Mounting Profile: 2.0" (51 mm)
Universal & VESA Compliant:
100x100 to 400x800
Mounting: Double-stud
Warranty: 5 years
Color: Black

Product Benefits

- Eco-friendly design and packaging
- Low 2.0" (51mm) mounting profile
- Tilt at 3°, 5° and 7° increments to reduce glare
- Streamlined dual-function rails can easily alternate between fixed and tilt positions
- Includes universal rails and spacers for greater panel compatibility
- Small footprint provides ample room for power and A/V cutouts behind panel
- Lift n' Lock™ allows you to easily attach your flat panel to the mount



- Sliding lateral on-wall adjustment
- Locking system secures panel to mount
- Installation template for simple and accurate mounting
- Includes complete hardware kit



Exclusively by OmniMount, the eco-friendly OmniLite packaging is designed with installation instructions and a mounting template printed on the inside of the box, giving you everything needed to mount your flat panel with confidence – but without waste.



Series



OL50FT



OL125FT



OL200FT



OL50C



OL125C



OmniMount, an innovator of A/V mounts and furniture for more than a quarter century, is the choice of professional installers and the brand most recommended by flat panel manufacturers. In our ongoing effort to conserve nature's resources and reduce waste, OmniMount is proud to introduce the eco-friendly OmniLite Series™. Wherever possible, we've minimized component parts and used recycled materials in an effort to offer efficient mounting solutions, without sacrificing quality. The OL200FT has an efficient dual-function design and is perfect for eco-conscious consumers looking for an extra large flat panel mounting solution.



OL200FT technical data sheet



OmniMount, an innovator of A/V mounts and furniture for more than a quarter century, is the choice of professional installers and the brand most recommended by flat panel manufacturers. In our ongoing effort to conserve nature's resources and reduce waste, OmniMount is proud to introduce the eco-friendly OmniLite Series.™ Wherever possible, we've minimized component parts and used recycled materials in an effort to offer efficient mounting solutions, without sacrificing quality. The OL200FT has an efficient dual-function design and is perfect for eco-conscious consumers looking for an extra large flat panel mounting solution.



Product Specifications

Fits most: 42" - 70" flat panels

Supports up to: 200 lbs (90.7 kg)

Tilts: 3°, 5° and 7° increments

Mounting Profile: 2.0" (51 mm)

Universal & VESA Compliant: 100x100 to 400x800

Mounting: Double-stud

Warranty: 5 years

Color: Black

Product Benefits

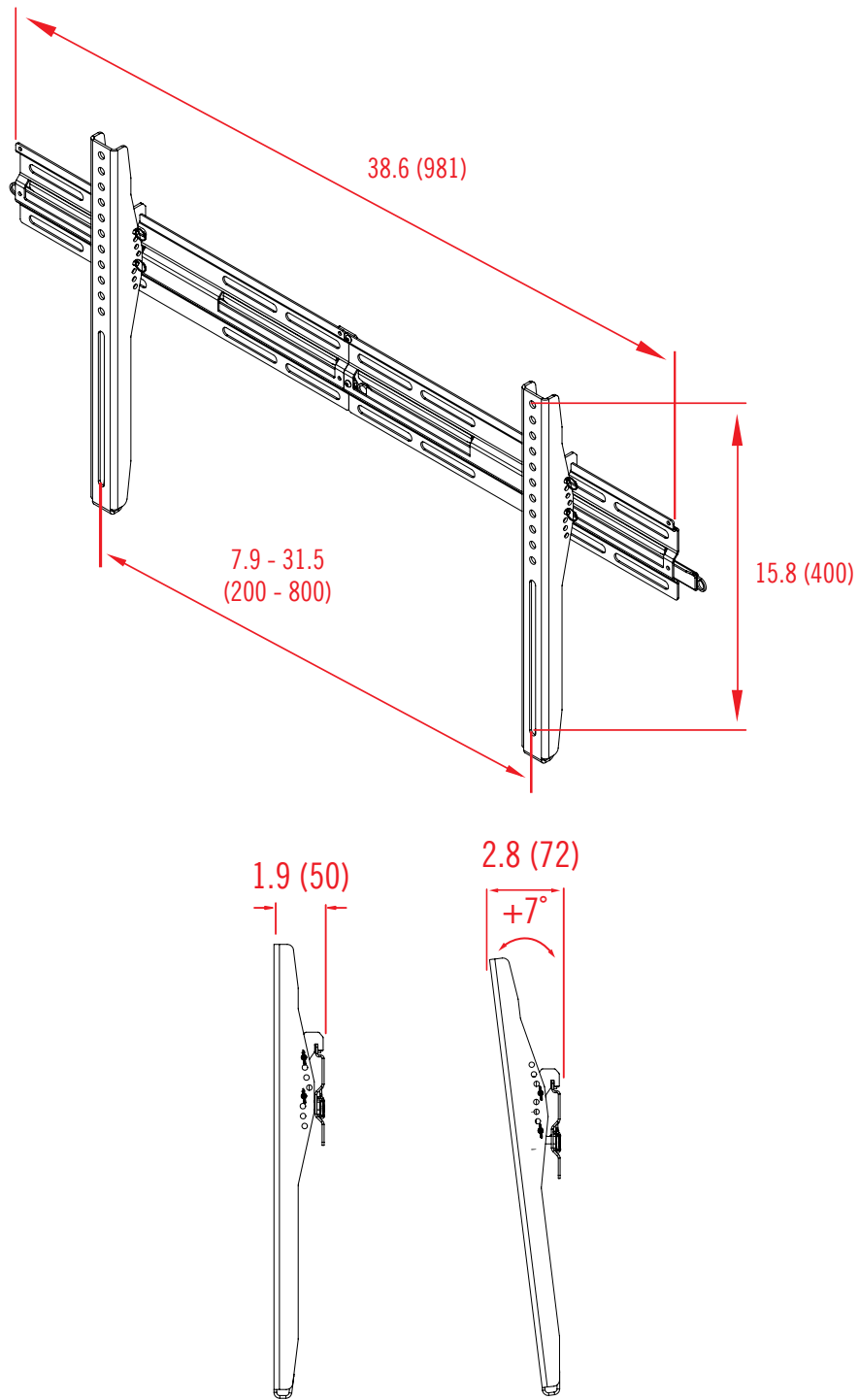
- Eco-friendly design and packaging
- Low 2.0" (51mm) mounting profile
- Tilt at 3°, 5° and 7° increments to reduce glare
- Streamlined dual-function rails can easily alternate between fixed and tilt positions
- Includes universal rails and spacers for greater panel compatibility
- Small footprint provides ample room for power and A/V cutouts behind panel
- Lift n' Lock™ allows you to easily attach your flat panel to the mount
- Sliding lateral on-wall adjustment
- Locking system secures panel to mount
- Installation template for simple and accurate mounting
- Includes complete hardware kit

	Stock Code	PRO UPC	MC UPC
Americas	1004525-1	728901023668	728901717116
International	1004525INT-1	728901023668	728901717116

	Dimensions WxDxH Inches (mm)	Wt lbs (kg)
Product Box	23.8 x 5.5 x 2.4 (605x140x60)	8.8 (4)
Master Carton	24.6 x 6.3 x 11.2 (625x160x285)	37.5 (17)

Box Contents	Qty
Wall plate	2
Universal rail	2
Locking bar	1
Complete mount installation hardware kit	1

Box Contents	Qty
Complete mount attachment hardware kit	1
Instruction manual	1
Flat panel compatibility chart	1



inches (mm)