

IQ30C product information sheet

Product Specifications

Fits most: 13" - 32" flat panels

Supports up to: 30 lbs (13.6 kg)

Tilt: -5° to +15°

Mounting profile: 2.0" (51mm)*

Maximum extension: 13.9" (352mm)

VESA compliant: 75x75 to 100x200

Mounting: Single-stud

Warranty: 5 year

Color: Black

*adapter adds 0.3" (8mm)



Product Benefits

- Tilt, pan and swivel for maximum viewing flexibility
- Streamlined arms nest for a compact 2.0" (51mm) mounting profile
- Extruded aluminum arms for maximum support in a lightweight mount
- Includes adapter for greater VESA compatibility
- Fully assembled for quick two-step installation
- Includes complete Grade 5 hardware kit



The IQ30C has streamlined arms that nest for a compact mounting profile

Series



IQ30C



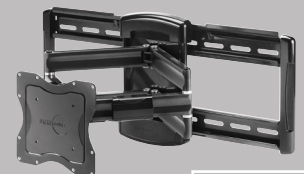
IQ80C



IQ100C



IQ125C



IQ200C

Dedicated to being a one-stop shop for professional products, OmniMount remains on the cutting edge of product innovation. That's why we're the natural choice for any professional, industrial, or commercial application. The iQMount Series of cantilever mounts puts a fresh spin on an old favorite, providing improved functionality – not to mention a new clean design. The IQ30C is a sensible cantilever for any job or customer requiring a mounting solution for small flat panels.



IQ30C technical data sheet



Dedicated to being a one-stop shop for professional products, OmniMount remains on the cutting edge of product innovation. That's why we're the natural choice for any professional, industrial, or commercial application. The iQMount Series of cantilever mounts puts a fresh spin on an old favorite, providing improved functionality – not to mention a new clean design. The IQ30C is a sensible cantilever for any job or customer requiring a mounting solution for small flat panels.



shown with adapter

Product Specifications

- Fits most:** 13" - 32" flat panels
- Supports up to:** 30 lbs (13.6 kg)
- Tilt:** -5° to +15°
- Mounting profile:** 2.0" (51mm)*
- Maximum extension:** 13.9" (352mm)
- VESA compliant:** 75x75 to 100x200
- Mounting:** Single-stud
- Warranty:** 5 year
- Color:** Black

*adapter adds 0.3" (8mm)

Product Benefits

- Tilt, pan and swivel for maximum viewing flexibility
- Streamlined arms nest for a compact 1.9" (49mm) mounting profile
- Extruded aluminum arms for maximum support in a lightweight mount
- Includes adapter for greater VESA compatibility
- Fully assembled for quick two-step installation
- Includes complete Grade 5 hardware kit

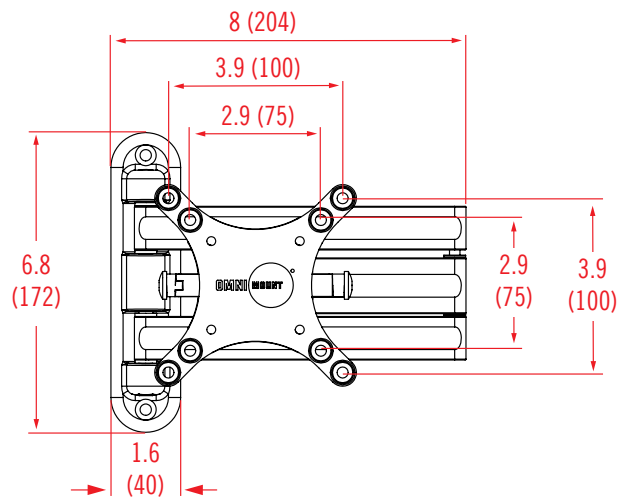
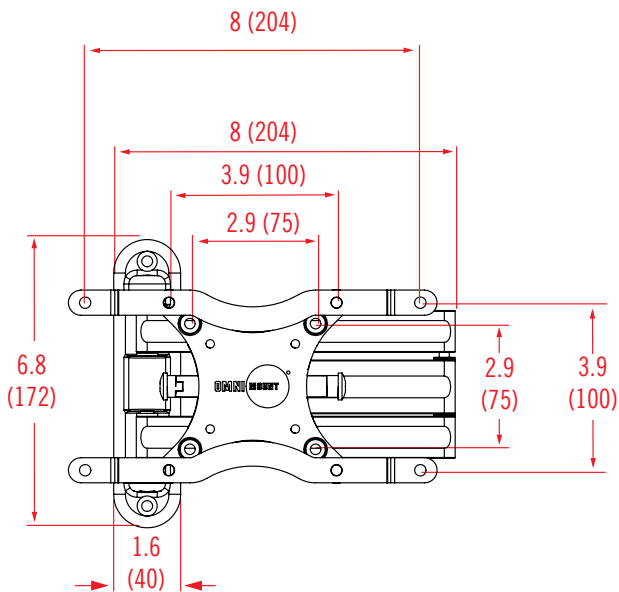
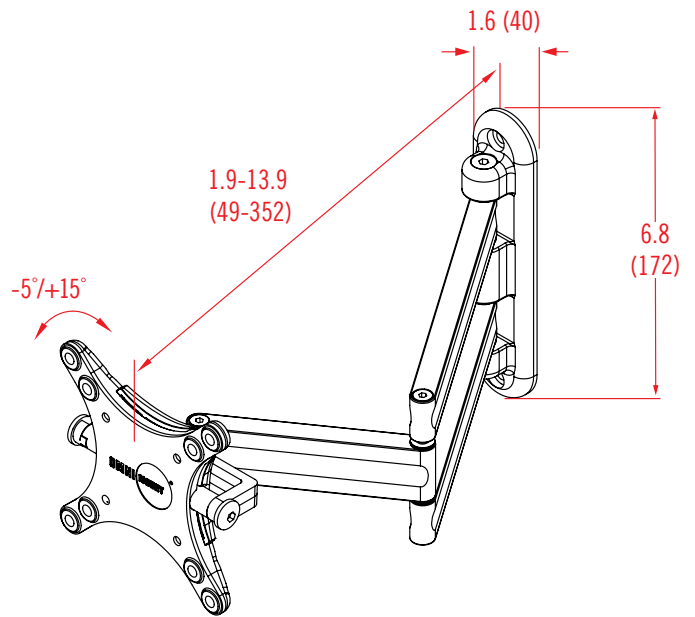
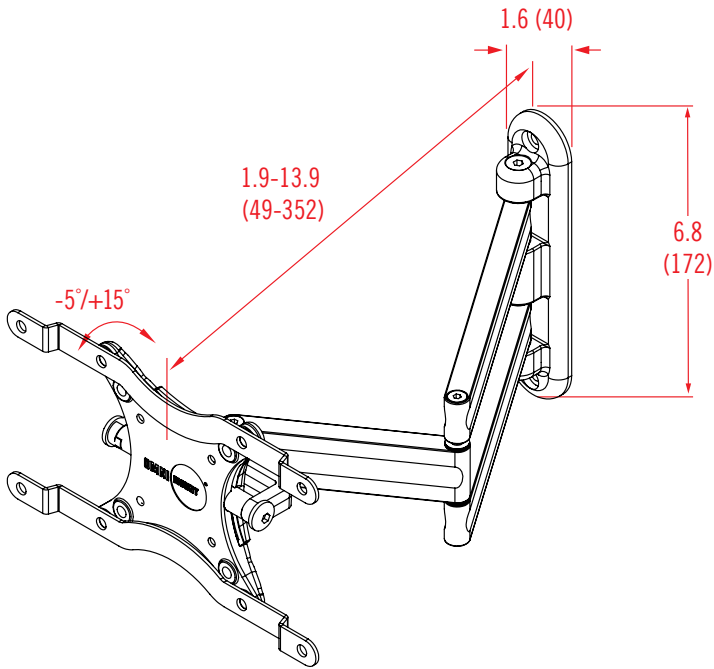
	Stock Code	Packaging UPC	MC UPC
Americas	1004542-1	728901023897	728901717345
International	NA	NA	NA

Box Contents	Qty
Cantilever mount	1
Strip adapter	2
Complete mount installation hardware kit	1

	Dimensions WxDxH Inches (mm)	Wt lbs (kg)
Product Box	9.3 x 7.5 x 2.1 (235x190x54)	2.7 (1.3)
Master Carton	9.5 X 9.5 X 8.2 (242X242X209)	12.6 (5.7)

Box Contents	Qty
Complete panel attachment hardware kit	1
Instruction manual	1

IQ30C line drawings



inches (mm)