

# FP-CL product information sheet

## Product Specifications

**Fits most:** 23" to 37" flat panels

**Supports up to:** 80 lbs (36.3 kg)

**Tilt:** -20° to +25°

**Mounting profile:** 3.5" (89mm)

**Maximum extension:** 23.1" (587mm)

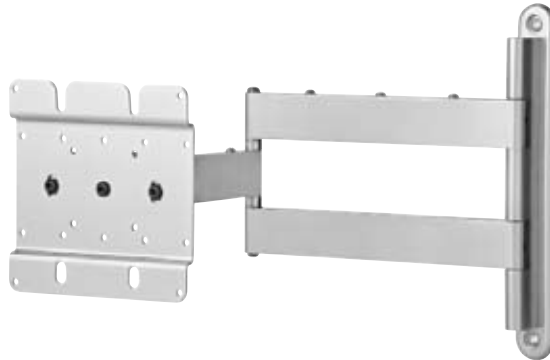
**VESA compliant:** 75x75, 100x100, 100x200, 200x200

**Mounting:** Single-stud

**Color:** Black and Platinum

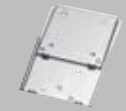
## Product Benefits

- Tilt, pan and swivel for optimum viewing
- Arms nest for low mounting profile
- Built-in screen leveling
- Locking system for added safety
- Includes complete Grade 5 hardware kit



The FP-CL comes fully assembled right out of the box for fast installation.

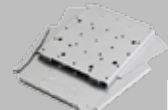
## Series



QM100 F



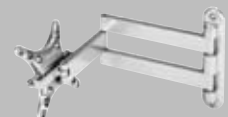
QM100 T



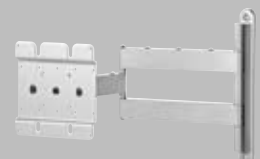
QM200 F



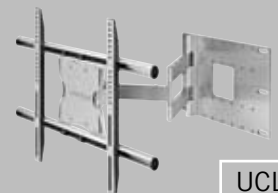
75/100 FD



75/100 CL



FP-CL



UCL



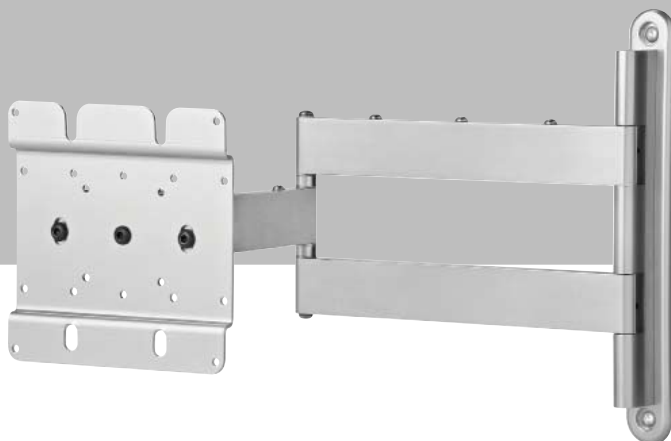
OmniMount, an innovator of A/V mounts and furniture for more than a quarter century, is the choice of professional installers and the brand most recommended by flat panel manufacturers. The Classic Series is a full line of fixed, tilt, flip down and cantilever mounting solutions designed with simplicity and affordability in mind. The FP-CL is a medium cantilever mount that is the obvious choice for basic installations.



# FP-CL technical data sheet



OmniMount, an innovator of A/V mounts and furniture for more than a quarter century, is the choice of professional installers and the brand most recommended by flat panel manufacturers. The Classic Series is a full line of fixed, tilt, flip down and cantilever mounting solutions designed with simplicity and affordability in mind. The FP-CL is a medium cantilever mount that is the obvious choice for basic installations.



## Product Specifications

**Fits most:** 23" to 37" flat panels

**Supports up to:** 80 lbs (36.3 kg)

**Tilt:** -20° to +25°

**Mounting profile:** 3.5" (89mm)

**Maximum extension:** 23.1" (587mm)

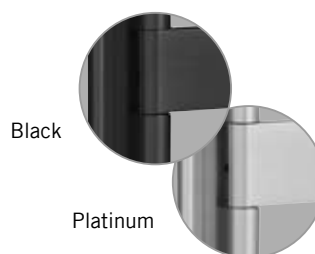
**VESA compliant:** 75x75, 100x100, 100x200, 200x200

**Mounting:** Single-stud

**Color:** Black and Platinum

## Product Benefits

- Tilt, pan and swivel for optimum viewing
- Arms nest for low mounting profile
- Built-in screen leveling
- Locking system for added safety
- Includes complete Grade 5 hardware kit

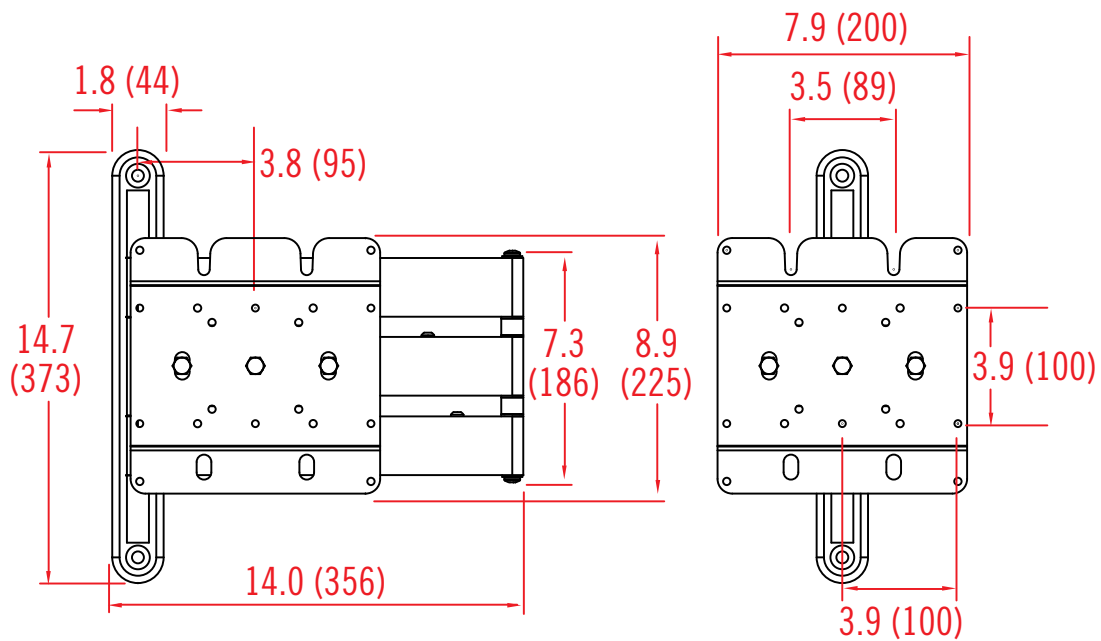
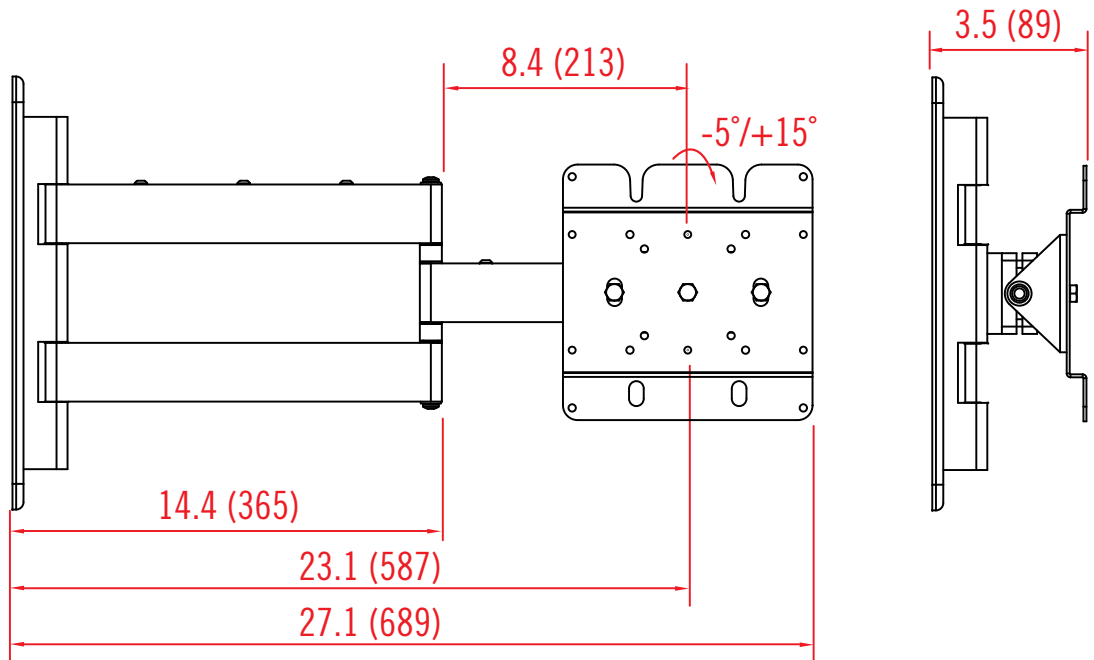


	Color	Stock Code	Packaging UPC	MC UPC
Americas	Black	1003696-1	728901018343	NA
International	Black	1003522-1	728901019890	NA
Americas	Silver	1002687-1	728901012372	NA
International	Silver	1002687EU-1	728901016660	NA

	Dimensions WxDxH inches (mm)	Wt lbs (kg)
Product Box	15.8 x 14.4 x 4.2 (400x365x106)	15.2 (6.9)
Master Carton	NA	NA

Box Contents	Qty
Cantilever mount	1
Complete mount installation hardware kit	1
Complete panel attachment hardware kit	1
Instruction manual	1
Flat panel compatibility chart	1

# FP-CL line drawing



inches (mm)