

4N1-M product information sheet



UL LISTED



2006 Custom Retailer
EXC!TE Award

The WorldMount™ Series offers maneuverability, adaptability and a stylish look – all at an affordable price. The 4N1-M is ideal for entry-level consumers looking for an easy-to-use medium mount with tilt, pan and swivel capabilities.

Product Benefits

- Tilt, pan and swivel for maximum viewing flexibility
- Lift n' Lock™ allows you to easily attach your TV to the mount
- Hidden compartment for allen wrench
- Cable management channel guides wires
- Includes adapters for greater VESA compatibility
- Locking system secures panel to mount
- Simple to install and use
- Includes complete hardware kit

Product Specifications

Fits most: 23–47" TVs
Supports up to: 100 lbs (45.4 kg)
Tilt: +15° to -5°
Mounting profile: 4.1" (104mm)*
Maximum Extension: 14.4" (364mm)*
VESA compliant: 100wx100h to 400wx400h
Mounting: Single-stud
UL listed: Yes
Warranty: 5 years
Color: Black
*Adapter adds 0.4" (9mm)

Series



1N1-S



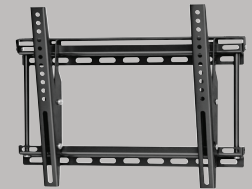
3N1-S



4N1-M*



2006 Custom Retailer
EXC!TE Award



2N1-M**



3N1-PJT



With its innovative injection molded body, the 4N1-M has not only a striking design, but also a lightweight one

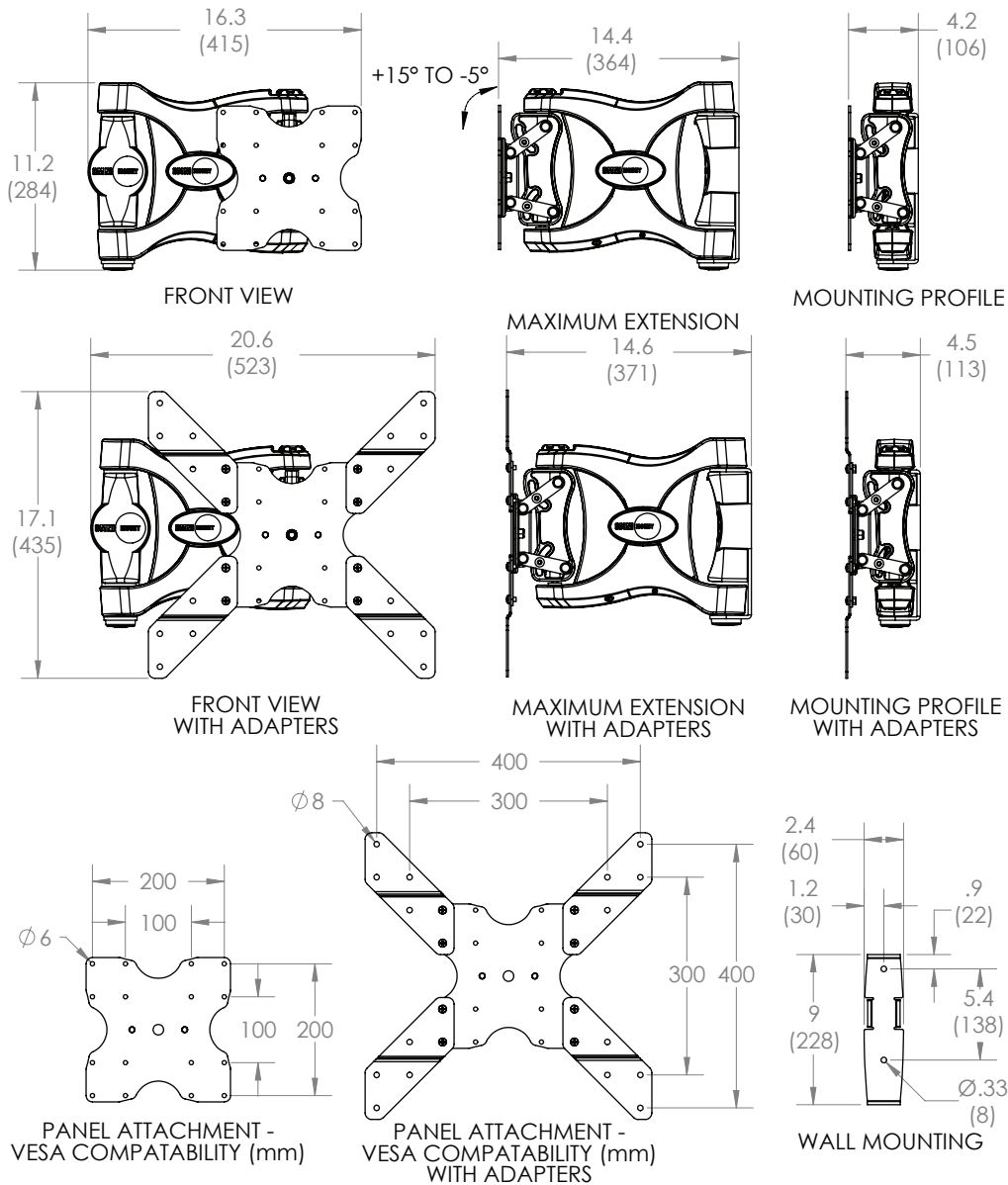
*Also available in small and large
**Available in medium and large, fixed and tilt

800.MOUNT.IT (800.668.6848)



10252011

4N1-M technical data sheet



inches (mm)

	Color	Packaging UPC	MC UPC
Americas	Black	728901022654	728901716102
International	NA	NA	NA

	Dimensions WxDxH inches(mm)	Wt (kg)	Qty
Box	13.2 x 18.9 x 4.5 (335x480x115)	13.7 (6.2)	NA
MC	13.8 x 19.5 x 9.5 (350x495x240)	12.7	2

Box Contents	Qty
Wall plate	1
Wall plate cover	1
Arm	1
VESA adapter	1

Box Contents	Qty
Complete mount installation hardware kit	1
Complete panel attachment hardware kit	1
Instruction manual	1
TV compatibility chart	1

