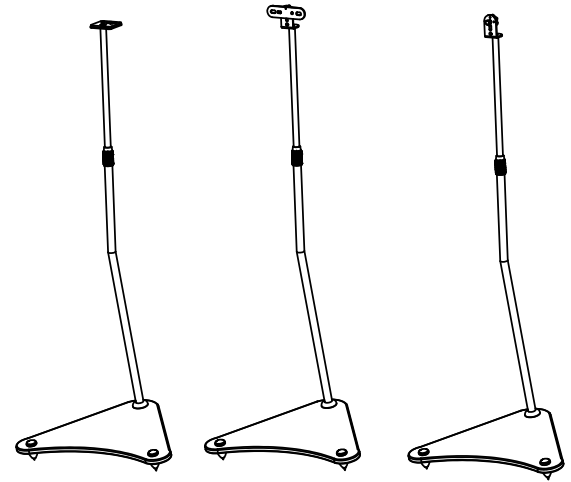
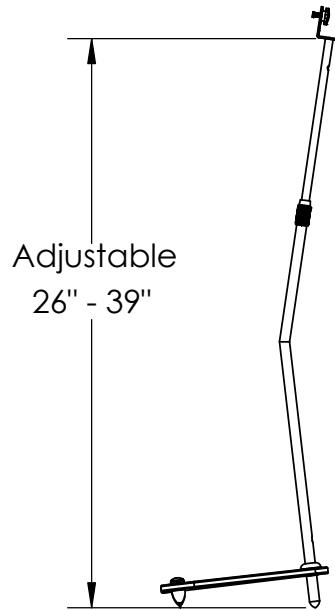
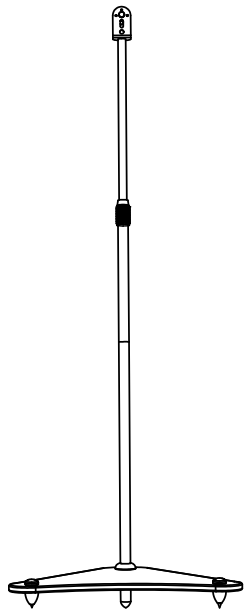


Maximum Speaker Capacity: 3.5lbs



3 optional speaker mounts



	NAME	DATE	SANUS SYSTEMS	
DRAWN	NAS	9/27/05	TITLE: HTB4	
CHECKED				
ENG APPR.				
MFG APPR.				
Q.A.				
<p>HTB Foundations</p>			SCALE: 1:12	SHEET 1 OF 1

PROPRIETARY AND CONFIDENTIAL
 THE INFORMATION CONTAINED IN THIS DRAWING IS THE SOLE PROPERTY OF SANUS SYSTEMS. ANY REPRODUCTION IN PART OR AS A WHOLE WITHOUT THE WRITTEN PERMISSION OF SANUS SYSTEMS IS PROHIBITED.