



© TechCraft

FPD44B

44" WIDE 3-WAY STAND - BLACK GLASS TOP AND SHELVES- ACCOMMODATES MOST 50" AND SMALLER FLAT PANELS

OVERALL DIMENSIONS

52 "H x 43 1/4" W x 18 1/4 "D
1320mm h x 1098mm wx 463mm d

BOX SPECIFICATIONS

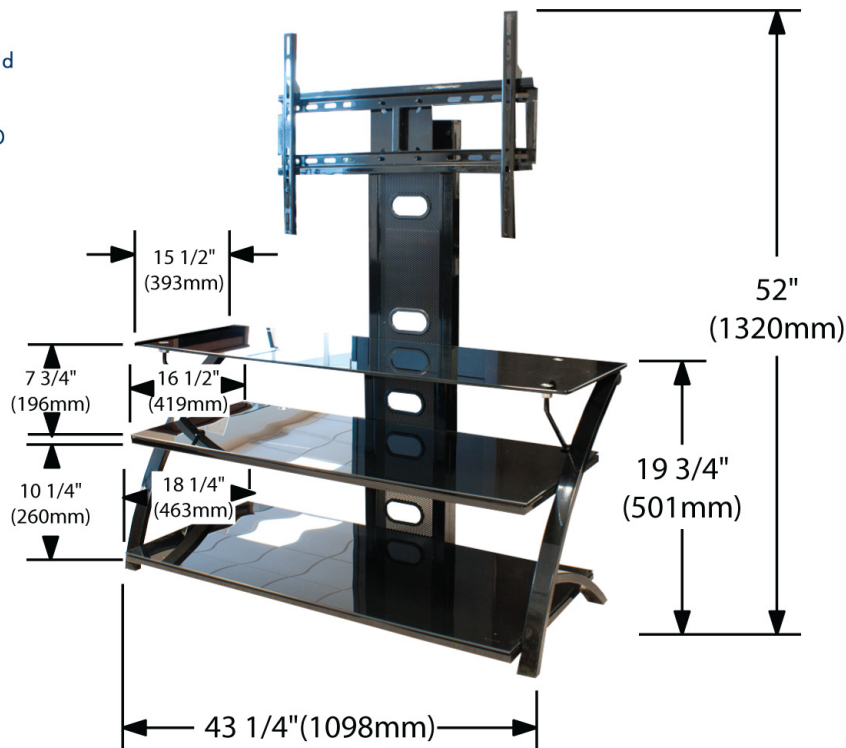
6 3/4" H x 48 1/4" W x 21 3/4" D

Gross Weight : 90 lbs. 41 kg.

SKID COUNT : 18

WEIGHT CAPACITIES

Mount : 120 lbs. 54 kg.
Top Shelf : 120 lbs. 54 kg.
Component Shelves : 40 lbs. 18 kg.



UPC CODE : 6-23788-00658-5