



© TechCraft

CRE60B

60" WIDE CREDENZA, SOLID WOOD AND VENEER IN A BLACK FINISH,
ACCOMMODATES MOST 65" AND SMALLER FLAT PANELS

OVERALL DIMENSIONS

22 3/8" H x 59 7/8" W x 19 3/4" D
568mm h x 1521mm w x 502mm d

BOX SPECIFICATIONS

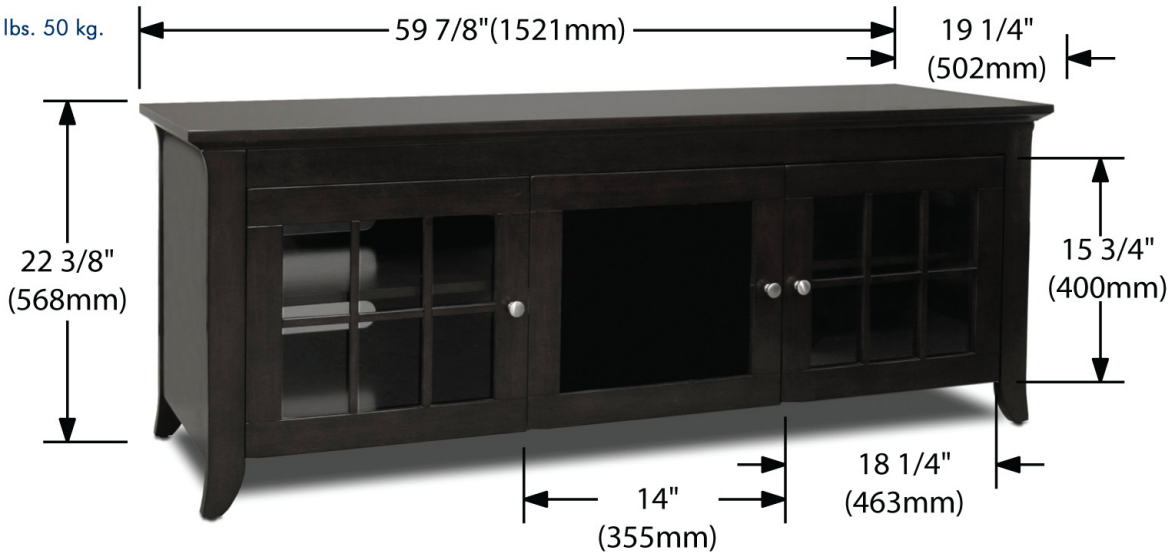
8 3/4" H x 64 1/4" W x 23 1/4" D

Gross Weight : 111 lbs. 50 kg.

SKID COUNT : 14

WEIGHT CAPACITIES

Top Shelf : 175 lbs. 79 kg.
Component Shelves : 33 lbs. 15 kg



UPC CODE : 6-23788-00561-8