

Power55 product information sheet

Product Specifications

Fits most: 37" - 55" flat panels

Supports up to: 110 lbs (50 kg)

Tilt: Up to +15°

Pan: Up to 20° left and right

Mounting profile: 2.9" (74mm)

Maximum usable extension: 7.6" (193mm)

Universal & VESA compliant: 100x200 to 400x800

Mounting: Double-stud

UL listed: Yes

CE listed: Yes

TÜV GS listed: Yes

Warranty: 12 months

Color: Black

Product Benefits

- Reposition your flat panel from anywhere in a room with remote control
- Tilt, pan and swivel for maximum viewing flexibility
- Up to three programmable positions
- Safety mechanism stops motion when movement is obstructed
- Universal rails for greater panel compatibility
- Single-arm design with auto centering
- Lift n' Lock™ allows you to easily attach your flat panel to the mount
- Sliding lateral on-wall adjustment
- Open architecture provides easy access to in-wall wiring
- Virtually silent operation (45dB)
- Programmable wall detection
- Installation template for simple and accurate mounting
- Includes remote control, RS232 cable, level and complete hardware kit



The Power55 offers all the advantages of automation including a programmable remote control so you can reposition the mount from anywhere in a room



UL US LISTED

Series



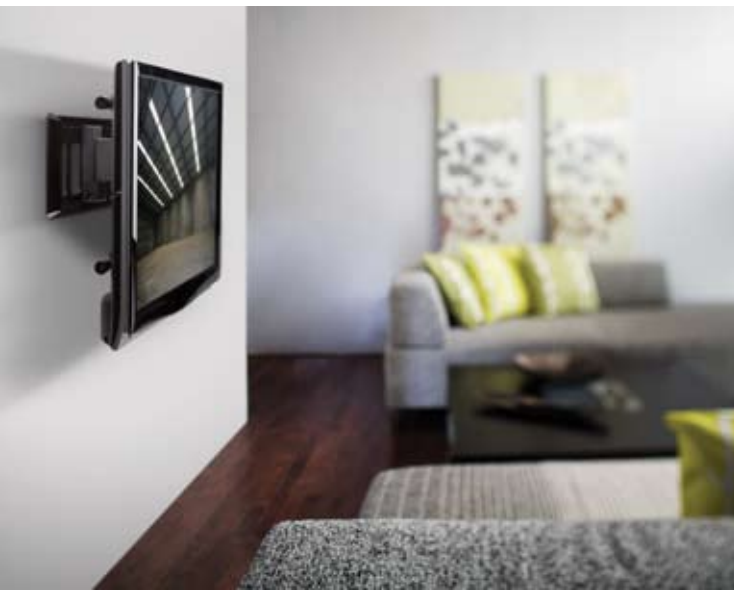
Power40



Power55



Lift42



OmniMount, an innovator of A/V mounts and furniture for more than a quarter century, is the choice of professional installers and the brand most recommended by flat panel manufacturers. OmniMount remains on the cutting-edge of innovation by offering the MotionPicture Series – a full line of remote controlled motorized mounts designed with the convenience of automation. The Power55 is a state-of-the-art remote controlled motorized cantilever mount that allows you to tilt, pan and swivel large flat panels from anywhere in a room with the touch of a button.



Power55 technical data sheet



Product Specifications

Fits most: 37" - 55" flat panels
Supports up to: 110 lbs (50 kg)
Tilt: Up to +15°
Pan: Up to 20° left and right
Mounting profile: 2.9" (74mm)
Maximum usable extension: 7.6" (193mm)
Universal & VESA compliant: 100x200 to 400x800
Mounting: Double-stud
UL listed: Yes
CE listed: Yes
TÜV GS listed: Yes
Warranty: 12 months
Color: Black



Product Benefits

- Reposition your flat panel from anywhere in a room with remote control
- Tilt, pan and swivel for maximum viewing flexibility
- Up to three programmable positions
- Safety mechanism stops motion when movement is obstructed
- Universal rails for greater panel compatibility
- Single-arm design with auto centering
- Lift n' Lock™ allows you to easily attach your flat panel to the mount
- Sliding lateral on-wall adjustment
- Open architecture provides easy access to in-wall wiring
- Virtually silent operation (45dB)
- Programmable wall detection
- Installation template for simple and accurate mounting
- Includes remote control, RS232 cable, level and complete hardware kit

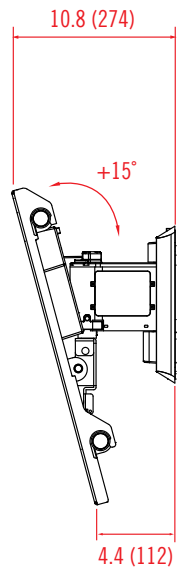
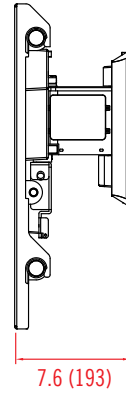
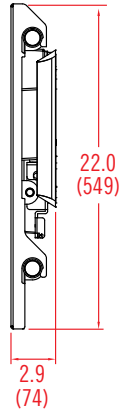
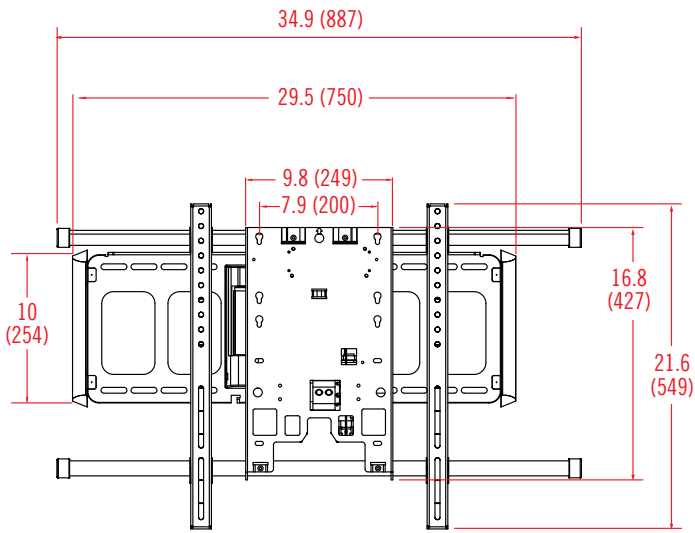
	Stock Code	Packaging UPC	MC UPC
Americas	1004470-1	728901023255	NA
International	NA	NA	NA

	Dimensions WxDxH inches (mm)	Wt lbs (kg)
Product Box	39.3 x 23.3 x 7.3 (998x592x185)	39.2 (17.8)
Master Carton	NA	NA

Box Contents	Qty
Motorized wall mount	1
Vertical rail	2
Remote control	1
RS232 cable	1
IR receiver	1
Power adapter	1
Power cord	1

Box Contents	Qty
Adapter housing	1
Level	1
Installation template	1
Complete mount installation hardware kit	1
Complete panel attachment hardware kit	1
Instruction manual	1
Flat panel compatibility chart	1

Power55 line drawing



inches (mm)