



**Step 4: Attaching your LCD monitor:** If your LCD has a table top stand, you will need to remove the stand before attaching it to the VESA Plate; refer to the LCD's manual for stand removal instructions.

If your LCD is VESA compliant, attach your LCD directly to the VESA Plate. If your LCD is not VESA compliant, attach the adapter plate (not included) to your LCD, then attach the LCD/adapter plate assembly to the VESA Plate (use the screws that come with the adapter plate).

There are 4 sets of screws with 4 screws per set supplied. Based on your LCD manufacturer's specifications, determine the proper diameter & length of screws that you need. **CAUTION: Damage to internal components can occur if you use screws that are too long.**

**Step 5: Adjusting the mount:** Always support the LCD properly during tensioning adjustments. Try to maintain an even torque on each of the four screws involved as you slowly increase/decrease the tension. It does not take much change in torque to make a large difference in the tension. Periodic adjustment of these screws may be necessary to maintain desired tension.

- **Height on the T-Tube:** Determine the height that your monitor needs to be on the T-Tube so that you can tilt the mount in retracted position. If your monitor slides down the T-Tube, you will need to tighten the four 1/4-20 x 1/2" screws (part C) in image B. Keep in mind that adjusting this tension will affect the swiveling tension.
- **Flipping up/down:** If you push the mount in the retracted position and the mount moves back down on its own, you will need to tighten the four clamp screws (part B, in image B). If it is too hard to move up/down, slightly adjust them appropriately.
- **Swiveling left/right:** If it is too difficult to twist your monitor, then you will need to loosen part C screws in image C. Keep in mind that adjusting for the twist will affect the height tension.

If you attach any wires along the Flip-down T-Tube (for example, using wire-ties), be sure that the wires (or ties) are not pulled, pinched or kinked when you move the Flip-down mount into different positions.

Every effort has been made to provide accurate and error-free assembly and installation. OmniMount Systems disclaims liability for any difficulties arising from the interpretation of information contained in these instructions. If OmniMount products are used for purposes other than their original intent, OmniMount, its distributors and retailers shall not be held responsible or liable for injuries or property damage, direct, indirect, or consequential, which may arise from the inability to use this product safely, properly, and in the manner for which it has been designed and manufactured. Warranty does not apply to products which have been lost, damaged by misuse, abuse, or accident.

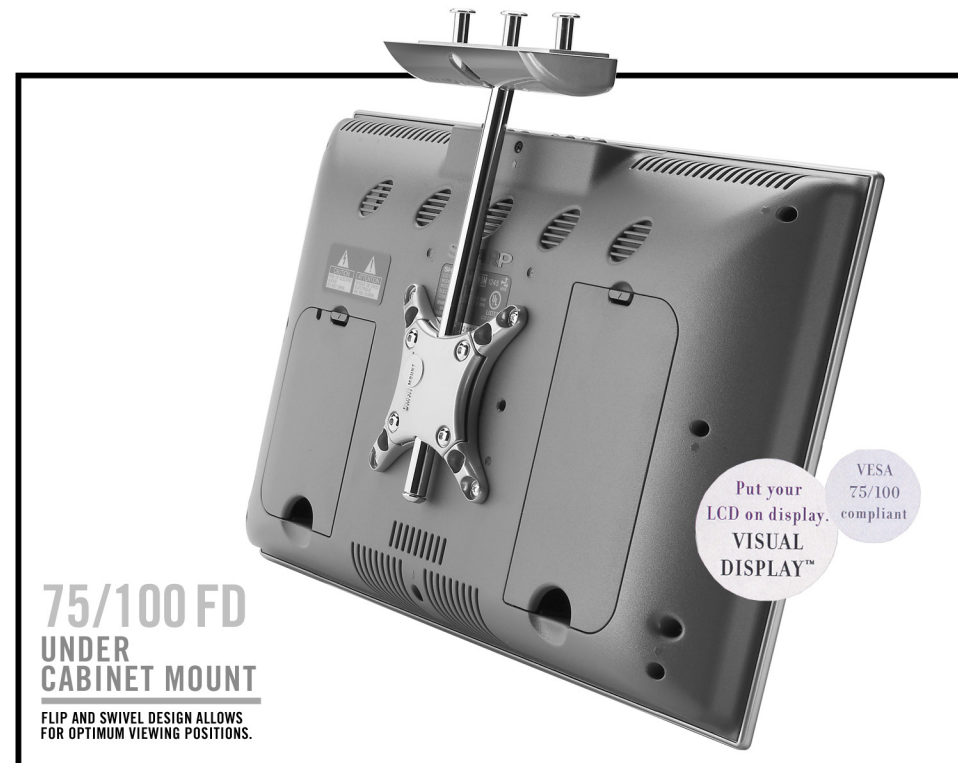
For assistance or more information on great products from OmniMount Systems, Inc., contact us at:

OmniMount Systems, Inc.  
The Pointe at South Mountain  
8201 S. 48th St.  
Phoenix, AZ 85044-5355  
1-800-MOUNT-IT  
Voice: 480-829-8000  
Fax: 480-756-9000  
web: www.omnimount.com

VISUAL DISPLAY™ SERIES

# LCD FLIP DOWN UNDER CABINET MOUNT

- COMPATIBLE WITH VESA 75/100 LCD MONITORS
- LIGHT WEIGHT, LONG LASTING ALUMINUM
- FLIP DOWN AND SWIVEL FOR OPTIMUM VIEWING
- DURABLE ELECTROSTATIC POWDER COATING
- ALL PARTS INCLUDED FOR EASY INSTALLATION



Thank you for buying an OmniMount Product!

# LCD VESA 75/100 FD - Flip Down Mount Instructions

## PARTS LIST:

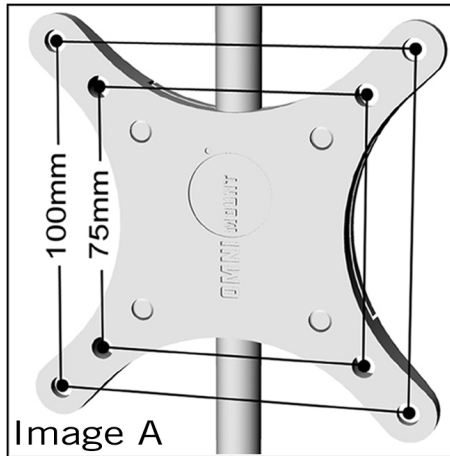


Read through the entire instructions before beginning.

**Determine that your LCD monitor is VESA standard compliant:** VESA is a standard mounting hole pattern (image A). The 75/100 CL LCD Cantilever Mount can attach to both 75mm & 100mm VESA square hole patterns.

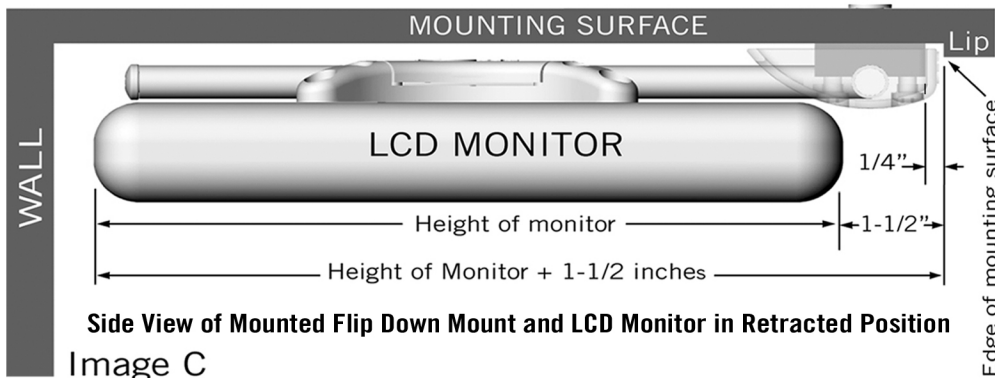
If your LCD is not VESA standard compliant, you will need a mounting adapter between your LCD and the cantilever VESA plate. Contact OmniMount to see if an adapter is available for your LCD.

The mounting hardware that is included with this mount is intended for a 3/4" to 1" thick mounting surface. For any surface that is thicker or thinner, you will need to purchase different mounting hardware.



### Step 1: Determine your preferred mounting location:

Take into account good viewing angles, and any mounting obstructions (i.e. cabinet lip, cabinet support structures, under cabinet lighting or power lines). Be sure that the LCD and the Flip Down mount will fit in the space that you want to mount it, especially if you are mounting it near a corner.



In the flipped-up (retracted) position, it is recommended that you have 1-1/2 inches more space than your LCD is tall (see image C), unless you are not planning to flip it up. It is recommended that this mount NOT be used over or close to cooking or water related areas.

**Step 2: Mount the Upper Clamp Plate:** Use Image B & C for reference. Remove the Upper Clamp plate from the Flip-down assembly by removing the four 1/4-20 x 3/4 inch screws (Part B) with the provided 4mm hex wrench. The front edge of the Upper Clamp plate needs to be set back at least 1/4 inch from the front edge of your mounting surface (see image C; Note: not all mounting surfaces will have a lip) to allow enough room for the front of the Cover / clamp plate.

The three mounting holes on the mounting plate need to be positioned 1 inch from the front edge of where you are mounting (see image D). Locate, mark, and drill the center hole with 11/32 inch drill bit (not included). Put the T-nut in the hole from the top, (it should be a snug fit). Using the 1/4-20 x 1/2" screw (part A), mount the mount plate to the underside of the mounting surface.

Be sure that the front edge of the Upper Clamp plate is parallel to the edge of the mounting surface, then mark and drill the two outer holes for the Upper clamp plate; removal of mounting plate may be necessary before drilling.

Attach the Upper Clamp plate to the underside of the mounting surface using all three screws and T-nuts; be sure the center groove on the underside of the Upper Clamp Plate (See image D) is facing in the direction that the mount will be flipped up.

**Step 3: Re-assembling the mount:** Refer to Image B. Using the four 1/4-20 x 3/4" screws (Part B) re-assemble the parts together; be sure that the T-tube fits in the long groove of the Upper Clamp plate. Better tilting results will be achieved if even pressure on all four screws is maintained.

