



Thank you for purchasing this Elite product. You will need the following tools:
Phillips Head Screw Driver • Straight Blade Screw Driver • Rubber Padded Hammer or Mallet

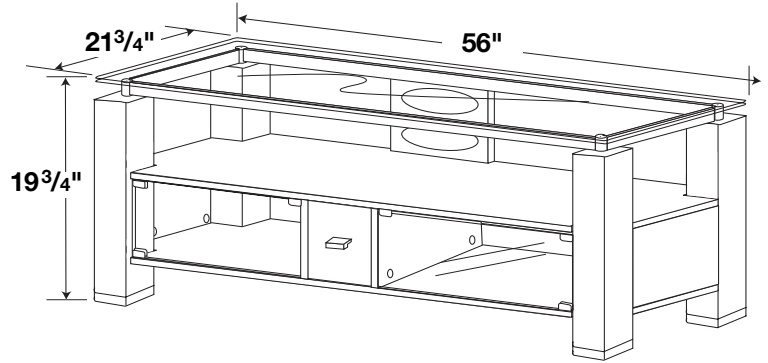
ASSEMBLY INSTRUCTIONS

EL-9482

HIGH GLOSS BLACK LACQUER FINISH

56" WIDE TV STAND & AUDIO RACK COMBO

OVERALL DIMENSIONS:
19 3/4" H x 56" W x 21 3/4"D



PARTS

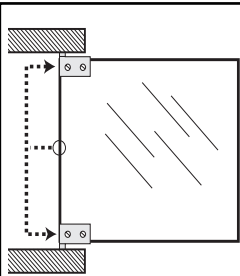
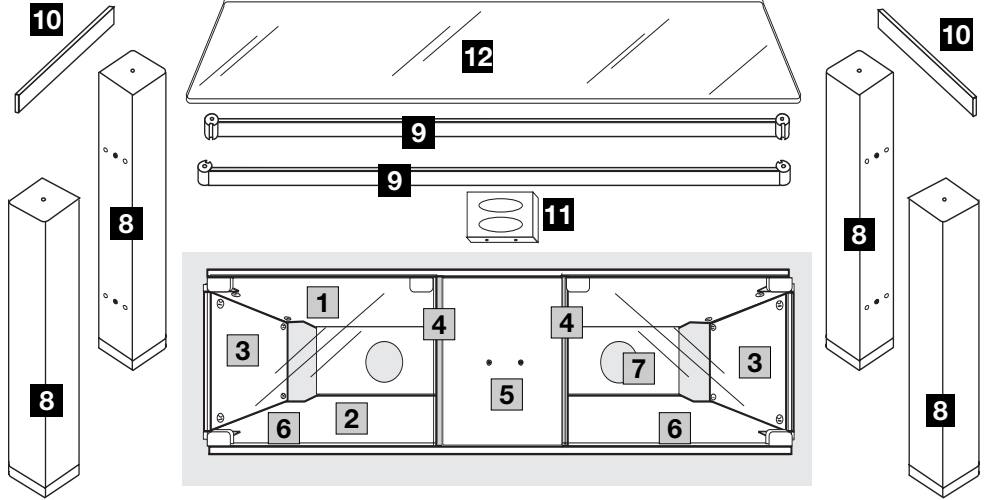
PRE-ASSEMBLED BODY

Includes the following pieces assembled by the factory.

1. Top Panel
2. Bottom Panel
3. Side Vertical Support Panels (2 Identical)
4. Center Vertical Support Panels with Drawer Rails (2 Identical)
5. Center Drawer
6. Front Glass Doors (2 Identical)
7. Back Panel

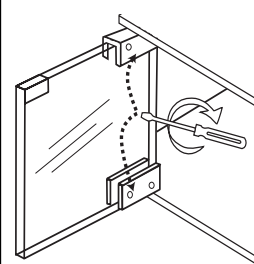
TO BE ASSEMBLED BY CUSTOMER

8. Legs (4 identical)
9. Long Metal Rails (2 identical)
10. Short Metal Rails (2 identical)
11. Wire Management Channel
12. Glass Top

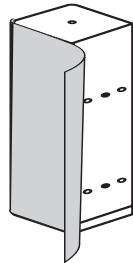


BEFORE PROCEEDING WITH ASSEMBLY, CHECK POSITIONS OF GLASS DOORS AND ADJUST IF NECESSARY.

TOP AND BOTTOM DOOR HINGES SHOULD BE ALIGNED WITH EDGE OF GLASS DOOR.



USE A STRAIGHT BLADE SCREWDRIVER TO LOOSEN DOOR HINGE SCREWS. ADJUST DOOR POSITION, THEN RE-TIGHTEN DOOR HINGE SCREWS.

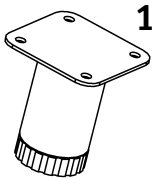


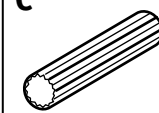
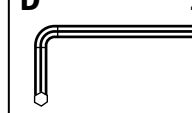


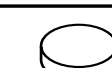

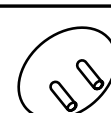





SPECIAL NOTE

Legs have a foil wrapping to protect the High Gloss Finish. Please remove this wrapping before proceeding with Step #1, Leg Preparation.

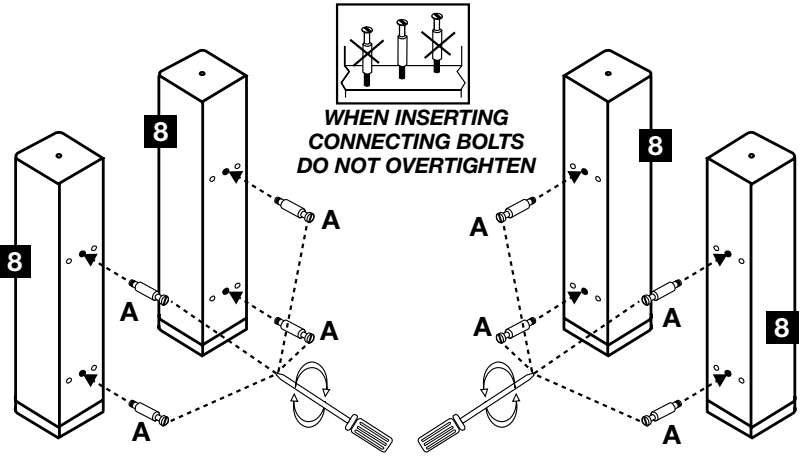
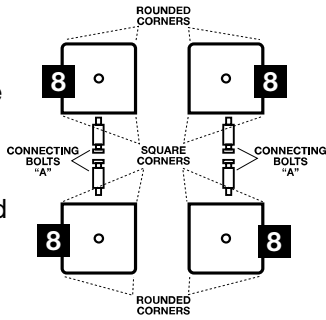
IMPORTANT NOTES & CAUTIONS/WARNINGS

- Carefully read and follow these instructions for assembly.
- Please handle parts carefully, some parts may be heavy and can have sharp edges – we recommend possibly using cloth protective gloves for extra protection.
- To protect the unit and your flooring surface we recommend working on a padded or carpeted area, you may also use the open box the unit came in for this purpose.
- For proper construction & integrity/assembly and for TV weight support and safety, all connections need to be sufficiently tight. However, do not over-tighten connections to the point of stripping screw threadings. Parts are designed to fit together tightly, however, avoid excessive force but rather align & fit panels together methodically and with patience.
- For some heavy or large units, it may be recommended for 2 people to work together on this assembly.
- Please read additional **important safety information** at the end of this instruction manual.
- We urge you to keep this manual with your unit for future reference.

Hardware for unit assembly  V Metal Adjustable Leg	A  8 Connecting Bolts	B  8 Camlocks	C  8 Wooden Dowels	D  1 Hex Key Tool	E  4 BLACK 1-3/16" Bolts for Metal Frame	F  4 Plastic Glass Cushion
	G  8 Self-Adhesive Spacer Disk for Glass Top & Wire Management	J  2 CHROME 11/16" Screw for Wire Management	L  4 Plastic Camlock Covers	VX  4 CHROME 5/8" Screws for Metal Adjustable Leg	X  2 CHROME 1-3/16" Screws for Drawer Handle	Y  1 Drawer Handle

1 LEG PREPARATION

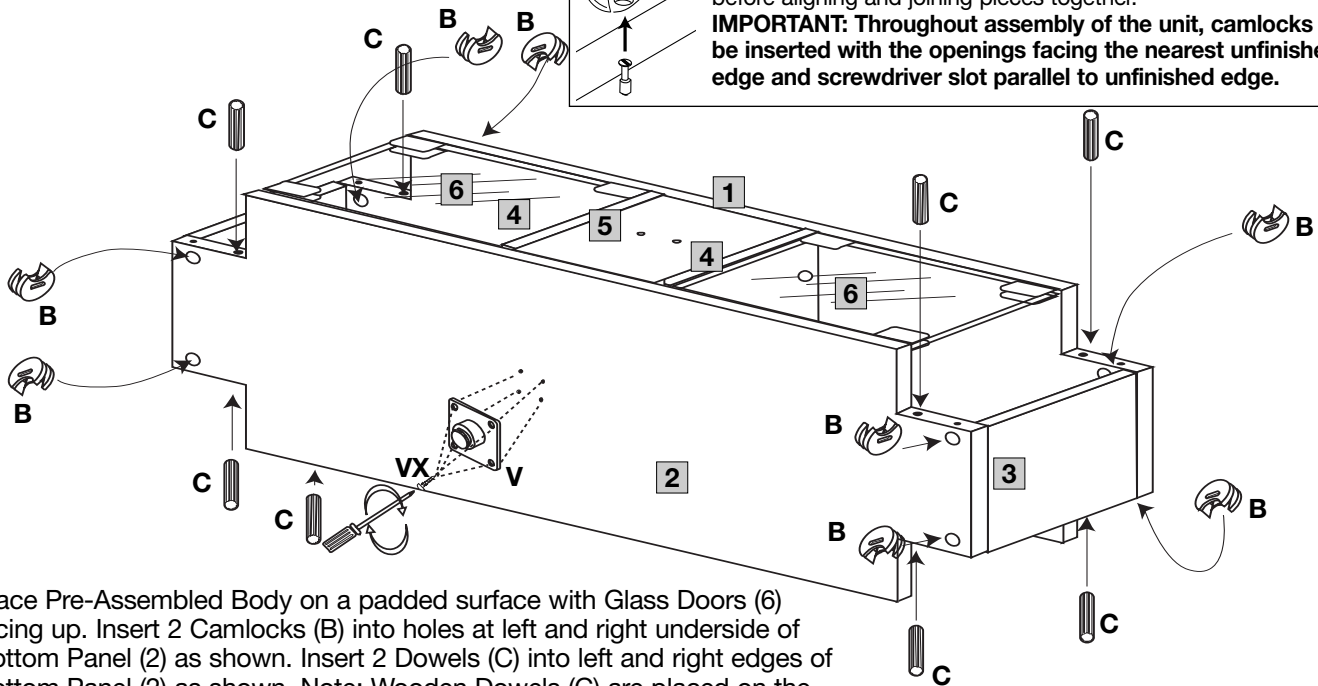
Screw Connecting Bolts (A) into each Leg as shown. Note that each leg has 2 square corners and 2 rounded corners. The rounded corners will always face out and the square cornered edge has the holes to receive the Wooden Dowels (C) and holes with factory installed threaded bushings to insert the Connecting Bolts (A).



2 BODY PREPARATION

SPECIAL NOTE

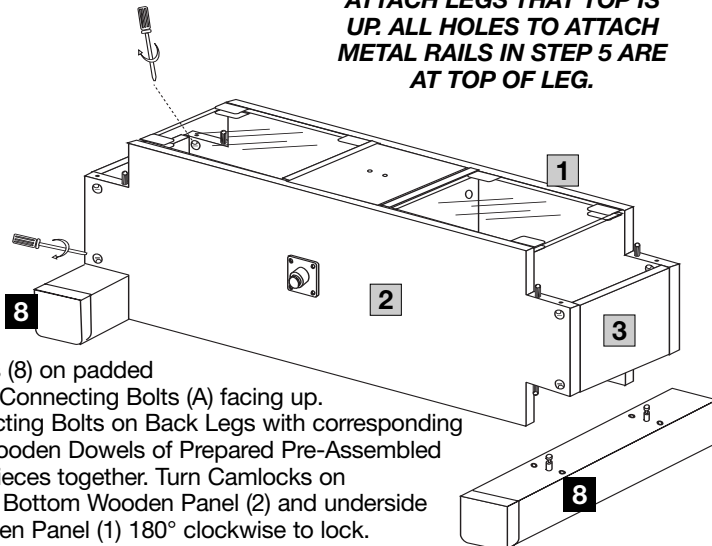
In all steps involving camlocks, please note the correct position of the camlock in the illustration at the left. Check all camlocks before aligning and joining pieces together. **IMPORTANT: Throughout assembly of the unit, camlocks must be inserted with the openings facing the nearest unfinished edge and screwdriver slot parallel to unfinished edge.**



Place Pre-Assembled Body on a padded surface with Glass Doors (6) facing up. Insert 2 Camlocks (B) into holes at left and right underside of Bottom Panel (2) as shown. Insert 2 Dowels (C) into left and right edges of Bottom Panel (2) as shown. Note: Wooden Dowels (C) are placed on the inside holes. Insert 2 Camlocks (B) into holes at left and right underside of Top Panel (1) as shown. Insert 2 Dowels (C) into left and right edges of Top Panel (1) as shown. Using 4 Screws (VX), attach Adjustable Leg (V) to Bottom Panel (2).

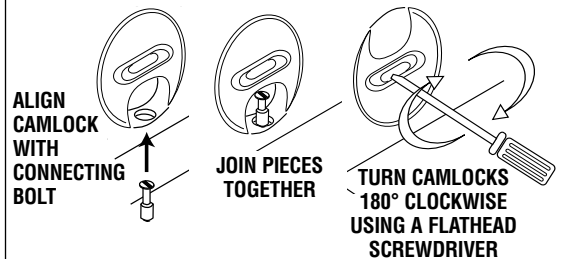
3 ATTACH BACK LEGS

MAKE SURE AS YOU ATTACH LEGS THAT TOP IS UP. ALL HOLES TO ATTACH METAL RAILS IN STEP 5 ARE AT TOP OF LEG.



Place 2 Legs (8) on padded surface with Connecting Bolts (A) facing up. Align Connecting Bolts on Back Legs with corresponding holes and Wooden Dowels of Prepared Pre-Assembled Body. Join pieces together. Turn Camlocks on underside of Bottom Wooden Panel (2) and underside of Top Wooden Panel (1) 180° clockwise to lock.

CAMLOCK/CONNECTING BOLT PROCEDURE



REMEMBER TO LOCK CAMLOCKS AFTER JOINING ALL LEGS TO UNIT, 2 CAMLOCKS PER LEG. CAMLOCKS ARE ON UNDERSIDE OF THE TOP WOODEN PANEL (1) AND THE UNDERSIDE OF BOTTOM WOODEN PANEL (2).

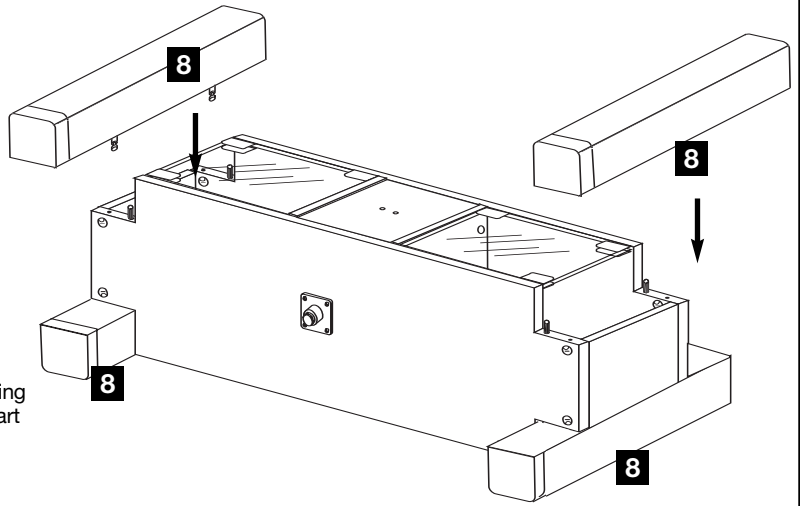
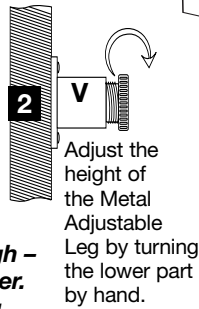
4 ATTACH FRONT LEGS

Align Connecting Bolts on Front Legs (8) with corresponding holes and Wooden Dowels of Prepared Pre-Assembled Body. Join pieces together. Turn Camlocks on underside of Bottom Wooden Panel and underside of Top Wooden Panel 180° clockwise to lock.

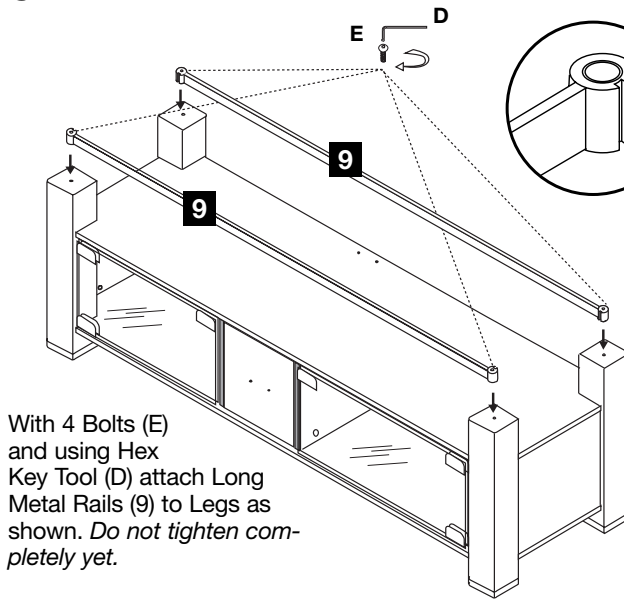
SET ADJUSTABLE LEG

Before turning unit upright, compare the height of the Metal Adjustable Leg (V) to the 4 outer legs, measuring from the leg bottom to the underside of Bottom Panel (2). Adjust the height of the leg by turning the lower part by hand.

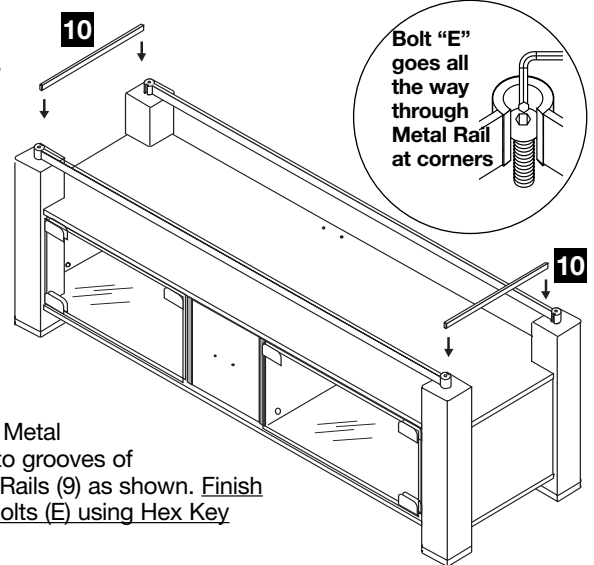
Do not make Metal Adjustable Leg too high – this will cause unit to bow upward in center. Remember to check Metal Adjustable Leg after moving the unit to a new location.



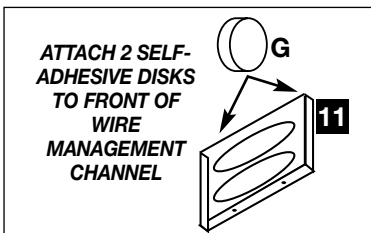
5 CONNECT LONG AND SHORT METAL RAILS



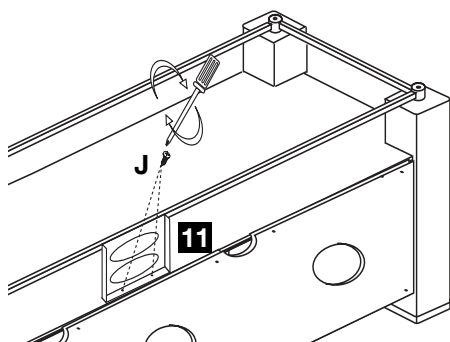
Note: Groove on Long Metal Rails must face inward.



6 ATTACH WIRE MANAGEMENT CHANNEL



Attach 2 Self-adhesive Spacer Disks (G) to Wire Management Channel (11) between Wire Management Channel (11) and Long Metal Rail as shown. Using 2 Screws (J) attach Wire Management Channel (11) to Top Wooden Panel (1).

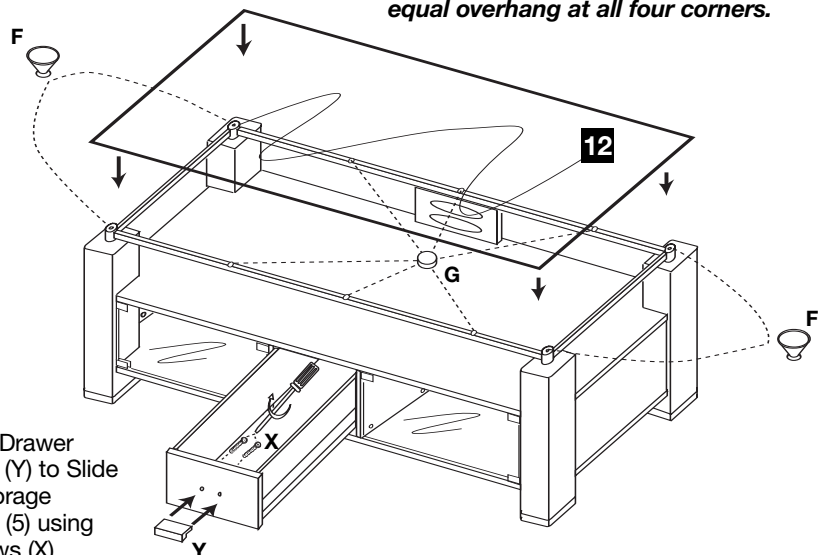


7 ADD GLASS CUSHIONS, SPACER DISKS, DRAWER HANDLE POSITION GLASS TOP

Insert 4 Plastic Glass Cushions (F) into Metal Rails at corners as shown. Attach 6 Self-adhesive Spacer Disks (G) to top edges of Long Metal Rails (9) as shown.

Place unit where desired and carefully lay Glass Top (12) on unit, centering it on Glass Cushions.

Be sure that all 4 Glass Cushions (F) are in place at each corner. Make sure Glass Top is centered on Glass Cushions (F) and resting on Spacer Disks (G) with equal overhang at all four corners.



IMPORTANT NOTICE

The glass top panel surface (Part #12) is designed to be used with TV's and other A/V equipment NOT weighing more than 250 lbs.

The loading weight needs to be evenly distributed across top panel and for optimum stability, place TV in a center position on glass top, not unbalanced to the side against edge for example.

Avoid concentration of heavy weight loading, (over 110 lbs.), on a small surface area of less than 31-1/2" in width.

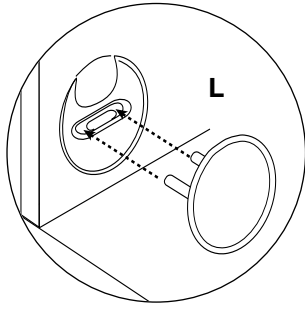
Also: Note dimensions for Glass Top Panel Surface as listed at the beginning of this manual and read the following "Important Safety Precautions".

Part #1, Top Wooden Panel, is designed to be used with A/V components NOT weighing more than 66 lbs.

Part #2, Bottom Wooden Panel, is divided into three separate compartments. The left or right sections, bottom surface behind glass doors, are designed to be used with A/V components NOT weighing more than 44 lbs. per side.

Part #5, Slide-out Storage Drawer, is designed to be used for general storage of Media-Tape, A/V accessories etc. NOT weighing more than 19.5 lbs. total per drawer.

HOWEVER, for the total unit loading capacity, DO NOT exceed a total of 360 lbs.



**ADD CAMLOCK COVERS
(L) TO ALL LOCKED
VISIBLE CAMLOCKS**

IMPORTANT SAFETY PRECAUTIONS

Please carefully read & follow these ***important safety information notes*** for proper use of the furniture you have just assembled. They are **designed to avoid unsafe conditions** that can result in property damage, bodily injury or death. We therefore urge strict adherence to the following basic principals:

- Install this unit on a flat & level surface only.
- Avoid placing unit in direct sunlight or near heating source. We recommend not placing unit directly against wall but rather leaving a narrow space between unit and wall for proper ventilation of your A/V equipment.
- Do not exceed the above recommended weight loading limits as this can result in sagging or structural failure of the supporting panel leading to unsafe conditions.
- TV screen sizes are measured diagonally, therefore, base foot-print size for specific TV's can not be determined by screen size as they vary from manufacturer to manufacturer. Rather you will need to measure the TV's base foot print and compare it to the glass top panel surface size of your furniture as listed in this manual.
- Make sure to place TV **within** the surface area of the top panel, a bit inward from the front edge and centered. **Never** use with a TV that is **too large. The TV base foot print surface must be able to sit completely on the top panel surface.**
- When choosing locations for stacking A/V components on shelves, make sure to place the heaviest A/V equipment on the lowest possible shelves/bottom panels first.
- **Children should never be allowed to climb on or play with this furniture or/and the TV.** This can result in an unsafe situation which may lead to the TV and/or the furniture itself to become unsteady, slip, tip or fall over. Avoid using higher shelves or the top surface of the TV for objects that may tempt children to reach and climb. Such items can include toys, food, as well as remote controls, etc. Proper supervision and common sense is always required.
- Glass surfaces and doors are "Tempered." This is a special process for achieving strength and safety. Although durable & solid we recommend avoiding bumping into glass with force or dropping or chipping edges etc. Special caution should be given to glass corners, both, for protection of glass as well as most importantly to avoid the possibility of injuries resulting from strong impacts against corners especially with children. Doors should be opened & closed gently. (Tempered glass is designed to shatter upon very strong impact and rather than producing sharp knife-like dangerous edges, it turns instead into small pebble-like pieces.)
- **Moving the unit:** Do not drag unit when moving, especially not on a carpeted surface or on a rug. It is always recommended instead to lift unit from both ends with a friend's help. For the sake of safety and to avoid damages, we recommend you remove the TV and all A/V components prior to moving this stand. It is a good idea to remove the glass panel surfaces as well. If this is not possible please use much caution and good judgment and seek help to ensure stability and safety as the stand is being moved. Make sure afterwards to properly re-adjust glass top and all equipment, centered and stable as originally instructed above.

Congratulations and enjoy your new ELITE product!

To clean your unit, apply window cleaner with soft tissue. This will also eliminate slight surface abrasions or scratches that may have occurred in shipping or handling.

Distributed by: Elite Industries, 77 Gould Street • Bayonne, NJ 07002, Tel.: 201-436-1120 • Fax: 201-436-6960
Elite Industries ensures complete satisfaction with this product. In the event of missing or damaged parts call toll free,

**Customer service hours: 8:45-4:45, Monday-Friday, EST., 1-800 ELITE-48
VISIT OUR WEBSITE AT: www.elite-inds.com**