



## ASSEMBLY INSTRUCTIONS

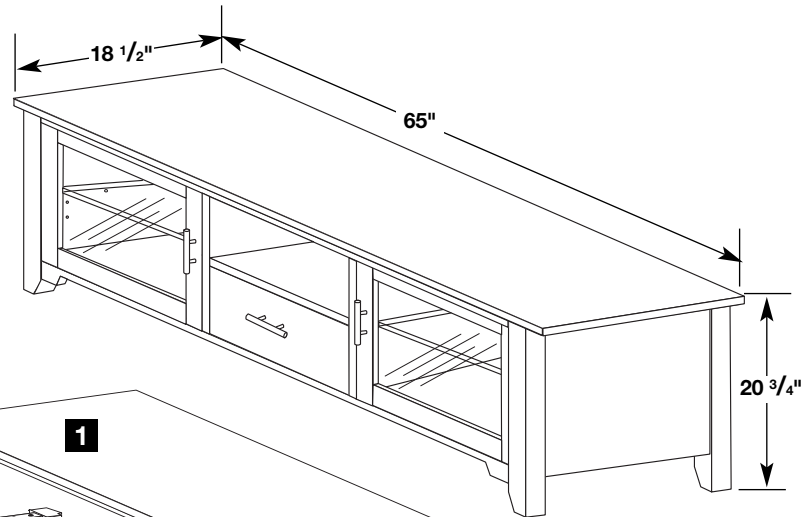
65" WIDE "CREDENZA" UNIT  
TV STAND and AUDIO RACK COMBO  
OVERALL DIMENSIONS: 20<sup>3</sup>/<sub>4</sub>" H x 65" W x 18<sup>1</sup>/<sub>2</sub>" D

**EL-786:** Oak Veneer

Thank you for purchasing this Elite product.

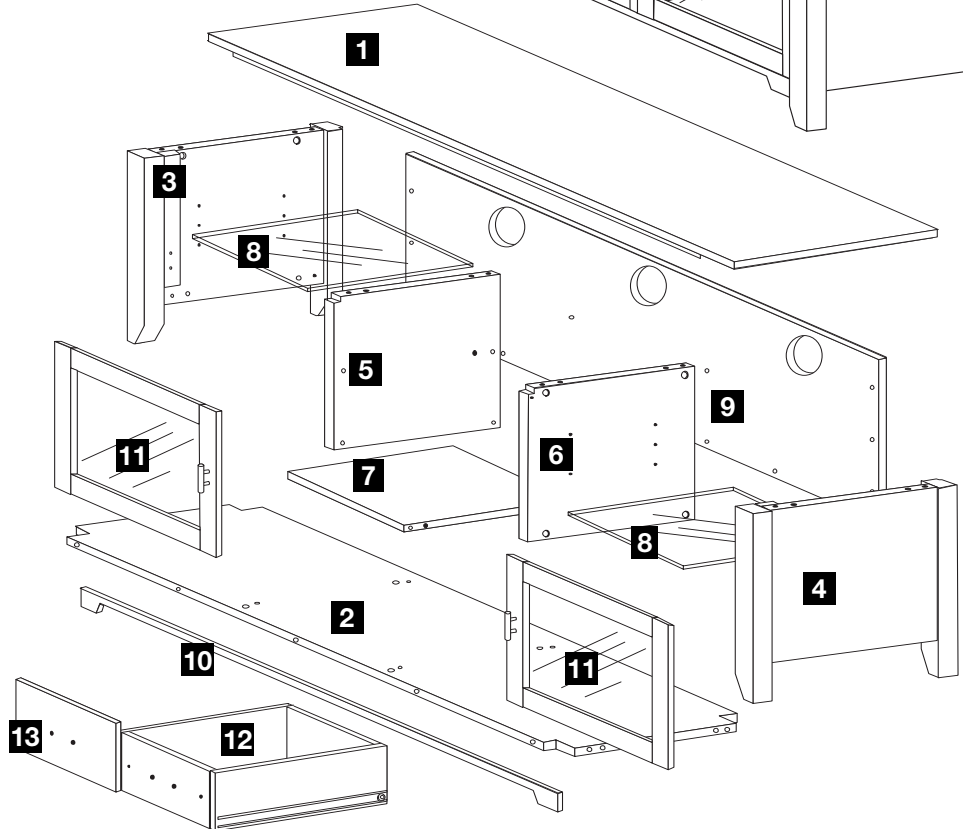
You will need the following tools:

Phillips Head Screw Driver • Straight Blade Screw Driver • Rubber Padded Hammer or Mallet

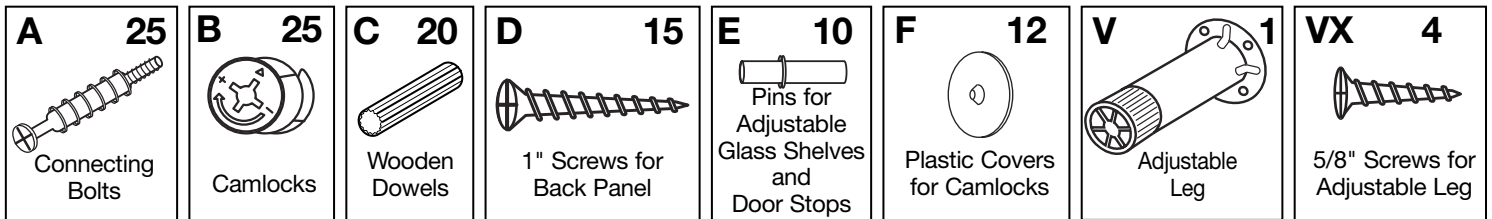


## PARTS

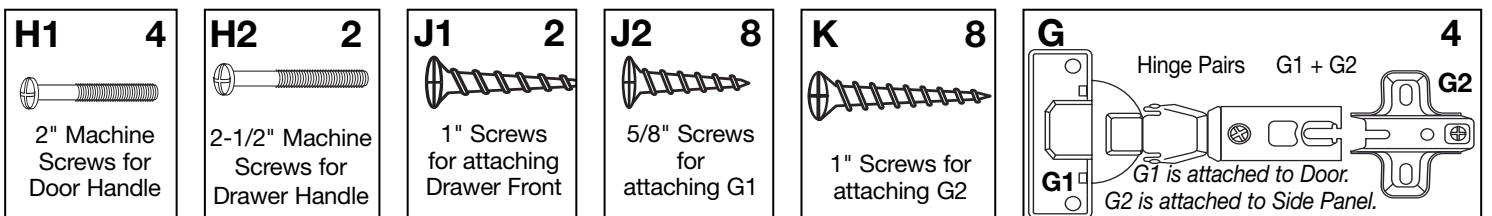
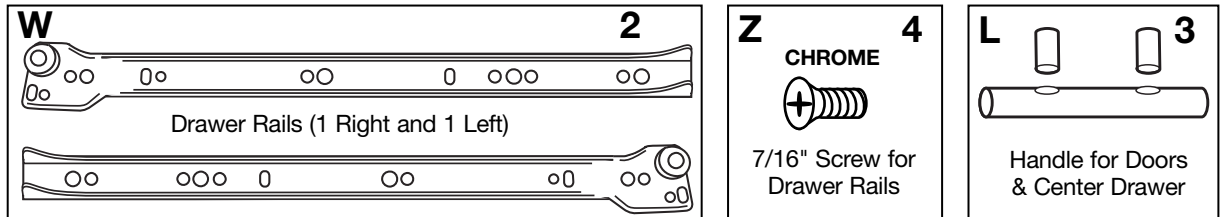
1. Top Panel
2. Bottom Panel
3. Left Side Panel
4. Right Side Panel
5. Left Vertical Divider Panel
6. Right Vertical Divider Panel
7. Center Fixed Shelf
8. Glass Adjustable Shelf (2 identical)
9. Back Panel
10. Bottom Front Rail
11. Glass Door with Wooden Frame (2 identical)
12. Center Drawer
13. Center Drawer Front



## Hardware for unit assembly



## Hardware for Center Drawer assembly and Door assembly



## IMPORTANT NOTES & CAUTIONS/WARNINGS

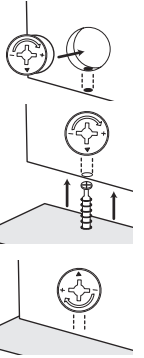
- Carefully read and follow these instructions for assembly.
- Please handle parts carefully, some parts may be heavy and can have sharp edges – we recommend possibly using cloth protective gloves for extra protection.
- To protect the unit and your flooring surface we recommend working on a padded or carpeted area, you may also use the open box the unit came in for this purpose.
- For proper construction & integrity/assembly and for TV weight support and safety, all connections need to be sufficiently tight. However, do not over-tighten connections to the point of stripping screw threads. Parts are designed to fit together tightly, however, avoid excessive force but rather align & fit panels together methodically and with patience.
- For some heavy or large units, it may be recommended for 2 people to work together on this assembly.
- It is extremely important to attach the **BACK PANEL** as instructed within this manual. Such panels are crucial for the stability and structural support of the unit.
- Please read additional **important safety information** at the end of this instruction manual.
- We urge you to keep this manual with your unit for future reference.

## CAMLOCK/CONNECTING BOLT PROCEDURE

Be sure to insert Camlocks with the small arrow facing the edge.

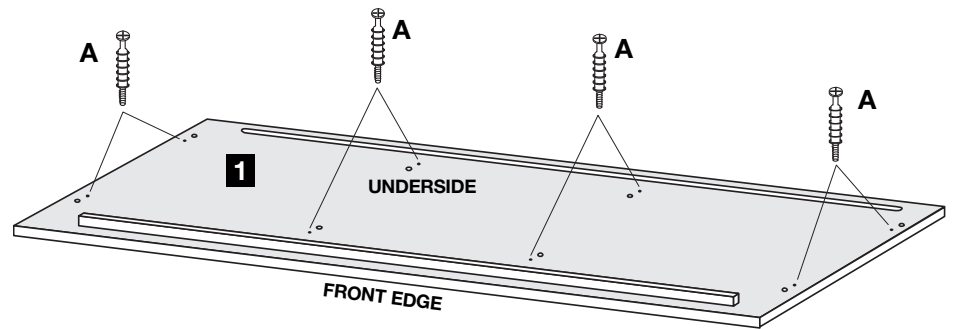
Align Connecting Bolt with Camlock and join pieces together.

Turn Camlock 180° clockwise to lock. The long curved arrow will now be on the edge.



## 1 TOP PANEL PREPARATION

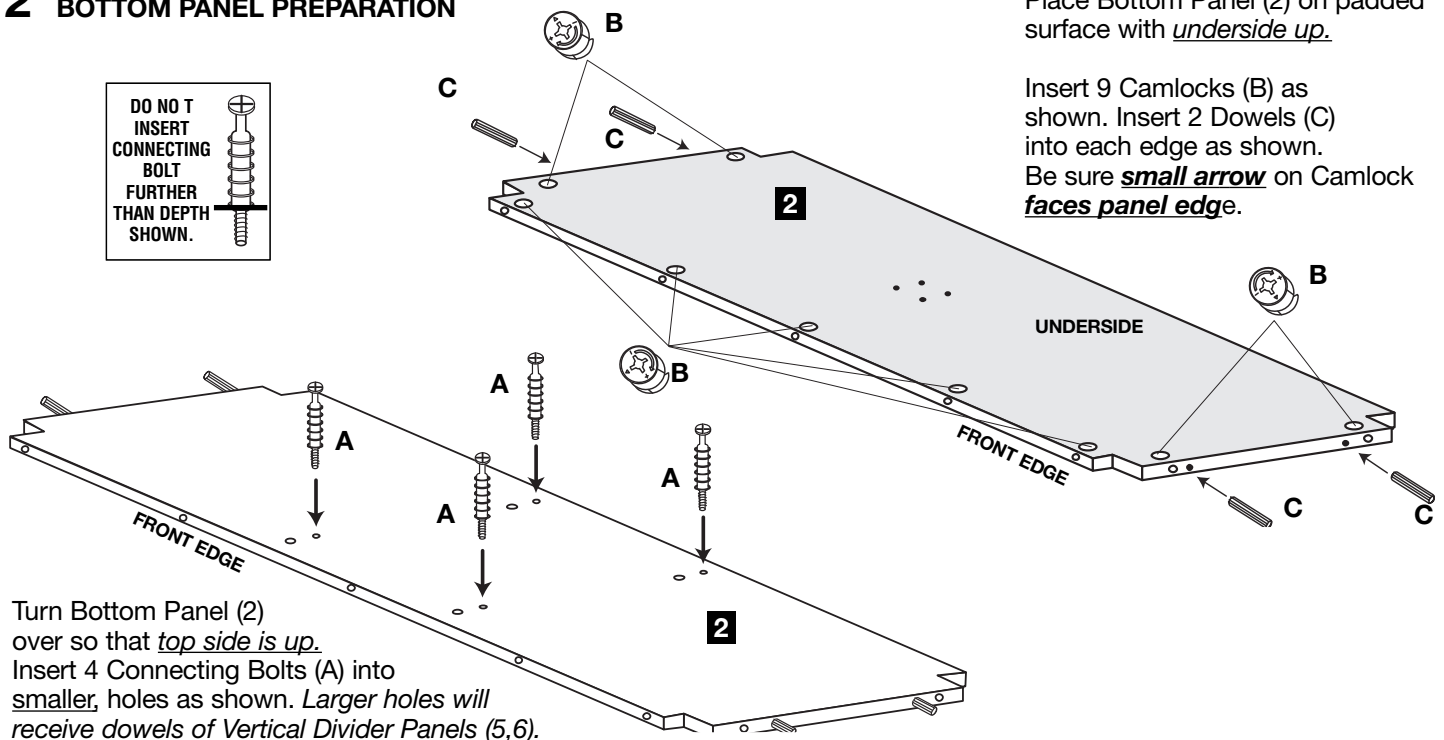
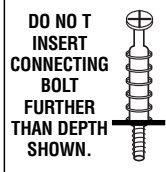
Place Top Panel (1) on padded surface with underside up. Insert 8 Connecting Bolts (A) as shown. NOTE: Holes for Connecting Bolts on outer edges are the smaller, inner holes. Holes for center Connecting Bolts are the smaller, outer holes.



## 2 BOTTOM PANEL PREPARATION

Place Bottom Panel (2) on padded surface with underside up.

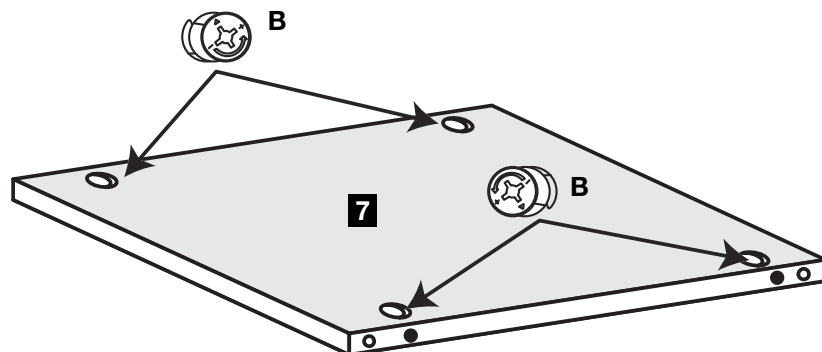
Insert 9 Camlocks (B) as shown. Insert 2 Dowels (C) into each edge as shown. Be sure small arrow on Camlock faces panel edge.



Turn Bottom Panel (2) over so that top side is up. Insert 4 Connecting Bolts (A) into smaller holes as shown. Larger holes will receive dowels of Vertical Divider Panels (5,6).

## 3 FIXED SHELF PREPARATION

On the underside of Center Fixed Shelf (7) insert 4 Camlocks (B) as shown.



#### 4 VERTICAL DIVIDER PANEL PREPARATION

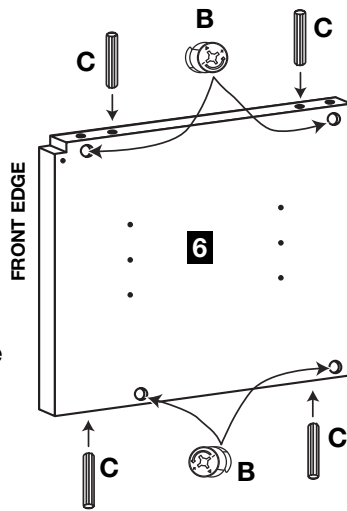
**NOTE:** Each Vertical Divider Panel (5,6) has:

- a **FRONT** edge
- an **INNER FACE** (where Drawer (12) will rest)
- an **OUTER FACE** (where Door (11) will meet)

##### A. Prepare OUTER FACE

Insert 2 Wooden Dowels (C) into both the top edge and bottom edge of Vertical Divider Panel (6).

Insert 4 Camlocks (B) as shown.



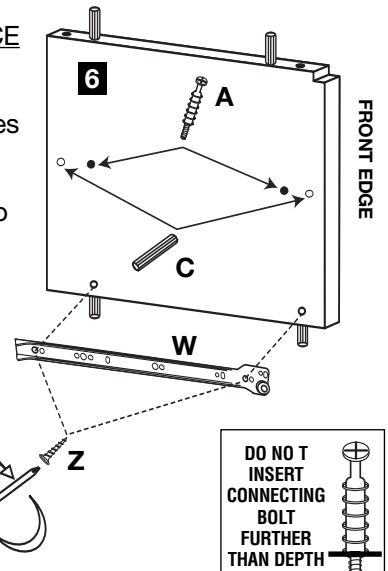
##### B. Prepare INNER FACE

Insert 2 Connecting Bolts (A) into *inner* holes as shown.

Insert 2 Dowels (C) into *outer* holes as shown.

Attach Drawer Rail (W) using 2 Screws (Z).

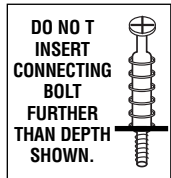
*Make sure roller is on front edge.*



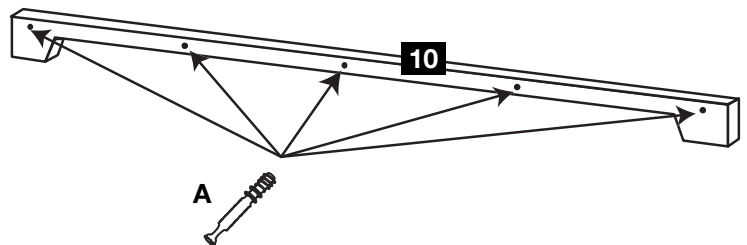
**DO NOT INSERT CONNECTING BOLT FURTHER THAN DEPTH SHOWN.**

Repeat Steps A and B for second Vertical Divider Panel (5).

#### 5 BOTTOM FRONT RAIL PREPARATION



Insert 5 Connecting Bolts (A) into back of Bottom Front Rail (10) as shown.



#### CAMLOCK CONNECTING BOLT PROCEDURE

Be sure to insert Camlocks with the *small arrow facing the edge.*

Align Connecting Bolt with Camlock and join pieces together.

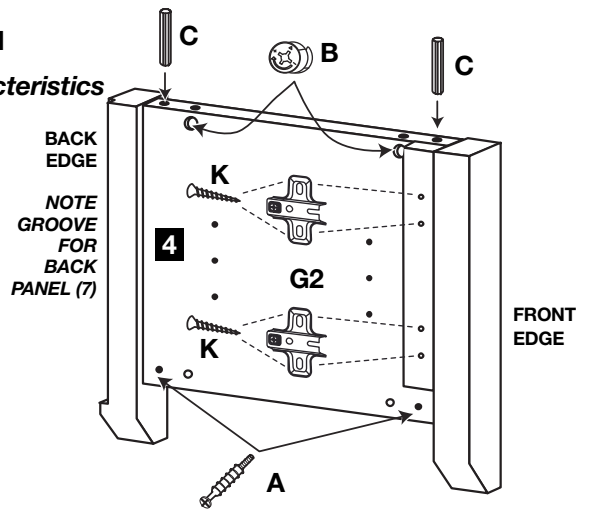
Turn Camlock 180° clockwise to lock. *The long curved arrow will now be on the edge.*

#### 6 RIGHT AND LEFT SIDE PANEL PREPARATION

**Please note in the diagram at the right, the characteristics of the front and back edges of the side panels.**

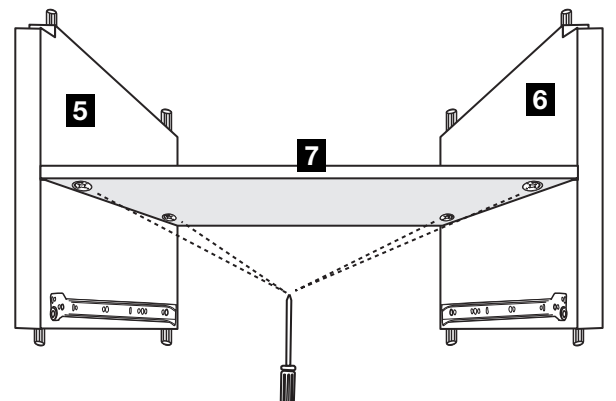
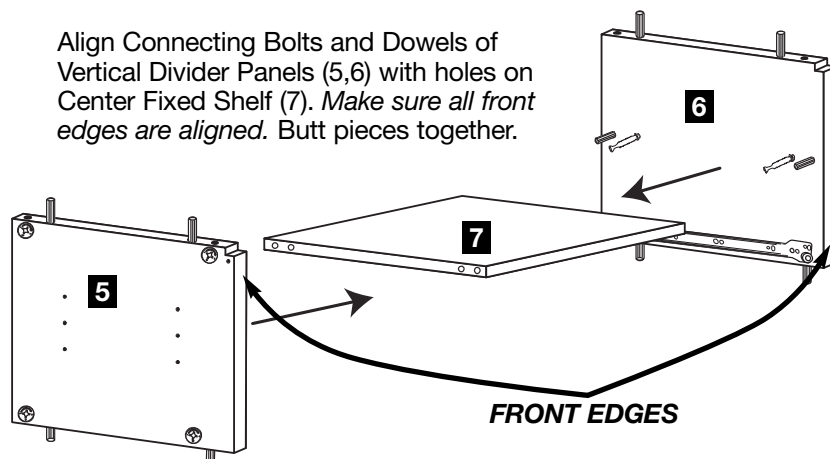
- Insert 2 Dowels (C) into outer holes in top edge of Right Side Panel (4).
- Insert 2 Camlocks (B) into top of Right Side Panel (4) as shown.
- Insert 2 Connecting Bolts (A) into smaller, outer holes on bottom of Right Side Panel (4) as indicated.
- Attach a G2 part of Hinge unit using 2 **long** screws K to the top front portion of the inner brace. Attach another G2 part of Hinge unit using 2 long screws K to the bottom front portion of the inner brace.

Repeat steps A through D for the Left Side Panel (3).



#### 7 ATTACH FIXED SHELF TO VERTICAL DIVIDER PANELS

Align Connecting Bolts and Dowels of Vertical Divider Panels (5,6) with holes on Center Fixed Shelf (7). *Make sure all front edges are aligned.* Butt pieces together.



On underside of Fixed Shelf (7), turn all Camlocks 180° clockwise to lock.

## 8 ATTACH BOTTOM PANEL TO VERTICAL DIVIDERS, BOTTOM FRONT RAIL AND SIDE PANELS

**A**

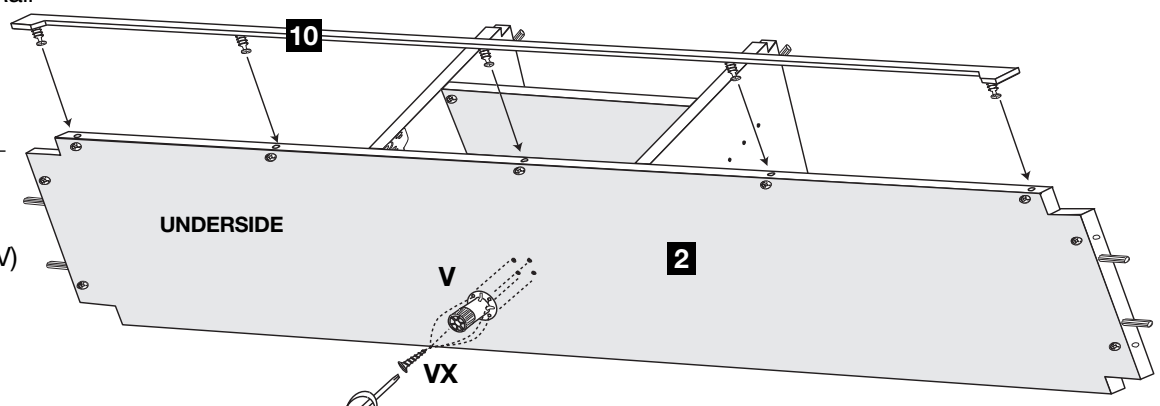
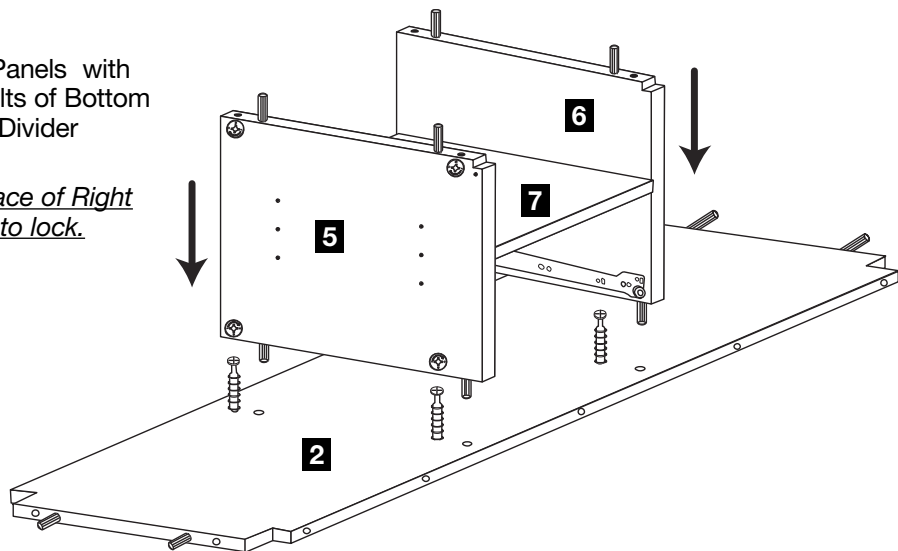
Align dowels of Right and Left Vertical Divider Panels with holes of Bottom Panel (2). Align Connecting Bolts of Bottom Panel with Camlocks of Right and Left Vertical Divider Panels.

Butt pieces together. Turn Camlocks on outer face of Right and Left Vertical Divider Panels 180° clockwise to lock.

**B**

Turn unit so back edges are resting on padded surface. Align Connecting Bolts on Bottom Front Rail (10) with corresponding holes on front edge of Bottom Panel (2). Butt pieces together. Turn Camlocks on underside of Bottom Panel 180° clockwise to lock.

Attach Adjustable Leg (V) using 4 Screws (VX).

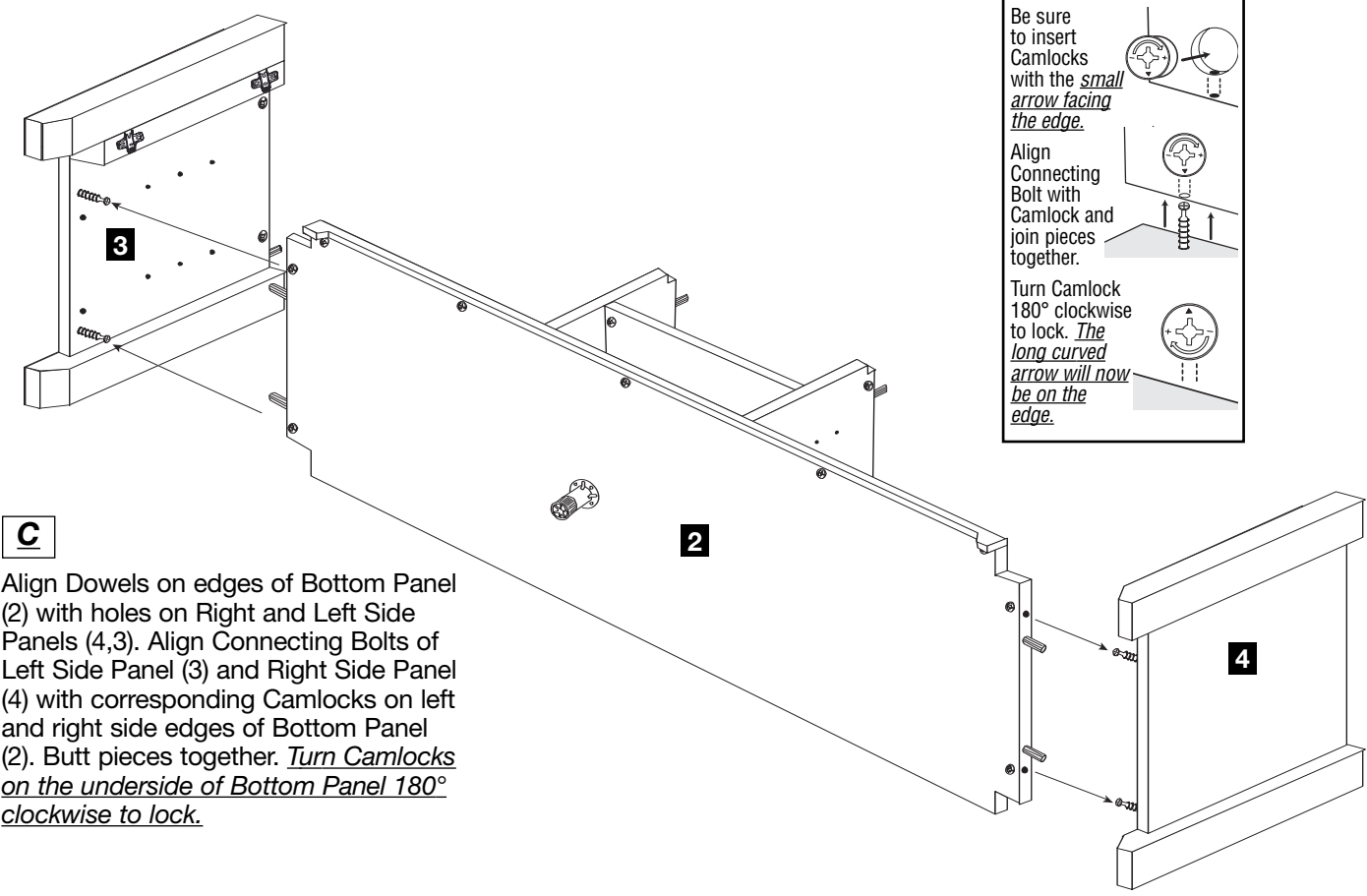


**CAMLOCK CONNECTING BOLT PROCEDURE**

Be sure to insert Camlocks with the *small arrow facing the edge.*

Align Connecting Bolt with Camlock and join pieces together.

Turn Camlock 180° clockwise to lock. *The long curved arrow will now be on the edge.*



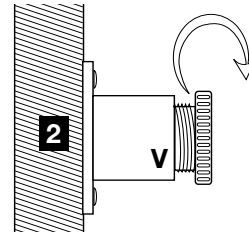
**C**

Align Dowels on edges of Bottom Panel (2) with holes on Right and Left Side Panels (4,3). Align Connecting Bolts of Left Side Panel (3) and Right Side Panel (4) with corresponding Camlocks on left and right side edges of Bottom Panel (2). Butt pieces together. Turn Camlocks on the underside of Bottom Panel 180° clockwise to lock.

## 9 SET ADJUSTABLE LEG

Before turning unit upright, compare the height of the Metal Adjustable Leg to the 4 outer legs, measuring from the leg bottom to the underside of Panel 2. Adjust the height of the leg by turning the lower part by hand.

**Do not make Metal Adjustable Leg too high – this will cause unit to bow upward in center. Remember to check Metal Adjustable Leg after moving the unit to a new location.**

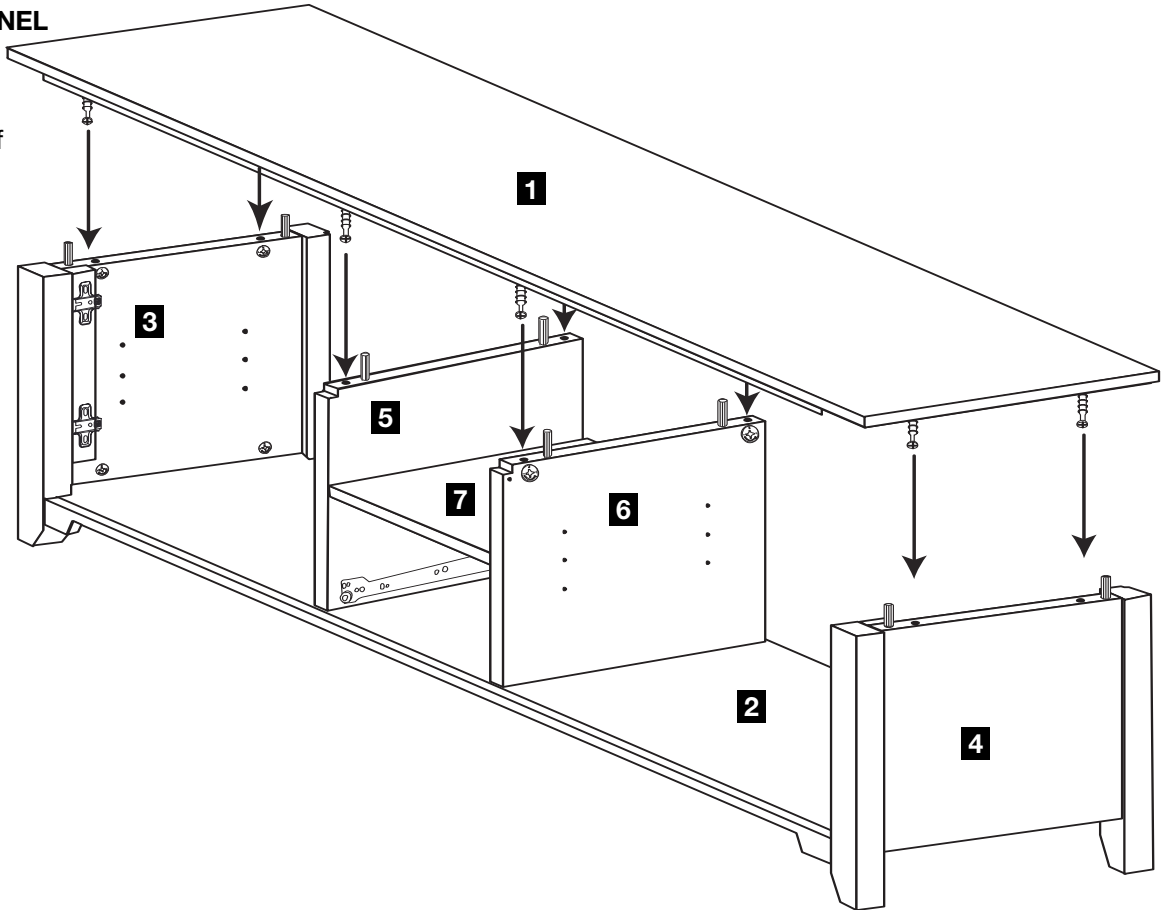


Adjust the height of the Metal Adjustable Leg by turning the lower part by hand.

## 10 ATTACH TOP PANEL

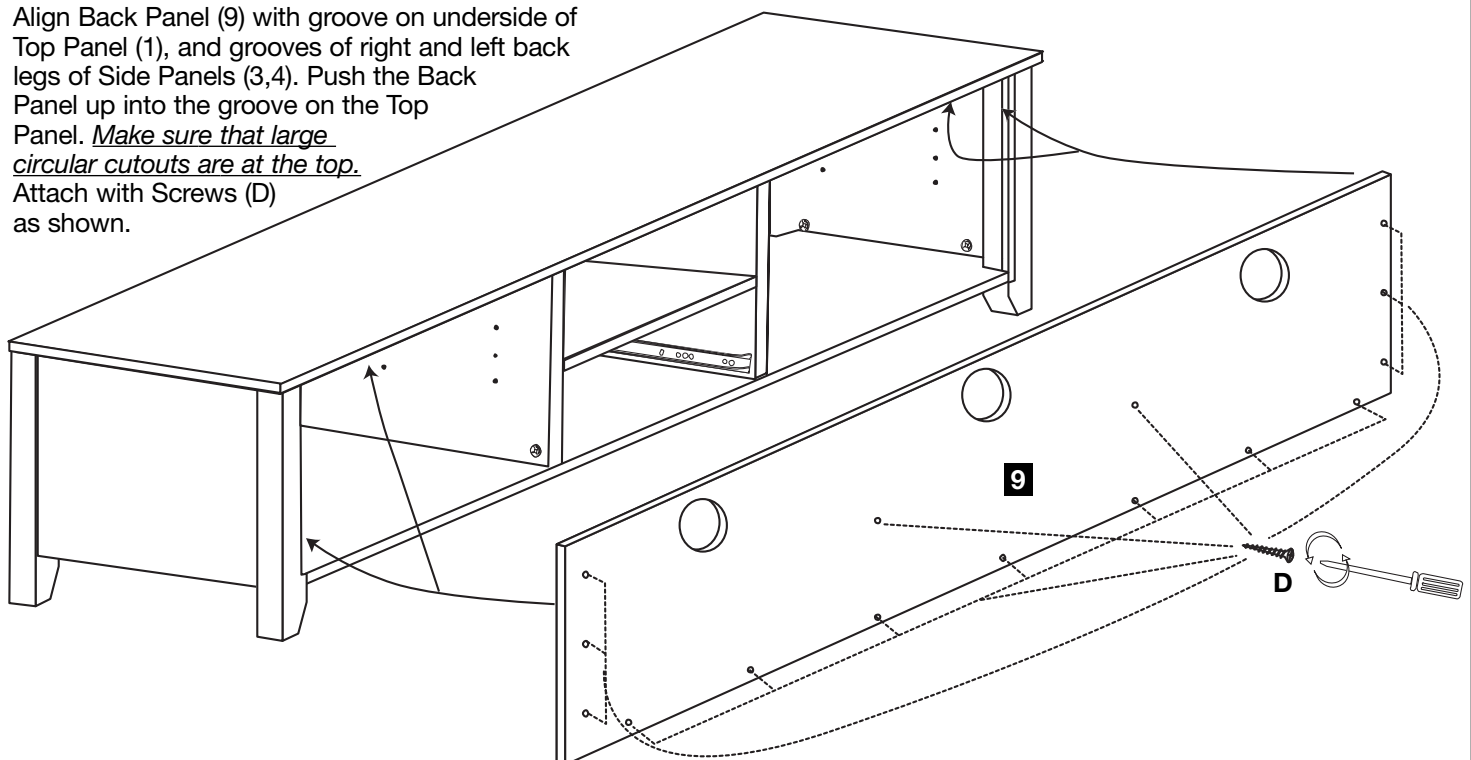
Align all Connecting Bolts (A) on underside of Top Panel (1) with Camlocks on Right and Left Vertical Divider Panels (5,6) and Right and Left Side Panels (4,3). Align all Dowels of Right and Left Vertical Divider Panels (5,6) and Right and Left Side Panels (4,3) with corresponding holes in Top Panel (1). Butt pieces together.

Turn all appropriate Camlocks 180° clockwise to lock (left and right Vertical Divider Panels, Right and Left Side Panels).



## 11 ATTACH BACK PANEL

Align Back Panel (9) with groove on underside of Top Panel (1), and grooves of right and left back legs of Side Panels (3,4). Push the Back Panel up into the groove on the Top Panel. Make sure that large circular cutouts are at the top. Attach with Screws (D) as shown.

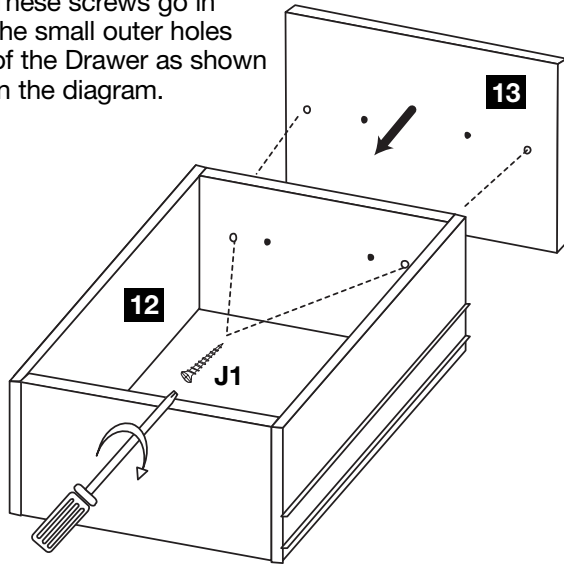


## 12 ATTACH DRAWER FRONT AND HANDLE

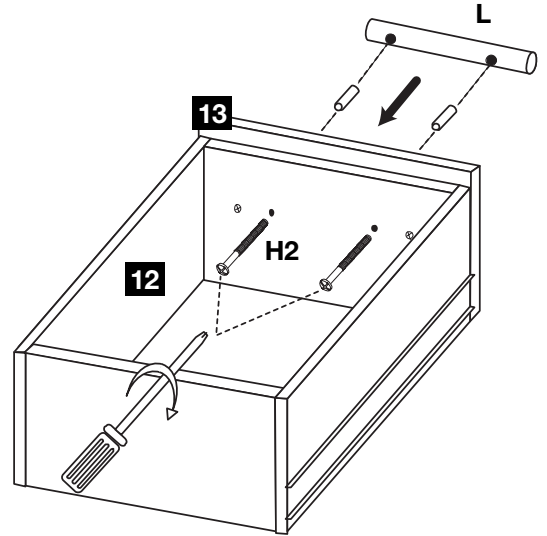
**NOTE: It is very important to attach the Drawer Front BEFORE attaching Drawer Handle.**

Attach Drawer Front (13) using 2 Screws J1.

These screws go in the small outer holes of the Drawer as shown in the diagram.



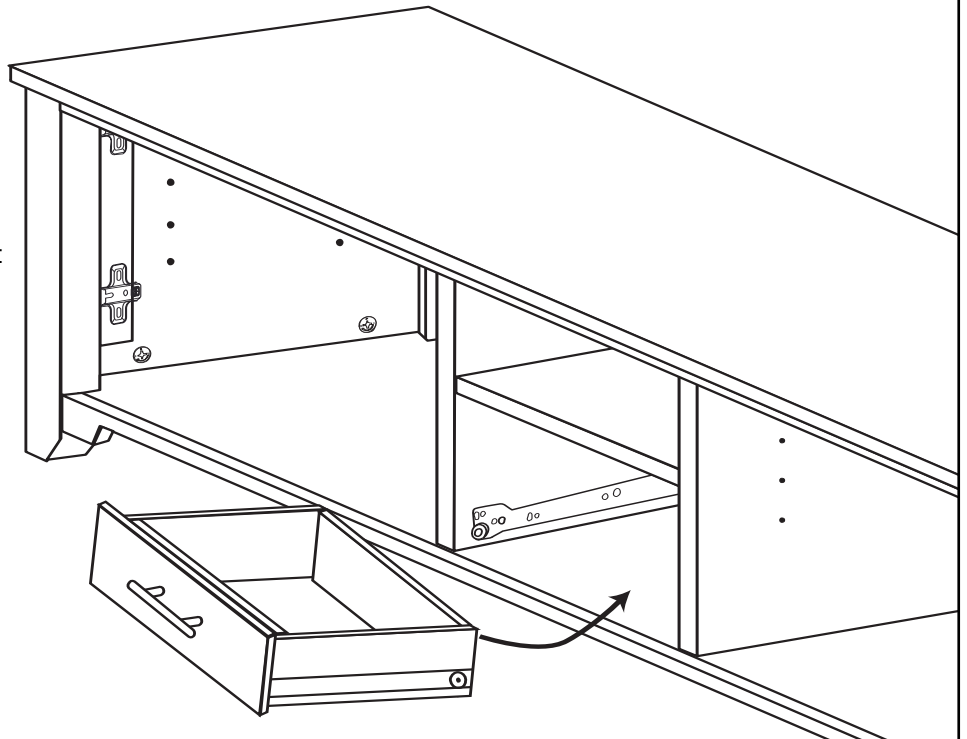
Attach the Drawer Handle (L) using 2 Machine Screws (H2). Screws are threaded through the back side of both drawer front panels, through the vertical posts, and into the horizontal bar of the handle.



## 13 INSTALL DRAWER INTO UNIT

**NOTE: Before installing Drawers, please read and follow instructions in Step 9 regarding Adjustable Leg.**

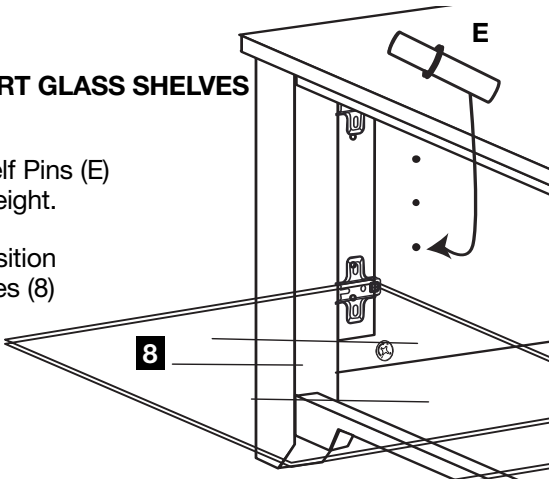
Hold Drawer with back edge at a downward angle. Align right and left rollers of drawer with right and left rollers of Rail. Slide Drawer onto Rails and into unit.



## 14 INSERT GLASS SHELVES

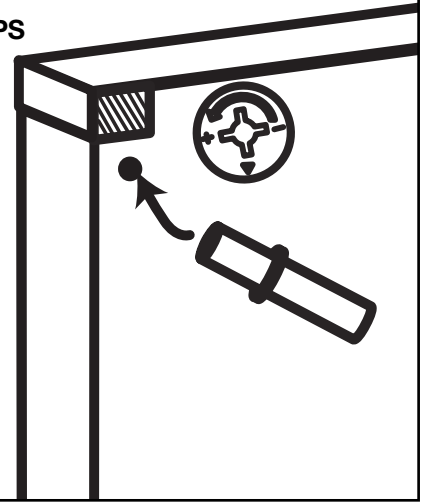
Position Shelf Pins (E) at desired height.

Carefully position Glass Shelves (8) onto Shelf Pins.

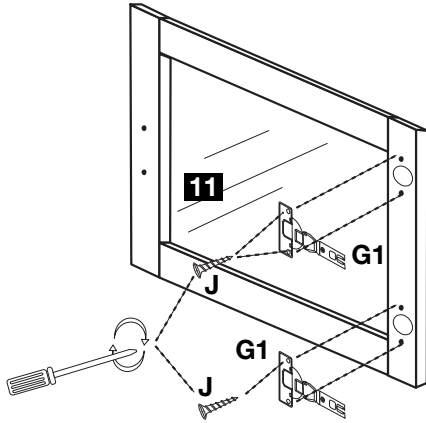


## 15 ADD DOOR STOPS

Use the 2 remaining Shelf Pins as Door Stops by inserting into small top holes on Right and Left Vertical Divider Panels.

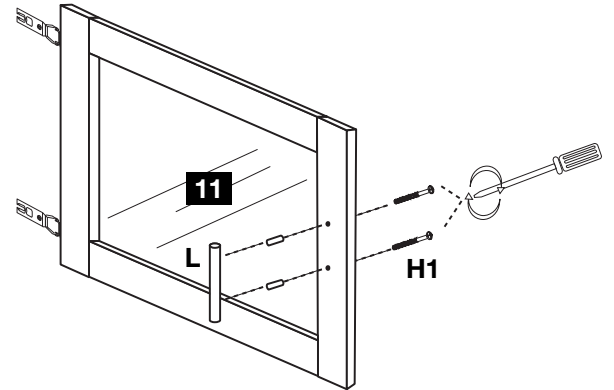


## 16 DOOR PREPARATION



Attach G1 portion of Hinge unit to inside upper and lower portions of Door (11) using 4 short Screws (J2).

Repeat for second Door.



Attach Door Handle (L) to Door (11) using 2 Machine Screws (H1). Thread each screw through back of door and short door posts into long handle portion of Door Handle (L).

Repeat for second Door.

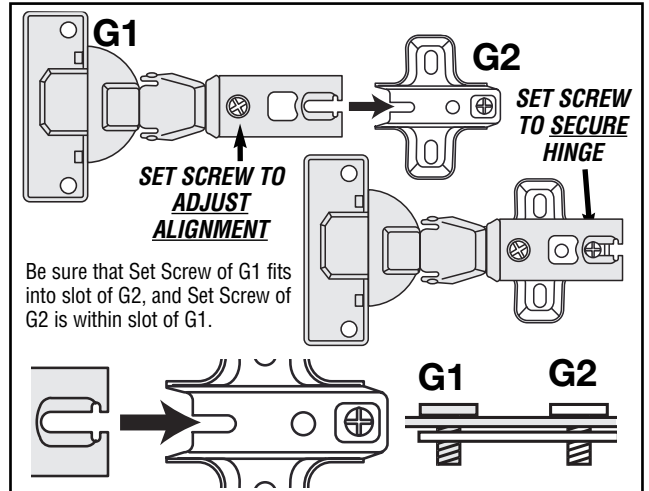
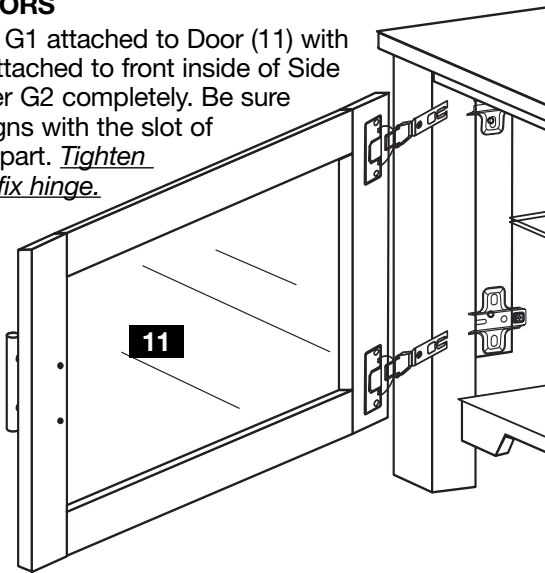
## 17 ATTACH DOORS

Align 2 Hinge parts G1 attached to Door (11) with 2 Hinge parts G2 attached to front inside of Side Panel. Slide G1 over G2 completely. Be sure each Set Screw aligns with the slot of the opposite hinge part. Tighten set screw of G2 to fix hinge.

Doors should open easily, and close flush with each other. Use screw on G1 to adjust hinge alignment.

SEE DIAGRAM AT RIGHT.

Repeat for second door.



## 18 ADD CAMLOCK COVERS

Add Camlock Covers (F) to all visible Camlocks on vertical panels



## IMPORTANT NOTICE

The top panel surface (Part #1) is designed to be used with TV's and other A/V equipment NOT weighing more than 250 lbs.

The loading weight needs to be evenly distributed across top panel and for optimum stability, place TV in a center position on Top Panel, not unbalanced to the side against edge for example.

Avoid concentration of heavy weight loading, (over 110 lbs.), on a small surface area of less than 31<sup>1</sup>/<sub>2</sub>" in width.

Also: Note dimensions for Top Panel Surface as listed at the beginning of this manual and read the following "Important Safety Precautions".

Bottom Wooden Panel (Part #2), is divided into three separate compartments. The left or right sections, bottom surface behind glass doors, are designed to be used with A/V components NOT weighing more than 44 lbs. per side.

Part #6, Adjustable Shelves, are designed to be used with A/V components NOT weighing more than 33 lbs. per shelf.

Part #12, Slide-out Storage Drawer, is designed to be used for general storage of Media-Tape, A/V accessories etc. NOT weighing more than 19.5 lbs. total.

***HOWEVER, for the total unit loading capacity, DO NOT exceed a total of 360 lbs.***

## IMPORTANT SAFETY PRECAUTIONS

Please carefully read & follow these **important safety information notes** for proper use of the furniture you have just assembled. They are **designed to avoid unsafe conditions** that can result in property damage, bodily injury or death. We therefore urge strict adherence to the following basic principals:

- Install this unit on a flat & level surface only.
- Avoid placing unit in direct sunlight or near heating source. We recommend not placing unit directly against wall but rather leaving a narrow space between unit and wall for proper ventilation of your A/V equipment.
- Do not exceed the above recommended weight loading limits as this can result in sagging or structural failure of the supporting panel leading to unsafe conditions.
- TV screen sizes are measured diagonally, therefore, base foot-print size for specific TV's can not be determined by screen size as they vary from manufacturer to manufacturer. Rather you will need to measure the TV's base foot print and compare it to the top panel surface size of your furniture as listed in this manual.
- Make sure to place TV **within** the surface area of the top panel, a bit inward from the front edge and centered. **Never** use with a TV that is **too large. The TV base foot print surface must be able to sit completely on the top panel surface.**
- When choosing locations for stacking A/V components on shelves, make sure to place the heaviest A/V equipment on the lowest possible shelves/bottom panels first.
- **Children should never be allowed to climb on or play with this furniture or/and the TV.** This can result in an unsafe situation which may lead to the TV and/or the furniture itself to become unsteady, slip, tip or fall over. Avoid using higher shelves or the top surface of the TV for objects that may tempt children to reach and climb. Such items can include toys, food, as well as remote controls, etc. Proper supervision and common sense is always required.
- We recommend avoiding bumping into glass with force or dropping or chipping edges etc. Special caution should be given to glass corners, both, for protection of glass as well as most importantly to avoid the possibility of injuries resulting from strong impacts against corners especially with children. Doors should be opened & closed gently. (Tempered glass is designed to shatter upon very strong impact and rather than producing sharp knife-like dangerous edges, it turns instead into small pebble-like pieces.)
- **Moving the unit:** Do not drag unit when moving, especially not on a carpeted surface or on a rug. It is always recommended instead to lift unit from both ends with a friend's help. For the sake of safety and to avoid damages, we recommend you remove the TV and all A/V components prior to moving this stand. If this is not possible please use much caution and good judgment and seek help to ensure stability and safety as the stand is being moved. Make sure afterwards to properly re-adjust all equipment, centered and stable as originally instructed above.

*Congratulations and enjoy your new ELITE product!*

To clean your unit, apply window cleaner with soft tissue. This will also eliminate slight surface abrasions or scratches that may have occurred in shipping or handling.

Distributed by: Elite Industries, 77 Gould Street • Bayonne, NJ 07002, Tel.: 201-436-1120 • Fax: 201-436-6960

Elite Industries ensures complete satisfaction with this product. In the event of missing or damaged parts call toll free, **Customer service hours: 8:45-4:45, Monday-Friday, EST., 1-800-ELITE-48**

**VISIT OUR WEBSITE AT: [www.elite-ind.com](http://www.elite-ind.com)**