

HIGH PERFORMANCE
FURNITURE FOR YOUR
HOME THEATER



8/2008

OdeonTM 9940

Assembly Instructions

Odeon™ Home Theater Furniture

www.bdiusa.com
customerservice@bdiusa.com

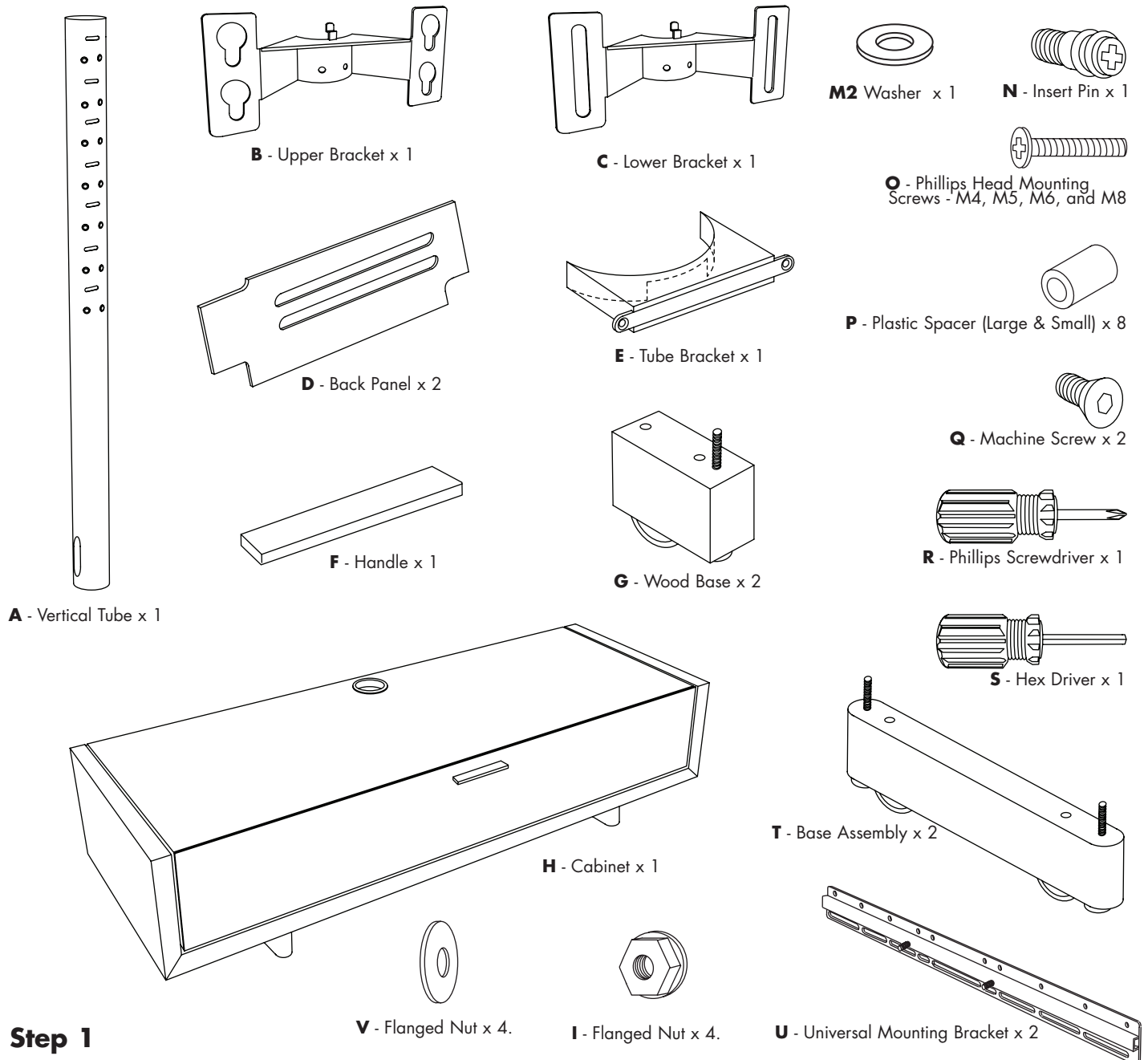
Placement and Maintenance

Odeon™ Home Theater Furniture is designed for indoor use on level floors. Clean glass with glass cleaner, and steel parts and wood veneer with a moist cloth.

Your Odeon™ Home Theater Furniture is engineered for easy assembly. Carefully follow this procedure to prevent any damage.

Designed by Matthew Weatherly.

'Odeon' is a trademark of Becker Designed, Inc. All rights reserved. ©2008 Becker Designed, Inc.



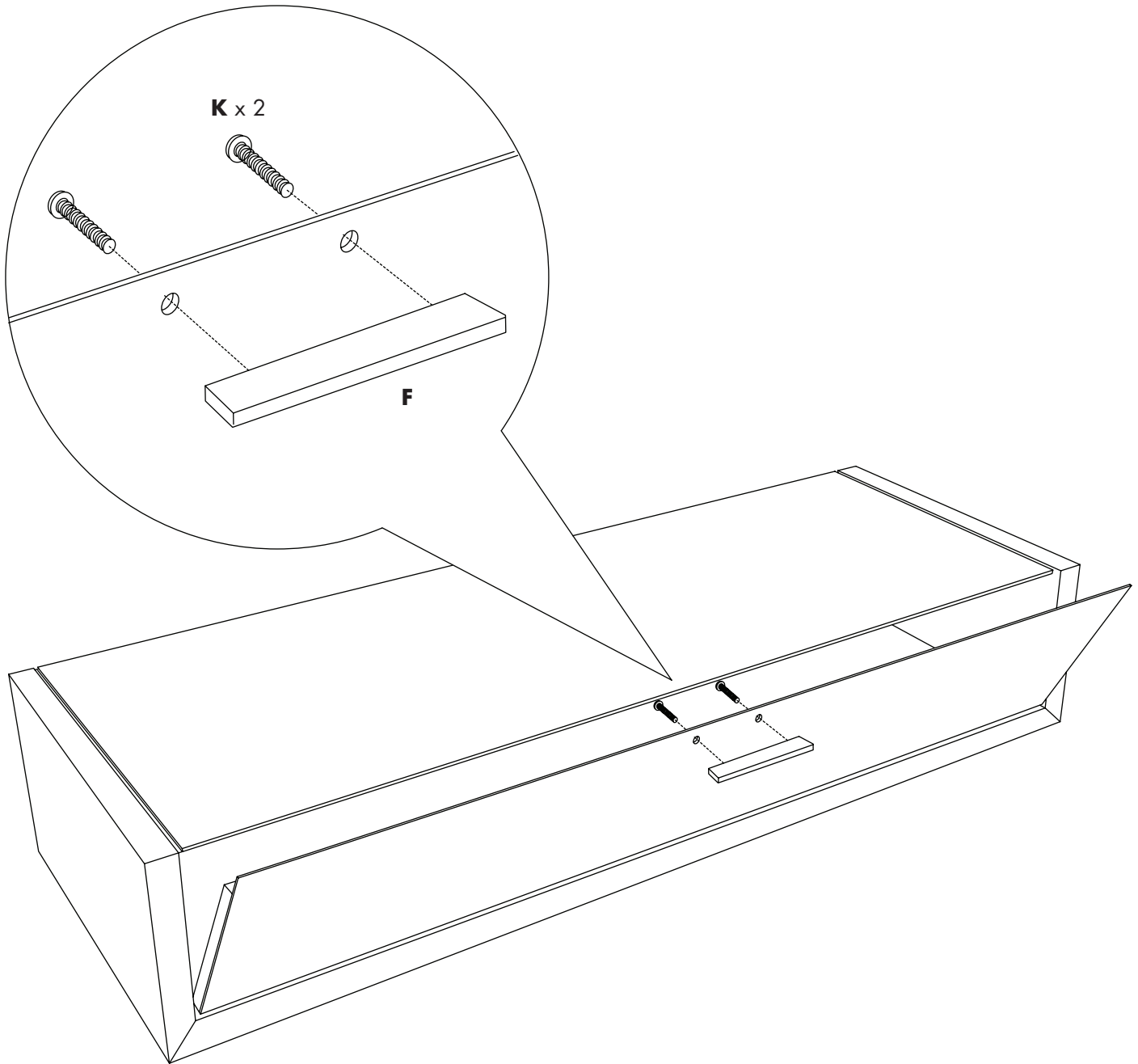
Step 1

Unpack and identify the parts listed on this page.

The assembly workspace should be a non-marring surface such as carpet. For missing hardware pieces, please contact BDI Customer Service at: customerservice@bdiusa.com For all other concerns please contact your local BDI Retailer.

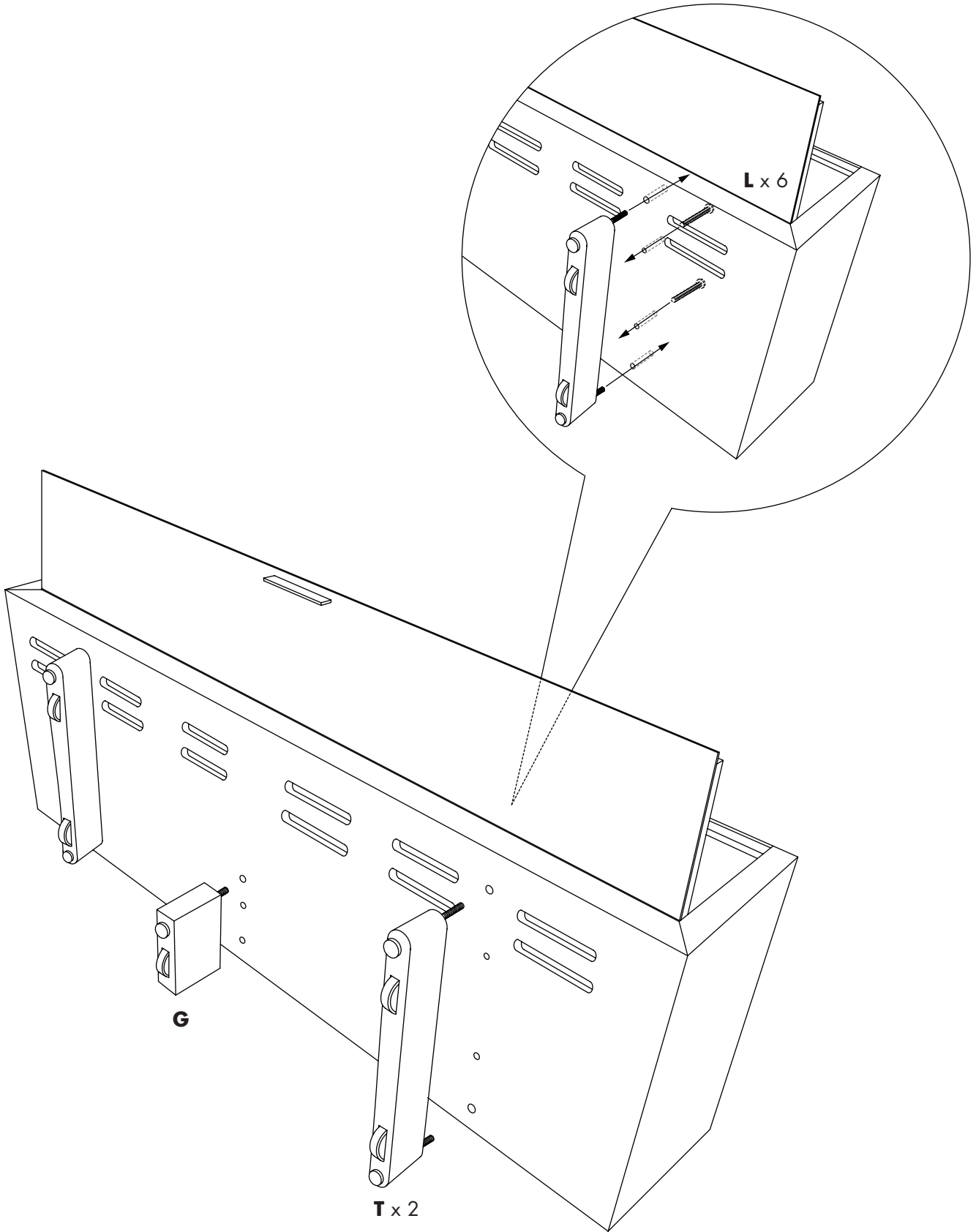
Step 2

Install Handle **(F)** to flip-down door using Phillips Screwdriver **(R)** and Handle Screw **(K)**.



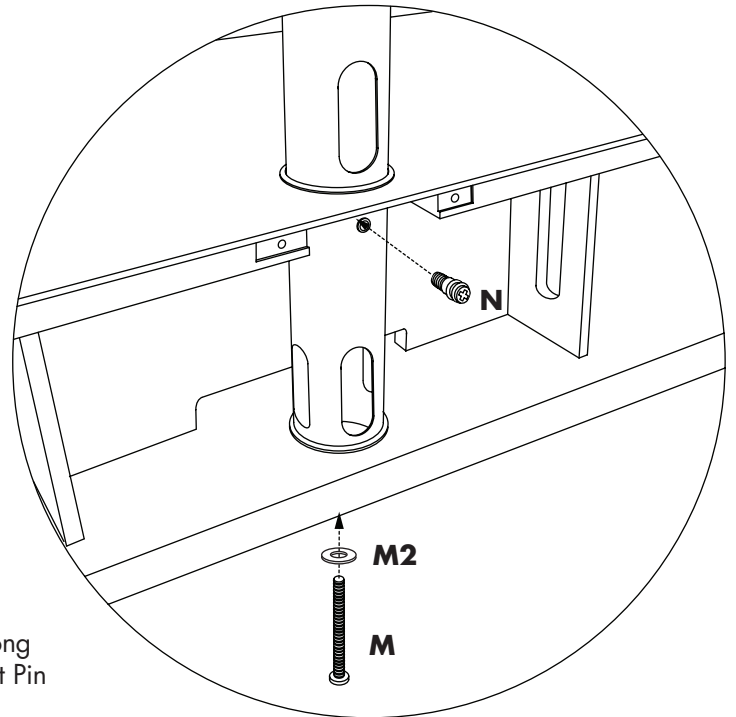
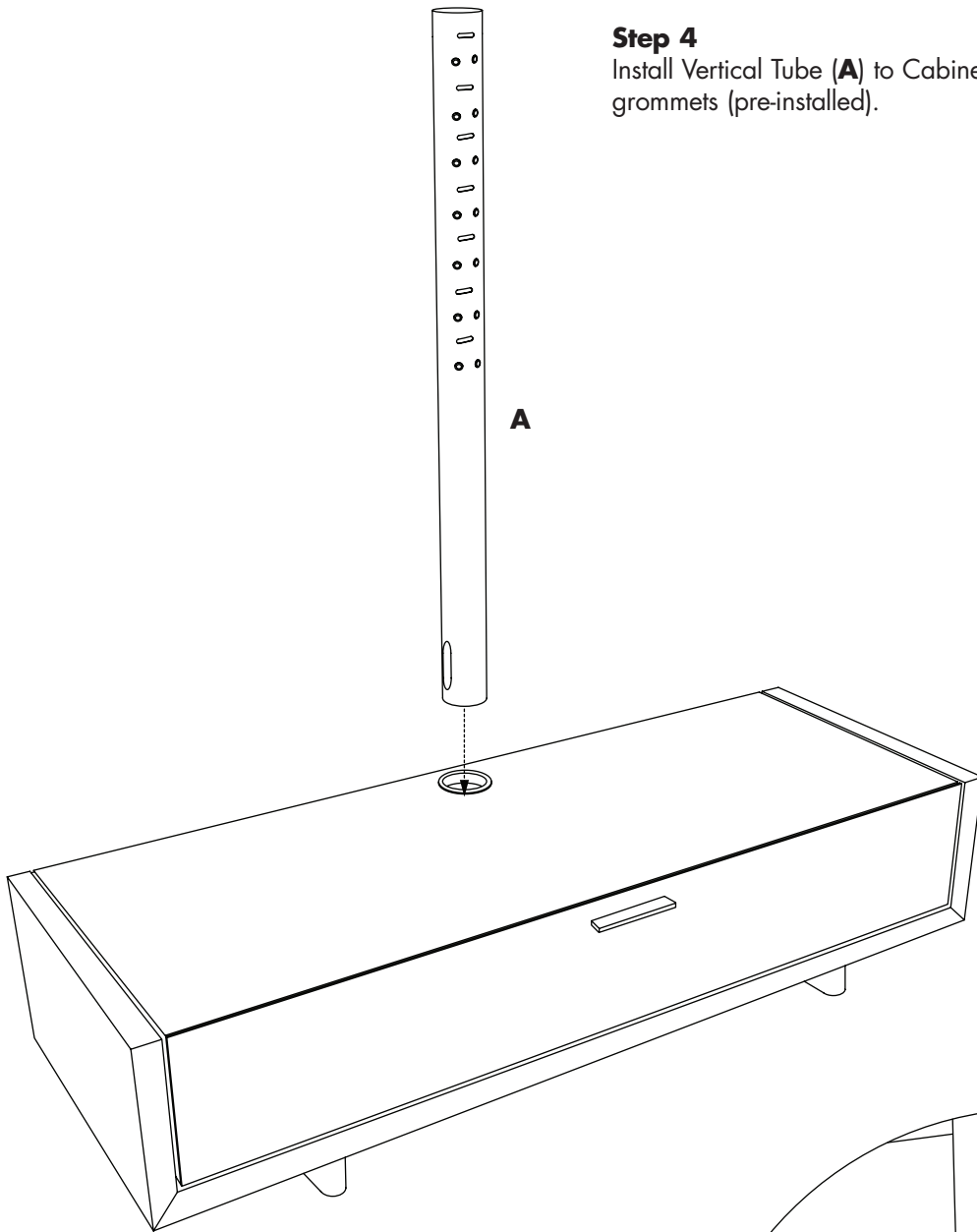
Step 3

Turn Cabinet (**H**) on its backside. With door fully opened, install Base Assembly (**T**) and Wood Leg (**G**) using Medium Hex Screw (**L**) and Hex Driver (**S**).



Step 4

Install Vertical Tube (A) to Cabinet (H) by lowering tube through grommets (pre-installed).

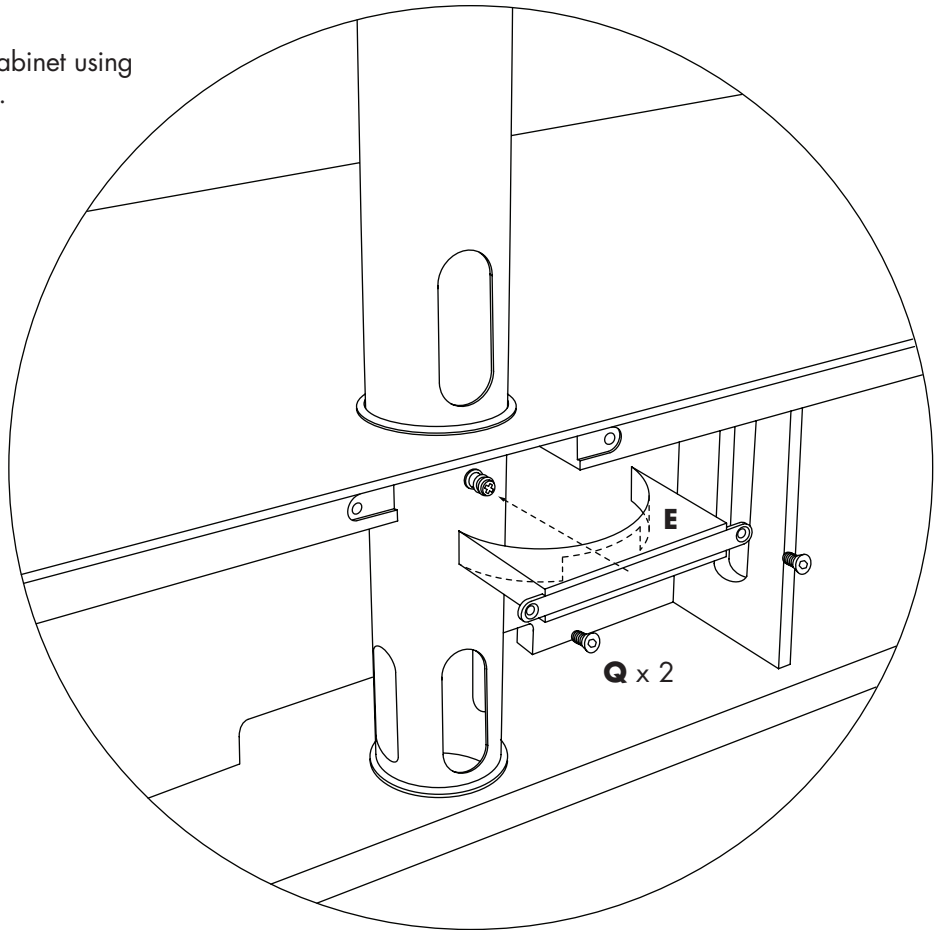


Step 5

Attach Vertical Tube (A) to bottom shelf of Cabinet using Long Hex Screw (M), Washer (M2) and Hex Drive. Install Insert Pin (N) to rear side of Vertical Tube using Phillips Screwdriver.

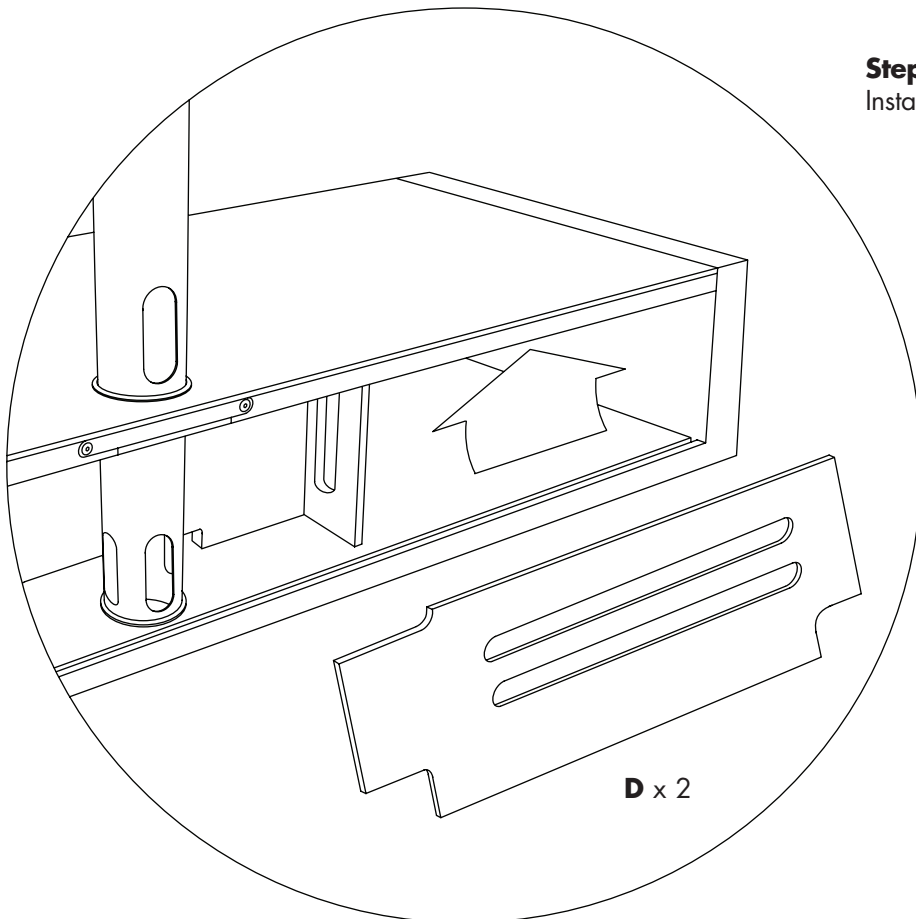
Step 6

Install Tube Bracket (E) to rear side of cabinet using Hex Driver (S) and Machine Screw (Q).



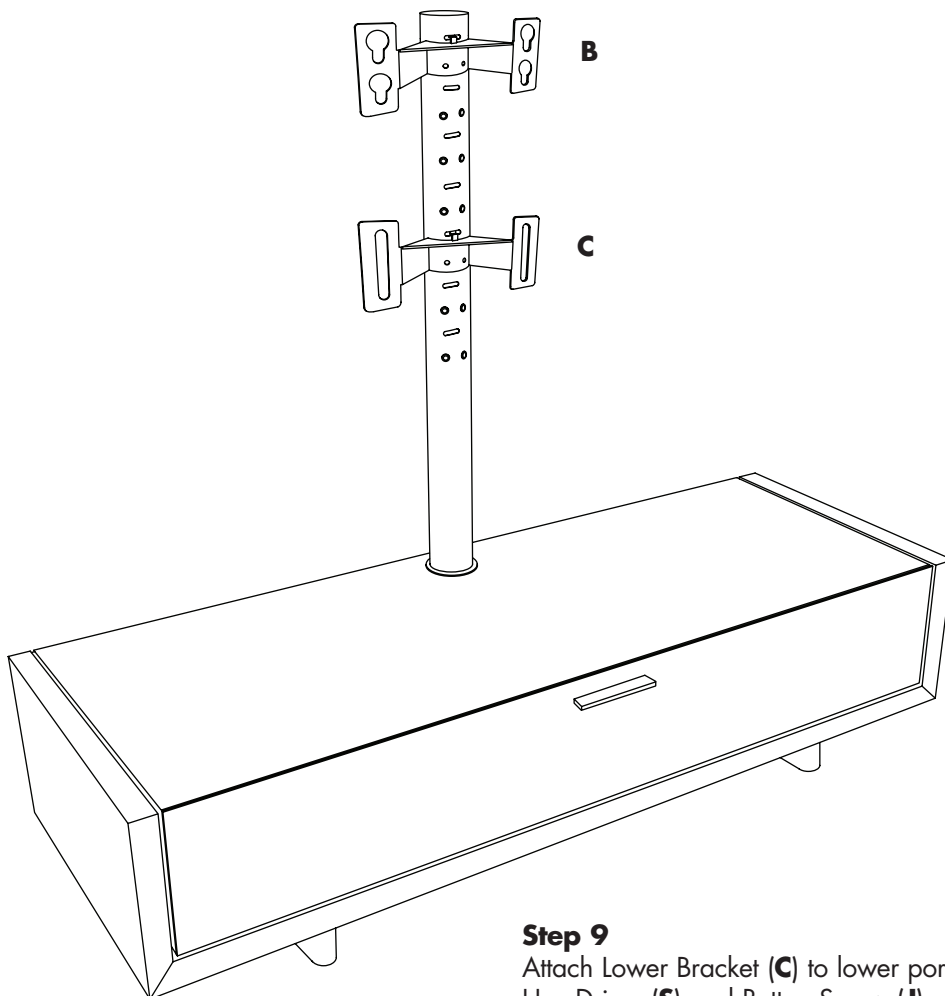
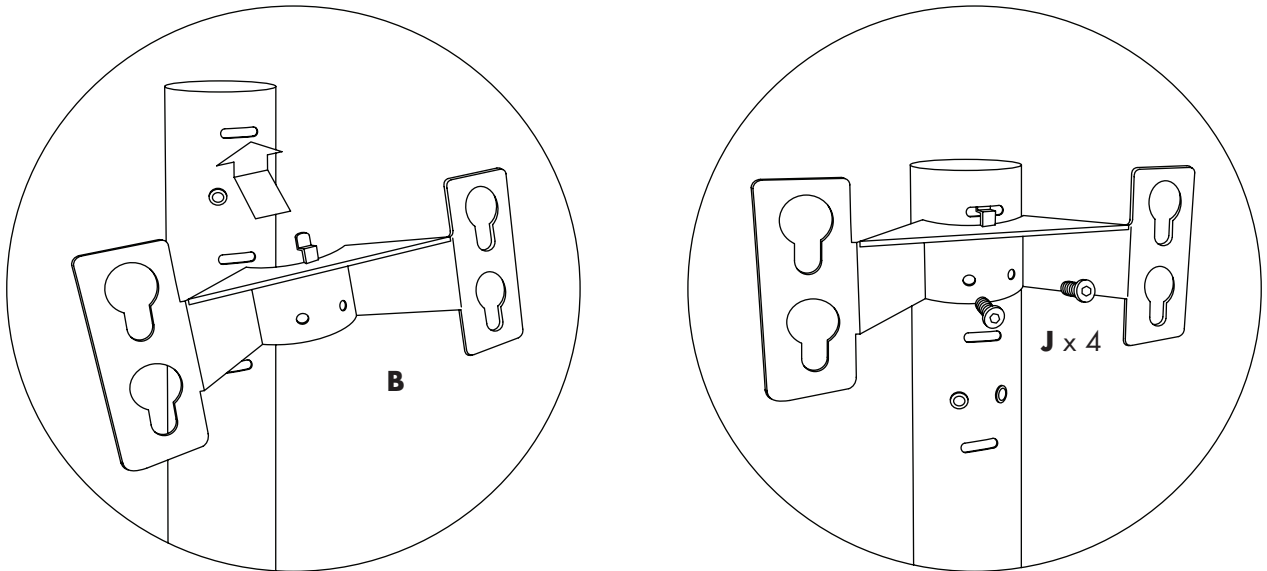
Step 7

Install Back Panel (D) to rear side of cabinet.



Step 8

Attach Upper Bracket (B) to upper portion of Vertical Tube (A) as shown below. Using Hex Driver (S), install Button Screws (J).

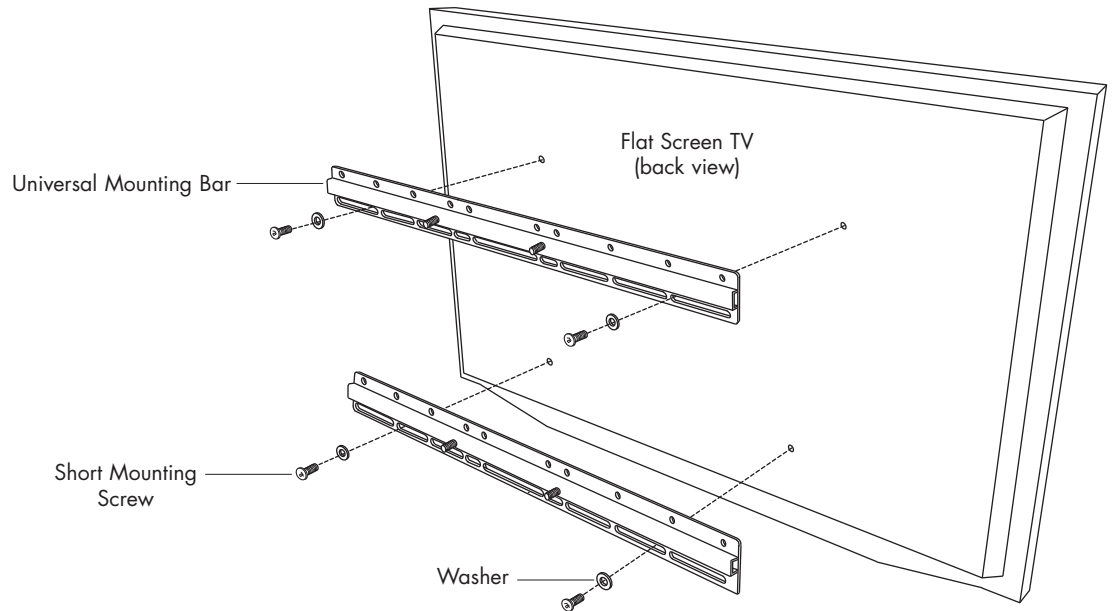


Step 9

Attach Lower Bracket (C) to lower portion of Vertical Tube (A) using Hex Driver (S) and Button Screw (J). Note: Be sure to measure mounting hole location on rear side of TV prior to installing Lower Bracket (C).

Step 10

Install Universal Mounting Brackets (**U**) to rear side of flat panel TV. Install flanged nut (**I**) to upper mounting bracket so that it's partially threaded half way.



Once the threaded post are positioned through the key holes and slots, lower TV into resting position. Tighten Flanged Nuts (**I**) on Upper Mounting Bracket.

Install the second set of Flanged Nuts (**I**) to the threaded posts of the Lower Mounting Bracket. Once positioned, fully tighten all Flanged Nuts!

