

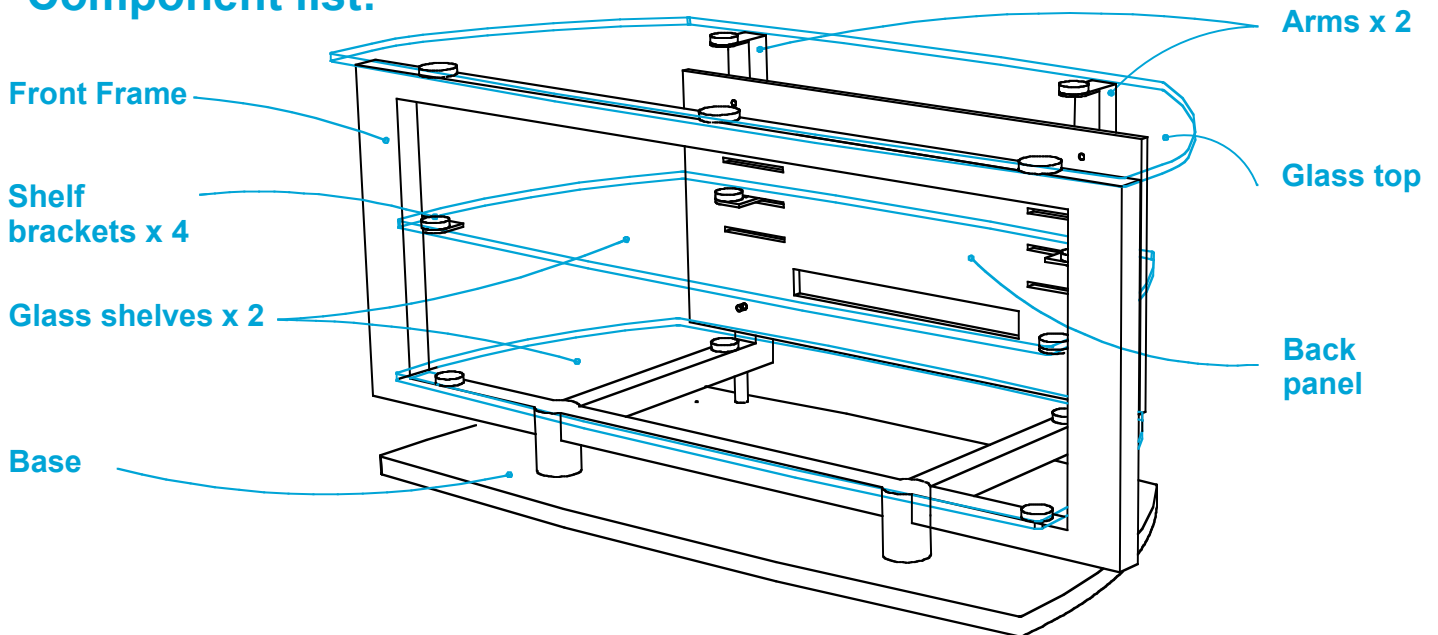
Icon 9425

Assembly Instructions

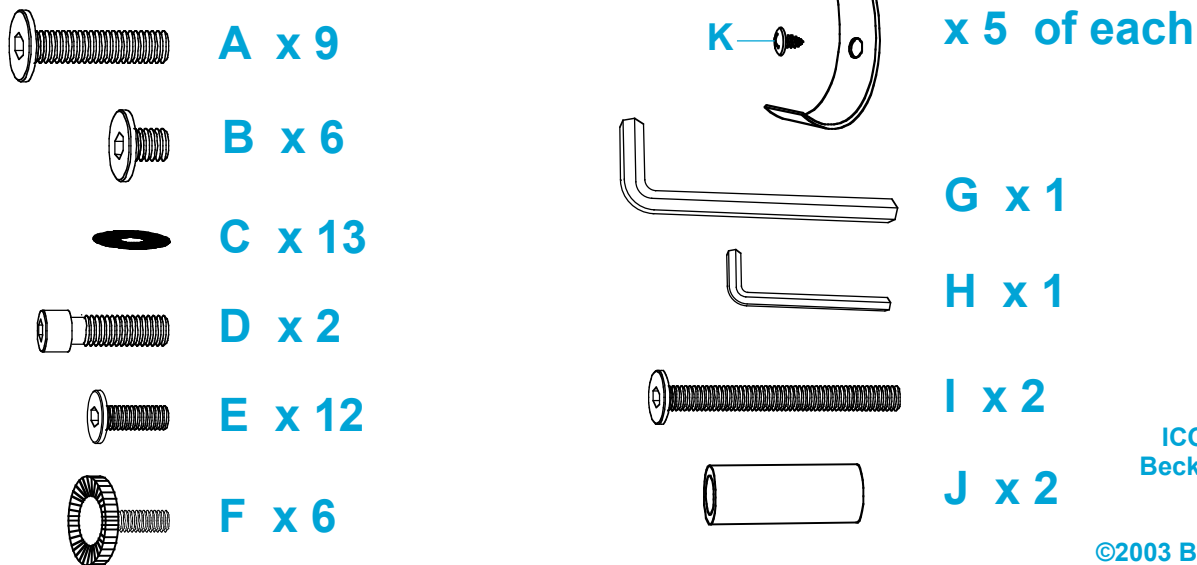
Your ICON home theater furniture is engineered for easy assembly carefully follow this procedure to prevent any damage. Assembly should be done on a clean non marring surface. All tools necessary are provided. Icon is designed for indoor use on level surfaces. Clean glass parts with glass cleaner, clean steel and wood parts with a moist cloth. If any parts are damaged or missing please contact BDI at customerservice@bdiusa.com

Designed by : Cristian Wicha & Bill Becker

Component list:



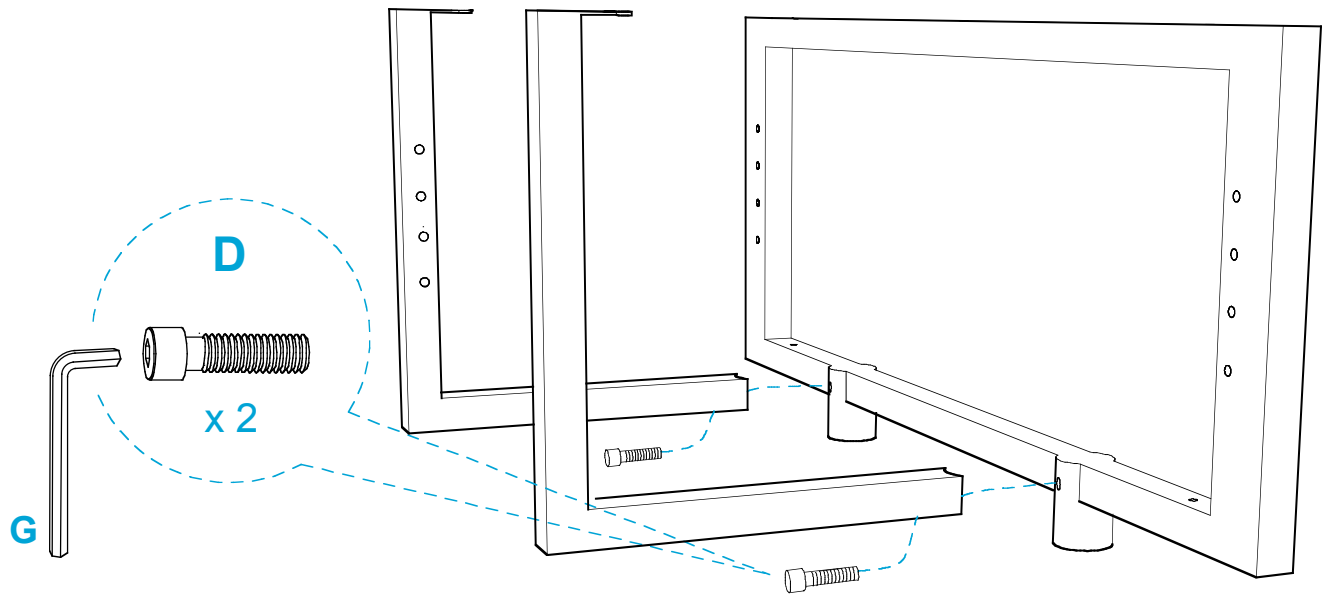
Hardware list:



Step 1

Installing the arms.

Bracket mounting holes should face inward.



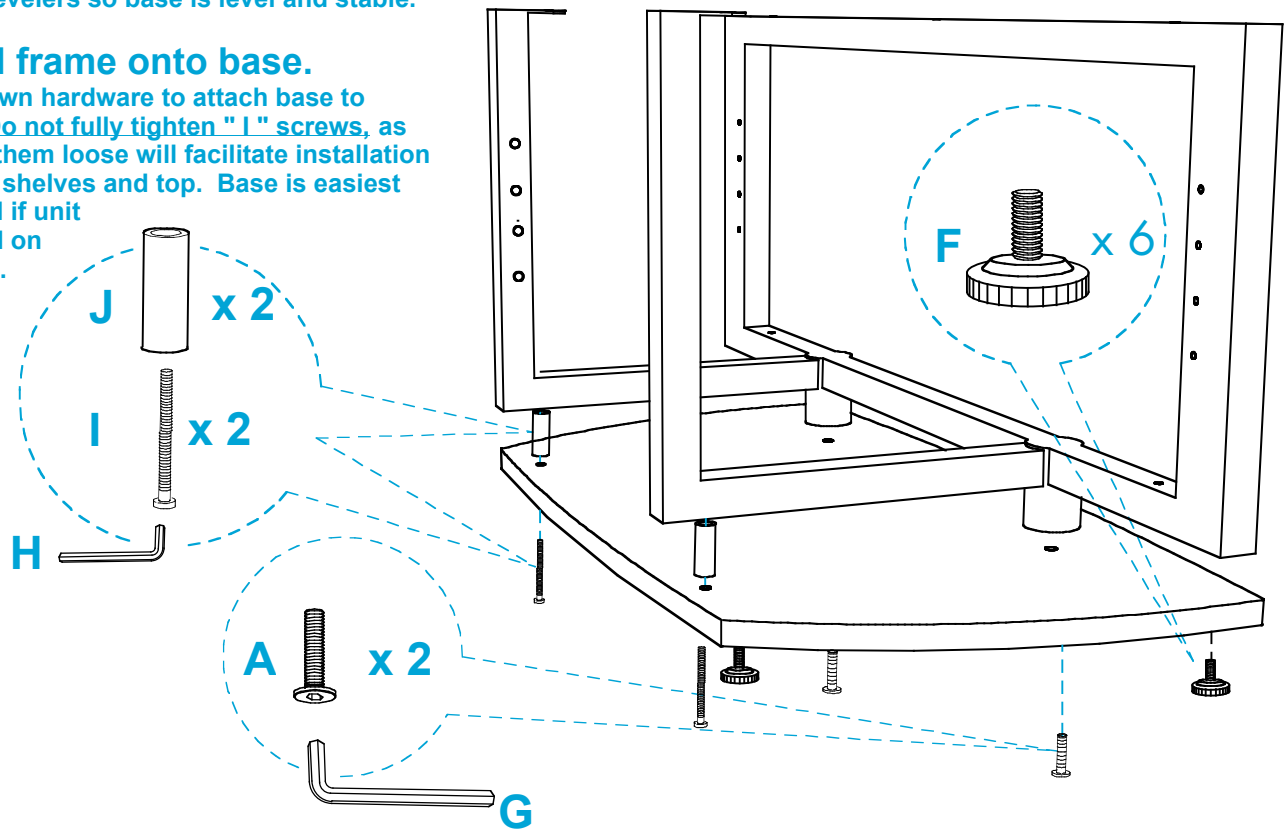
Step 2

Install Levelers x 6

Adjust levelers so base is level and stable.

Install frame onto base.

Use shown hardware to attach base to frame. **Do not fully tighten "I" screws**, as leaving them loose will facilitate installation of glass shelves and top. Base is easiest to install if unit is rested on it's back.



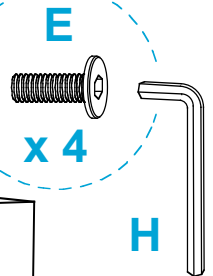
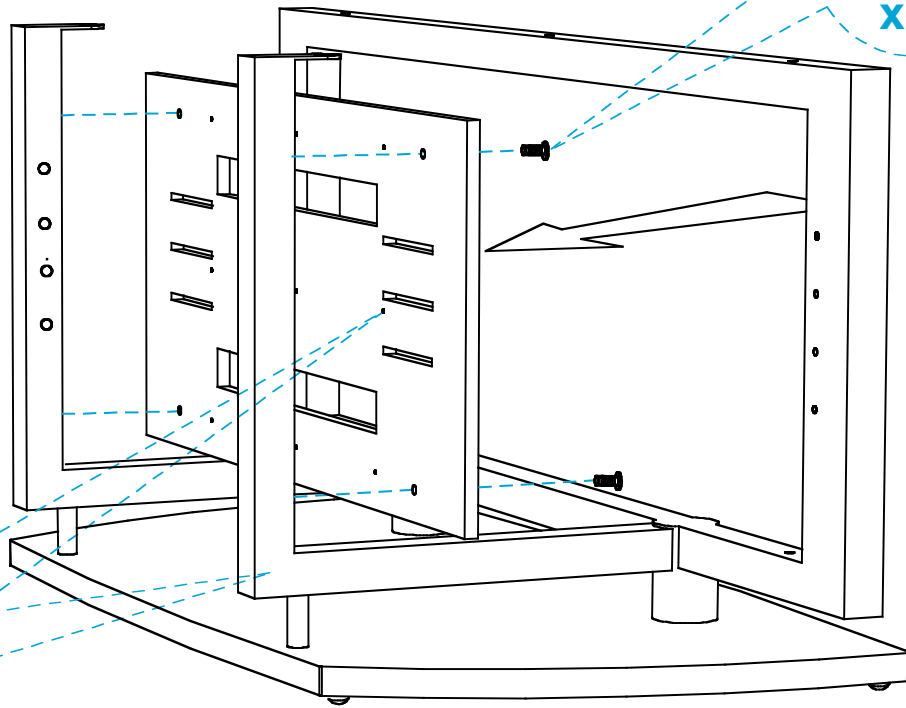
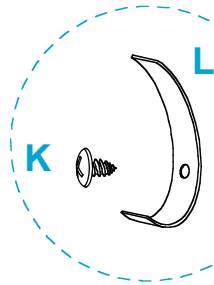
Step 3

Installing Back panel.

Back panel is to be installed with small holes facing backward. Do not fully tighten "E" screws, as leaving them loose will facilitate installation of glass shelves and top. BDI label should be on bottom left corner of back panel.

Wire management straps.

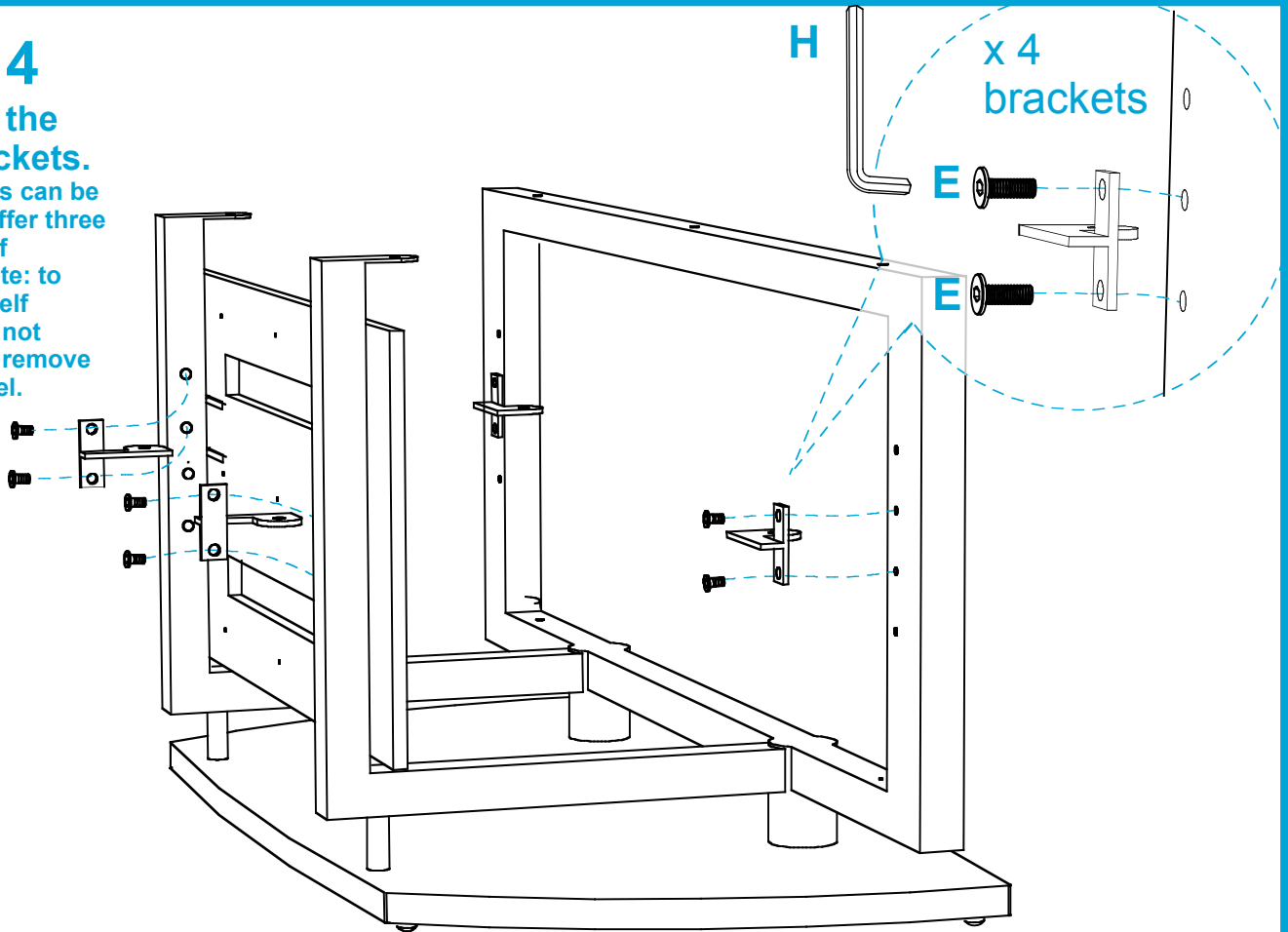
Velcro straps are supplied to control cables. They can be screwed into the steel at top and bottom of the arm or into the small holes on the back panel.



Step 4

Installing the Shelf brackets.

Shelf brackets can be adjusted to offer three different shelf positions. Note: to reposition shelf brackets it is not necessary to remove the back panel.



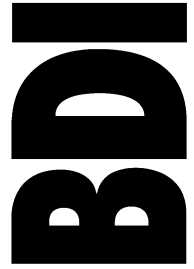
Step 5

Installing Glass shelves.

Two person assembly is recommended for this step.

Use appropriate hardware. Apply Felt washers to the stainless pucks prior to glass installation.

PLEASE READ: leave glass screws loose until all screws have been installed. Then tighten securely. It may be necessary to loosen shelf brackets to obtain proper fit. Shifting the arms and back panel as needed to obtain proper fit may also be necessary. Once Glass shelves and top are fitted, Please be certain to go back and tighten all screws!



Becker Designed Inc.
14101-A Parke Long Ct
Chantilly VA 20151
www.bdiusa.com

Top Glass:

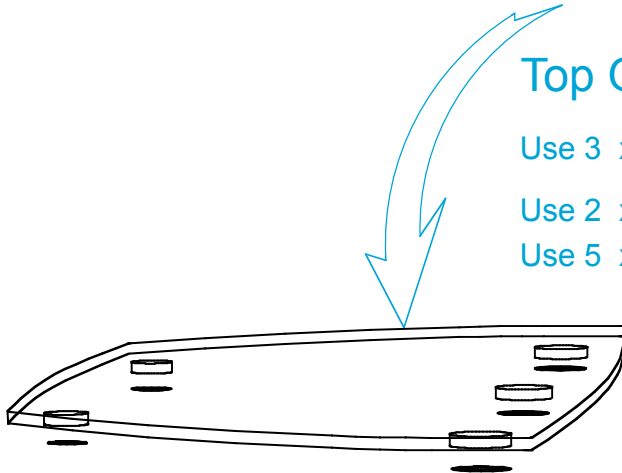
Use 3 x A



Use 2 x B



Use 5 x C

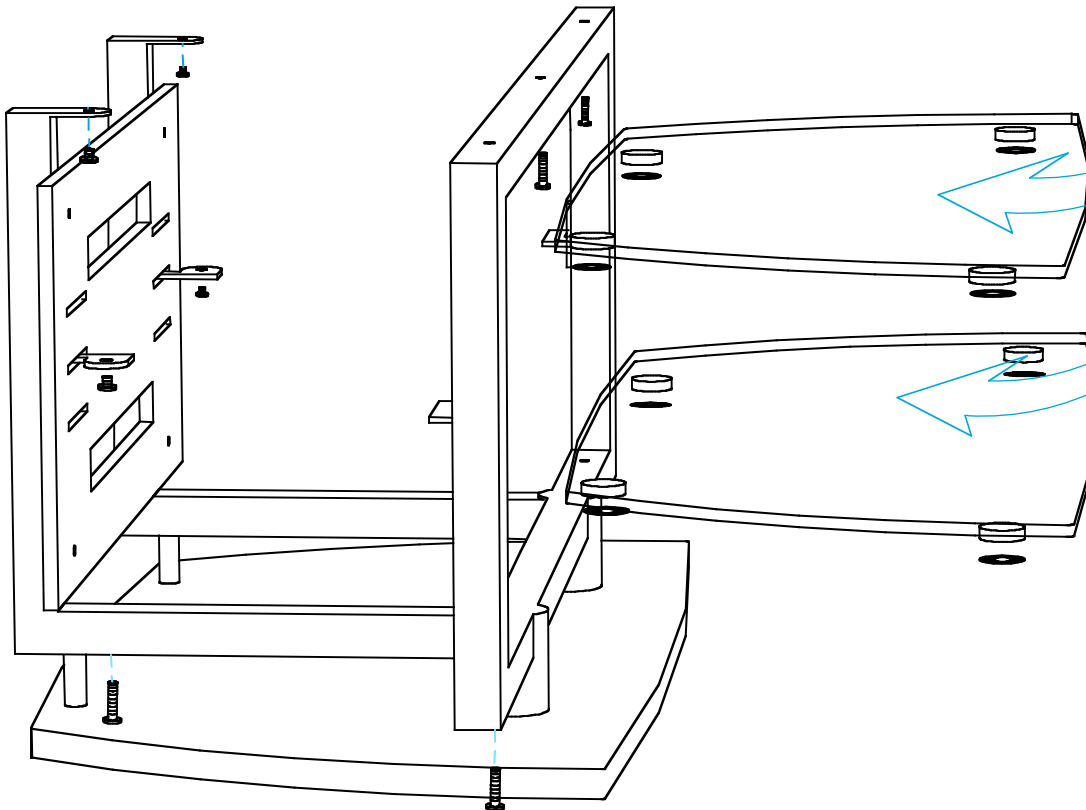


Shelf Glass:

Use 4 x B



Use 4 x C



Shelf Glass, Bottom:

Use 4 x A



Use 4 x C

