

Cielo 9324 & 9329

HIGH PERFORMANCE
FURNITURE FOR YOUR
HOME THEATER



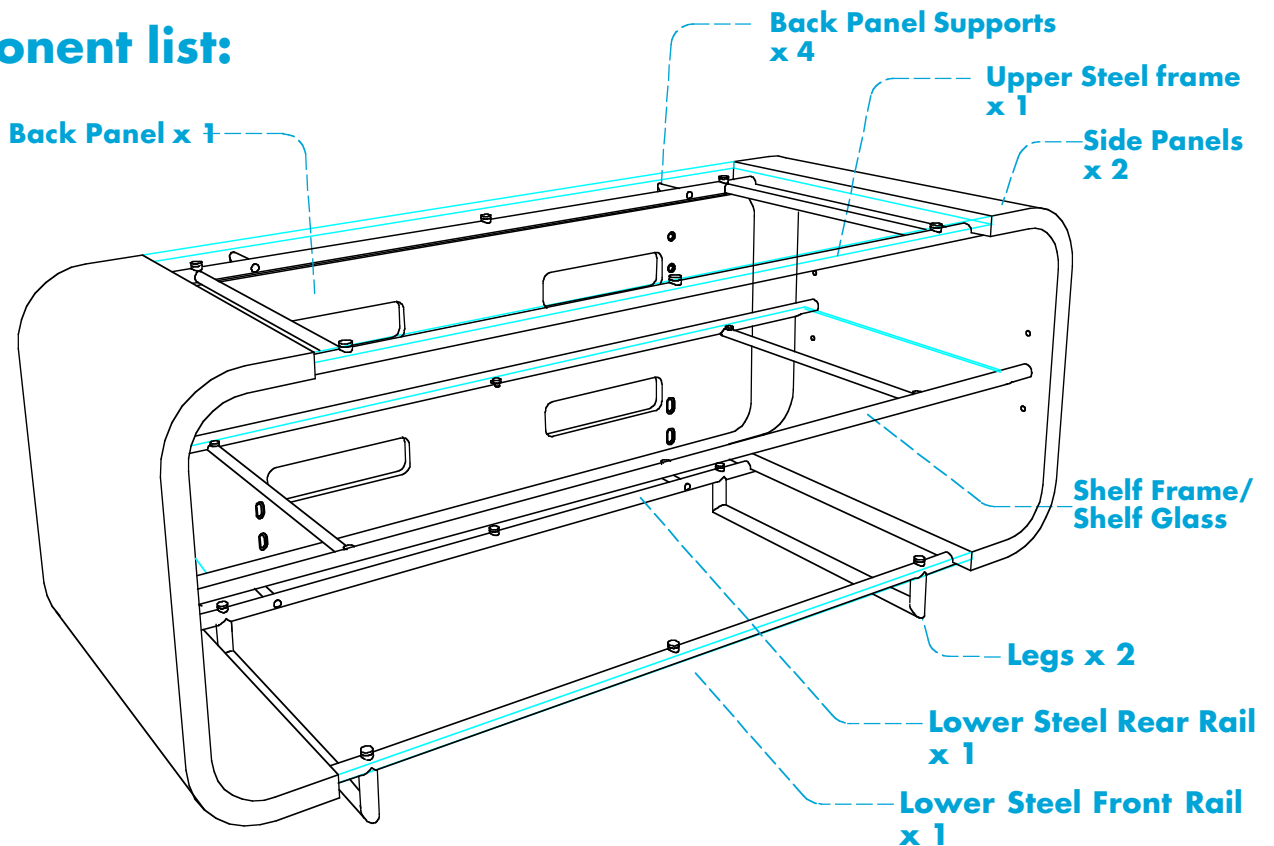
www.bdiusa.com
customerservice@bdiusa.com

Assembly Instructions

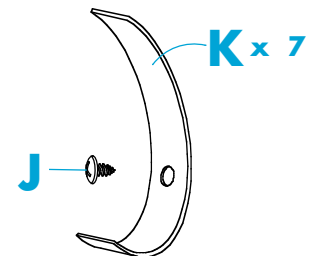
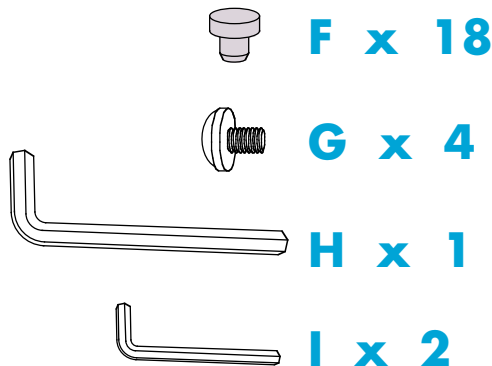
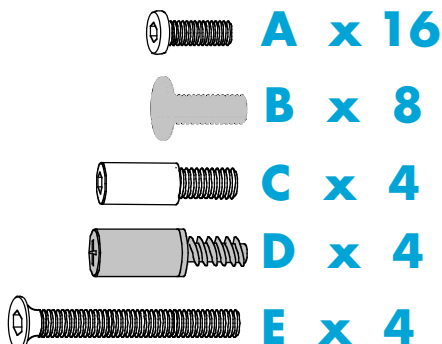
Your CIELO home theater furniture is engineered for easy assembly. Carefully follow this procedure to prevent any damage. Assembly should be done on a clean non-marring surface. All tools necessary are provided. CIELO is designed for indoor use on level surfaces. Clean glass parts with glass cleaner, clean steel and wood parts with a moist cloth. For missing hardware pieces, please contact BDI at customerservice@bdiusa.com. For all other concerns please contact your local BDI retailer.

Designed by: Cristian R. Wicha

Component list:



Hardware list:



Cielo is a trademark of Becker
Designed, Inc.
All rights reserved.
Patents pending
©2005 Becker Designed, Inc.

Step 1

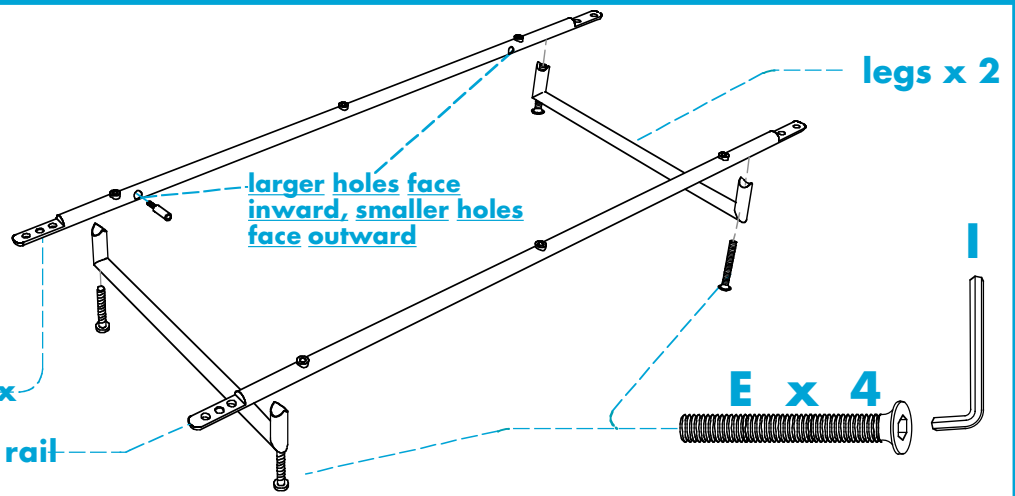
Build lower frame.

Attach legs to front and rear steel rails.

NOTE: The rear rail has holes for attaching back panel supports. **Larger holes MUST face inward** for proper alignment in Step 2.

lower steel rear rail x 1

lower steel front rail x 1

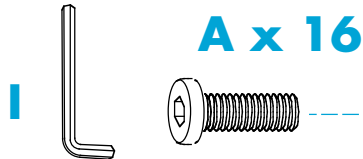
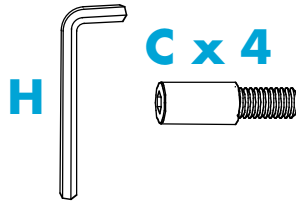


Step 2

Build basic structure.

Note the orientation of upper/ lower steel frames; the holes for back panel supports must align.

Do not fully tighten back panel supports until back panel is installed (Step 3). Then tighten ALL fasteners securely.



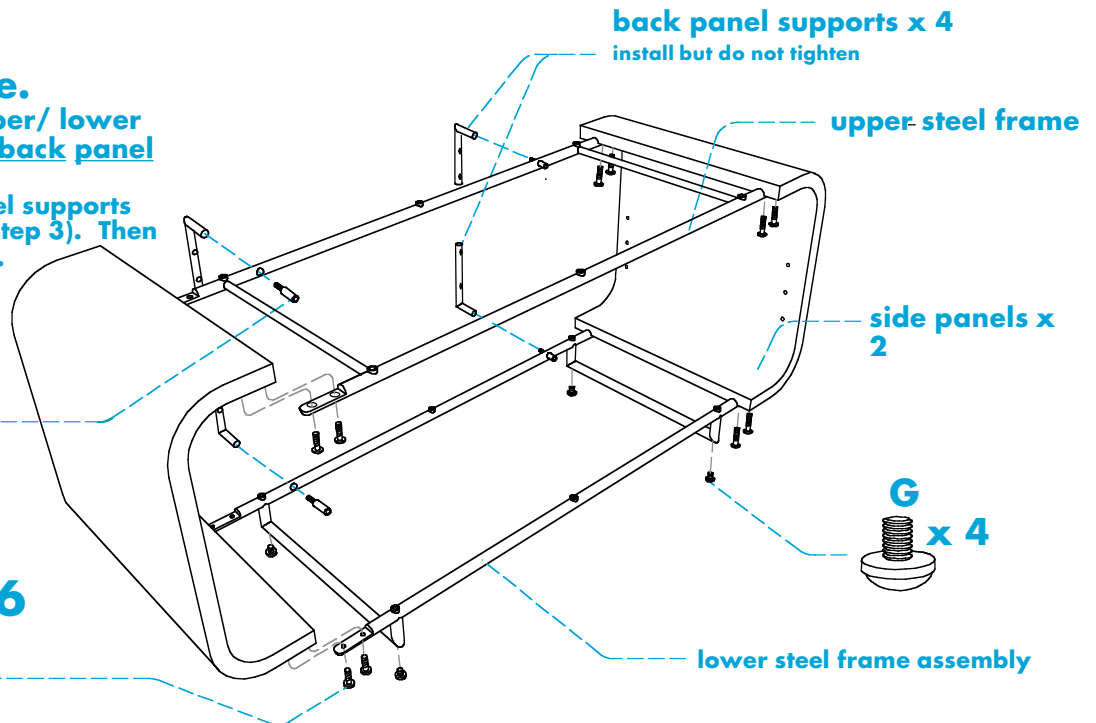
back panel supports x 4
install but do not tighten

upper-steel frame

side panels x 2



lower steel frame assembly



Step 3

Install back panel.

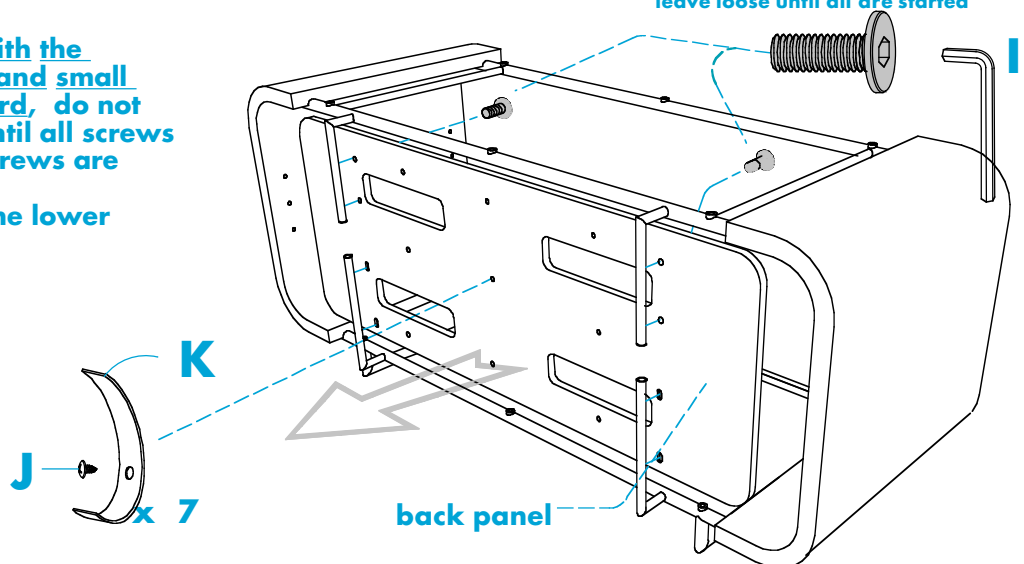
Back panel is to be installed with the elongated slots on the bottom and small holes and label facing backward, do not tighten screws and supports until all screws have been started. Once all screws are started, tighten ALL securely. BDI label should be in one of the lower corners.

Wire management straps.

Velcro straps are supplied to control cables. They can be screwed into the small holes on the back panel.

B x 8

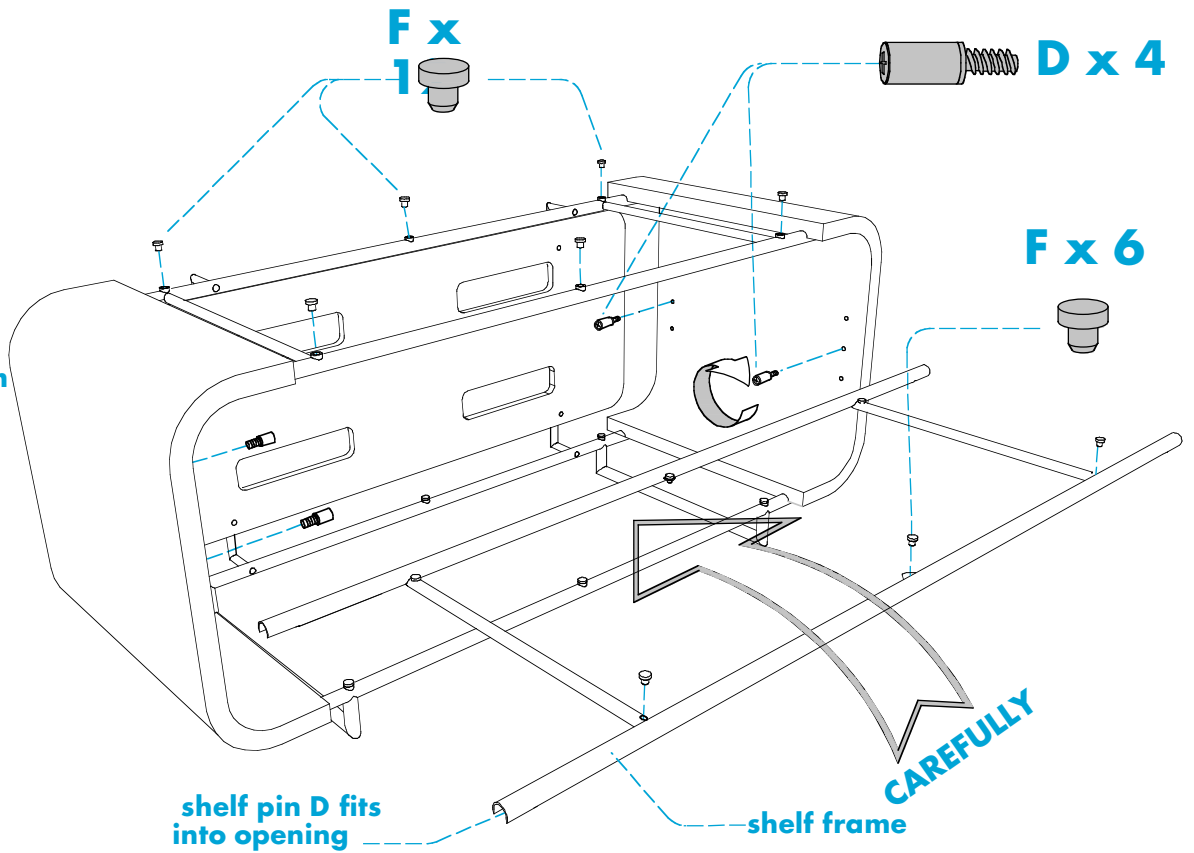
leave loose until all are started



Step 4 Installing Shelf

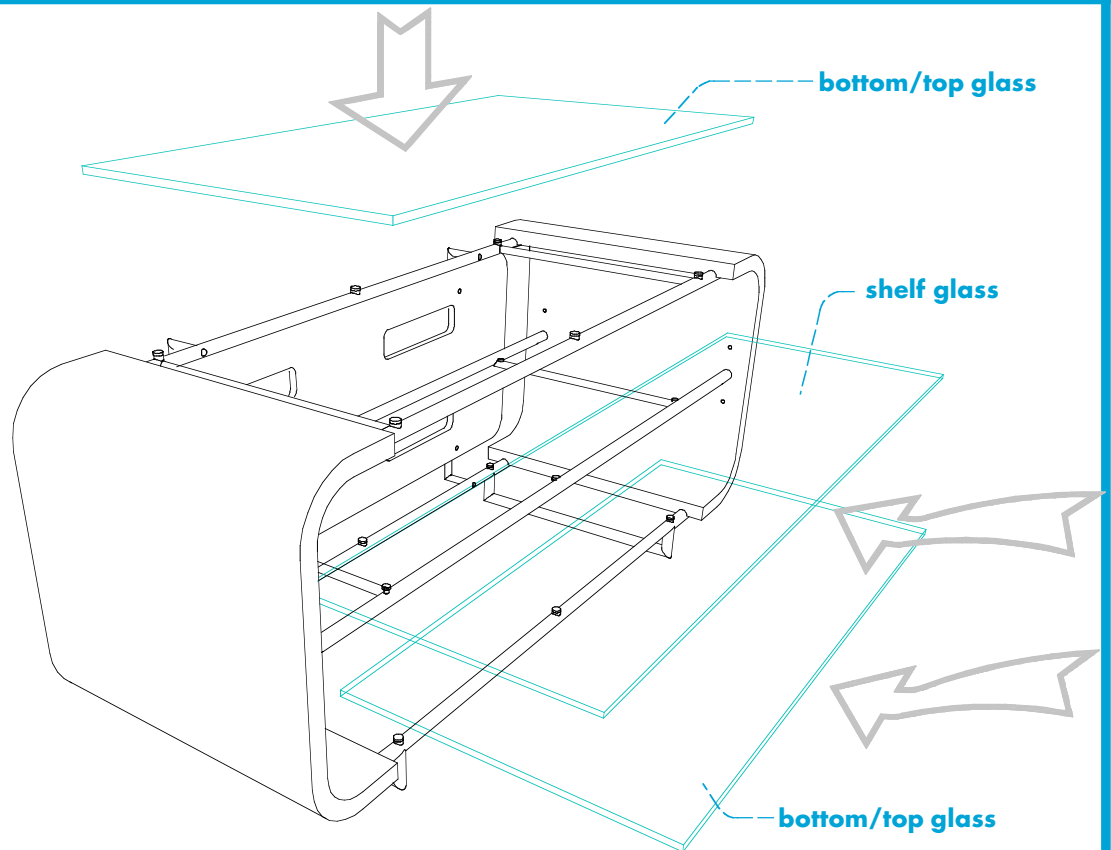
Shelf can be installed in three different positions. Use caution when inserting shelf as not to scratch the side panels.

Install F stem bumper into upper and lower steel frames. Install F stem bumpers into shelf frame.



Step 5 Installing Glass.

NOTE: Two people are recommended for this operation. BDI logo is to be located at the rear of the unit. Align and center glass shelves.



Cielo is available in two different models to suit your needs.

To learn more about BDI's complete line of home theater furniture, visit us on the web at www.bdiusa.com



www.bdiusa.com
customerservice@bdiusa.com



CIELO 9324

Recommended TV Size: up to 36" Tube/CRT, 30"-50" Flat Panel, 40"-45" Rear Projection 20.5"H x 48"W x 18.5"D | 52H x 122W x 47D cm

Top Shelf Capacity: 200 lbs | 91 kg
Adjustable Shelf Capacity: 60 lbs | 27 kg
Bottom Shelf Capacity: 75 lbs | 34 kg
Frame Opening (H x W): 15.5" x 46" | 39 x 117 cm
Max Component Depth: 18" | 46 cm

CIELO 9329

Recommended TV Size: 42"-60" Flat Panel, 40"-62" Rear Projection 20"H x 60"W x 18.5"D | 52H x 152W x 47D cm

Top Shelf Capacity: 225 lbs | 102 kg
Adjustable Shelf Capacity: 60 lbs | 27 kg
Bottom Shelf Capacity: 100 lbs | 45 kg
Frame Opening (H x W): 15.5" x 58" | 39 x 147 cm
Max Component Depth: 18" | 46 cm



Cielo™