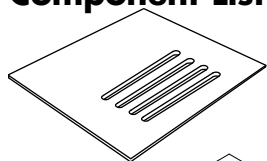


Avion

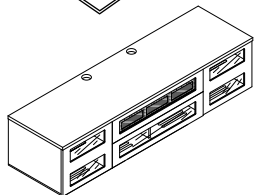
HIGH PERFORMANCE
FURNITURE FOR YOUR
HOME THEATER



Component List



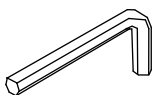
A - Back Panel x 2



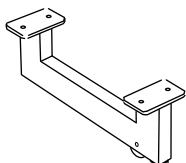
B - Assembled Cabinet x 1



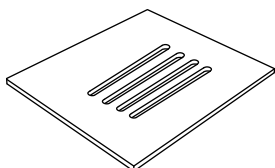
C - Base Screws x 12



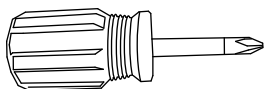
D - Allen Wrench
Small/Large



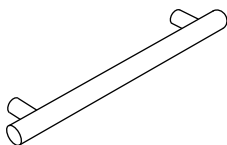
E - Metal Leg x 3



F - Adjustable Shelf x 2



G - Phillips Screwdriver
x 1



H - Handle x 4



I - Handle Screw x 8

Your Avion® Home Theater Furniture is engineered for easy assembly. Carefully follow this procedure to prevent any damage.

Placement and Maintenance

Avion® Home Theater Furniture is designed for indoor use on level floors. Clean glass with glass cleaner, and steel parts and wood veneer with a moist cloth.

Step 1

Unpack and identify the parts listed above.

The assembly workspace should be a non-marring surface such as carpet. For missing hardware pieces, please contact BDI Customer Service at: customerservice@bdiusa.com

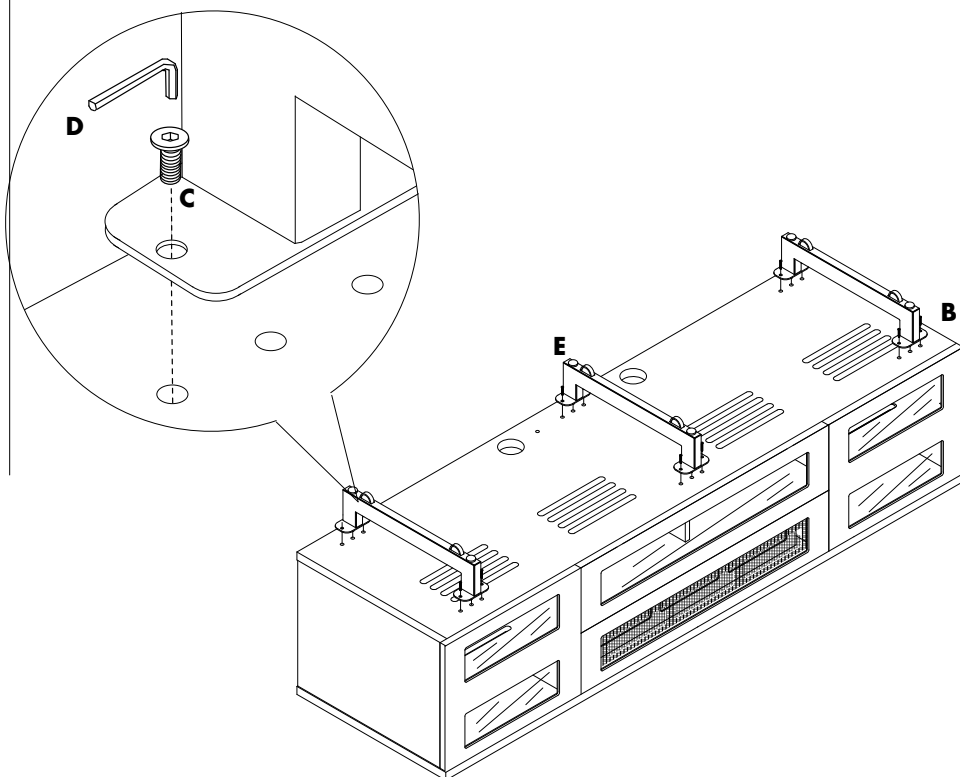
For all other concerns, please contact your BDI Retailer.

Step 2 Install legs.

First, remove all internal components from the cabinet including shelves, hardware box and legs.

Carefully lay cabinet (B) upside down.

Using the large hex wrench, screw the **Metal Leg (E)** to the bottom of the cabinet with **Base Screw (C)**. *Note: Each of the metal legs have adjustable levelers that can be adjusted from inside the cabinet using the small hex wrench.

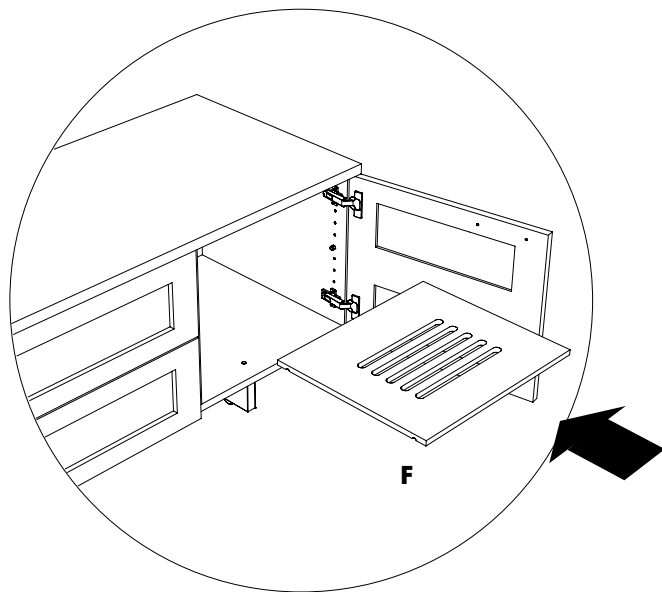


For more information about the adjustable levelers and troubleshooting assembly, be sure to check out "Fine tuning your new BDI Avion Home Theater Furniture" at the end of these instructions.

Step 3

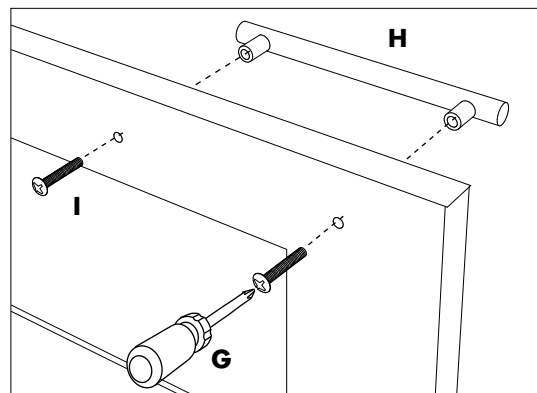
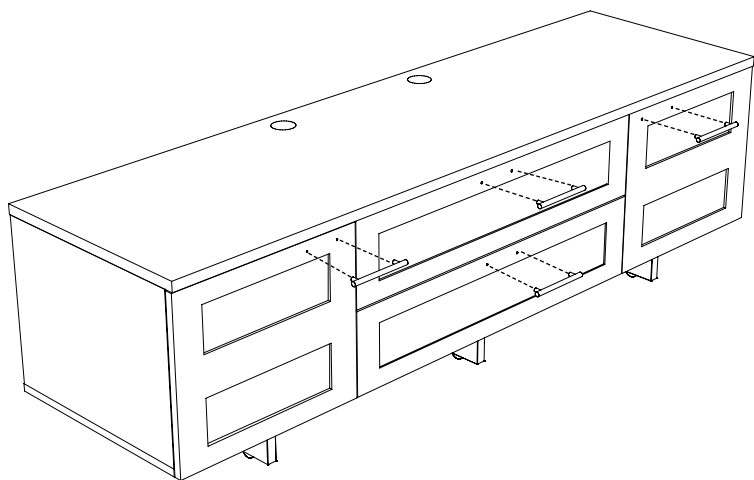
Adjustable shelf pins may be repositioned, allowing you to raise or lower the adjustable shelf to the desired level.

Install **Adjustable Shelf (F)** inside the left and right cabinet area. *Note: To place the adjustable shelf inside the cabinet, the shelf must be tilted sideways to clear the door opening.



Step 4

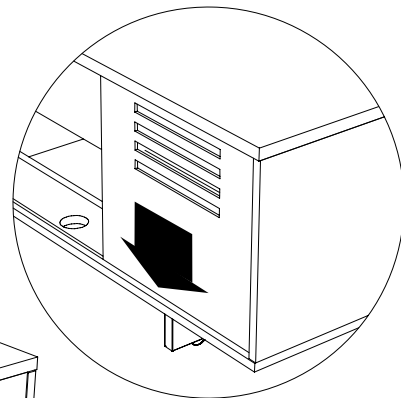
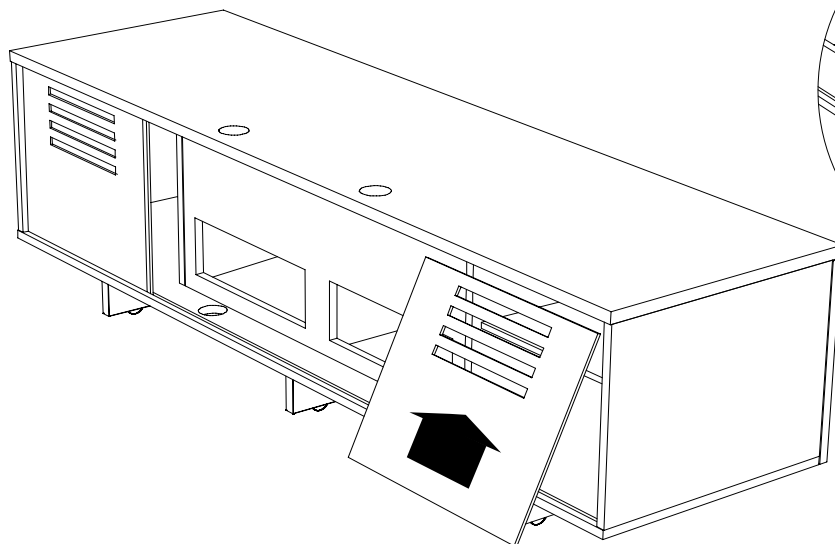
Install **Handles (H)** on the doors and drawers using the **Screws (I)** and the **Phillips Screwdriver (G)** supplied.



Detail: rear view of the door.

Step 5

Install both **Back Panels (A)** to the backside of the cabinet. *Note: Velcro straps are included as wire management for your convenience.



Step 6

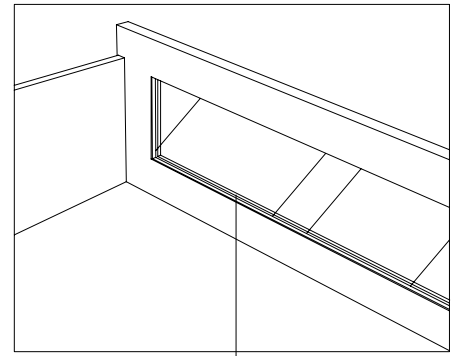
Optional fabric speaker or glass insert panel (Contact BDI Customer Service at: customerservice@bdiusa.com).

Avion's drawer and door fronts feature removable/replaceable panel inserts to permit customization of your cabinet's appearance and utility.

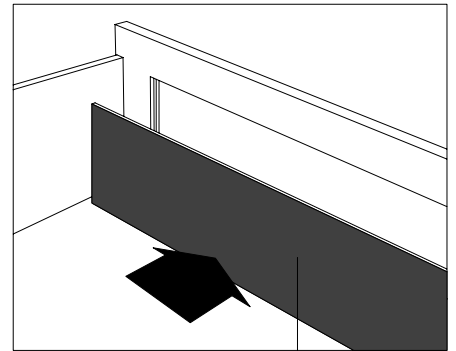
Installing optional panel inserts is quick and easy:

1. From the inside of the door, and starting at one corner of the pre-installed Glass or Speaker panel insert, carefully pull away all four sections of the dark rubber material running along the perimeter of the insert. (Use a blunt, tapered object or your finger to start removing the rubber material.)
2. Once the rubber material is completely pulled away, remove the pre-installed panel insert and replace it with the desired panel insert.
3. Re-install the rubber material, pressing it carefully back into the groove around the new panel insert, section by section, to complete the panel insert installation.

NOTE: Gentle stretching of the rubber material during re-installation can cause it to extend beyond one or more corners. If so, simply snip-off the excess material with a pair of sharp scissors.



a. Remove rubber trim and glass panel.

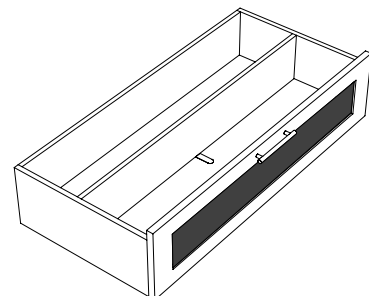
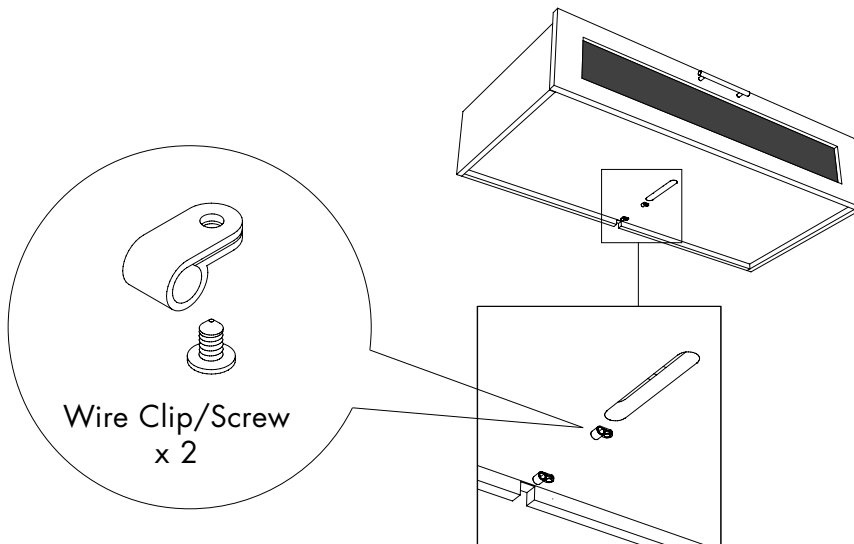


b. Replace insert panel

Step 7

Center channel speaker wire management.

If you opt to use the top/center drawer to house a center channel speaker, there is a slot on the drawer bottom that allows you to guide the speaker wires through and out of the drawer bottom using the installed plastic wire clips. *Note: The center divider is adjustable. Velcro straps are supplied, and can be used for organizing cable management.



Thank you for choosing BDI.

Your BDI home theater cabinet is engineered to include a range of adjustments. Please read and retain this guide so that you can fully enjoy the look and use of your cabinet for years to come.

Unless manual leveling is required or you wish to prevent the cabinet from rolling, you may prefer to keep the cabinet's levelers up and off the floor. This allows easier cabinet movement for greater access to rear panels and wire-management, and permits easier cleaning/vacuuming underneath the cabinet.

By following the steps in this guide, you can be sure that your BDI cabinet is in optimum tune and adjustment. If you need additional assistance, contact BDI at customerservice@bdiusa.com.

Fine tuning your BDI Avion Home Theater Furniture

After unpacking and assembling your cabinet, inspect it to be sure that it is sitting level on the floor, that all doors appear level, and that they open and close freely without rubbing or binding.

Due to uneven floors or perhaps gentle jostling during shipment, your BDI cabinet may not appear to be in perfect alignment when first assembled or when loaded with heavier electronic equipment. Such alignment issues are usually minimized or eliminated with only a few minor adjustments.



STEP 1 - Level the cabinet (if needed)

Levelers are integrated into each leg assembly and are accessed from inside the cabinet. If your floor is uneven, you may extend one or more levelers (with the provided Allen Wrench) to attain a level, stable cabinet placement. Turning the leveler clockwise will extend the leveler; turning it counter-clockwise will retract it.



INCORRECT! Door is out of alignment with the rest of the unit.

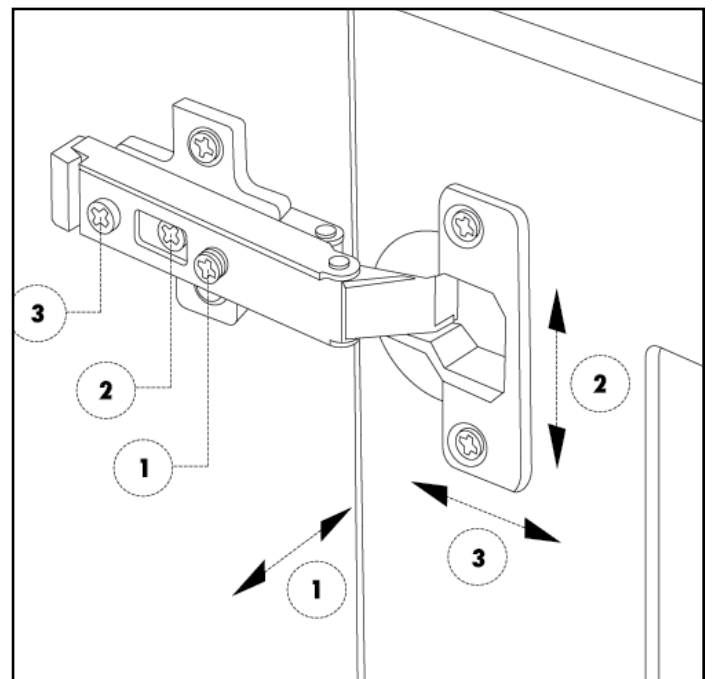


CORRECT! Door is sitting squarely and evenly spaced on tops and sides.

STEP 2 - Adjust Door Hinges (if needed)

Your cabinet's doors should show even spacing around edges and should open and close freely, without rubbing against the door frame. BDI cabinets feature high-quality, infinitely adjustable European hinges. Adjustments may be made to the door hinges with the use of a Phillips head screwdriver, and each hinge features three (3) adjustment screws:

- By adjusting **Screw 1**, the door will move left or right within the frame. Making minor adjustments to both the top and bottom hinges usually yields best results.
- By adjusting **Screw 2**, the door will move up or down within the frame. (The top and bottom hinges must be adjusted equally).
- By adjusting **Screw 3**, the door will move in or out, opening and closing the gap between the door frame and cabinet. (**Screw 3** rarely needs adjustment.)



Avion[®] 8527 & 8529

Designed by BDI Design Studio.

These distinctive product configurations are protected by US and international patents, trade dress, and/or copyright laws. "Avion" and BDI are trademarks of Becker Designed, Inc. All Rights reserved. ©2008, BDI