

HIGH PERFORMANCE  
FURNITURE FOR YOUR  
**HOME THEATER**



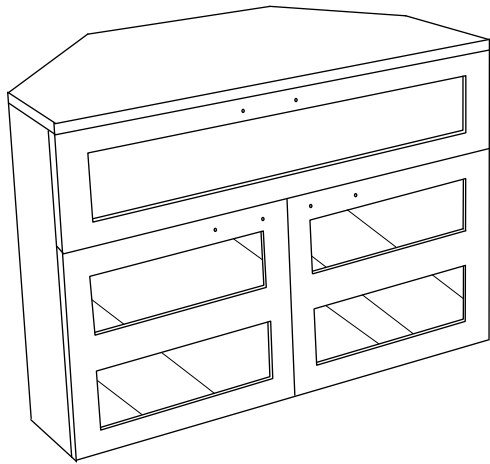
# Avion™ Home Theater Furniture

www.bdiusa.com  
customerservice@bdiusa.com

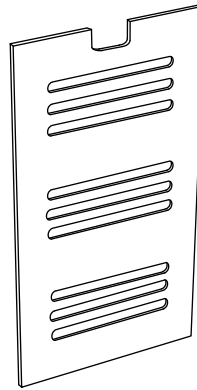
Your Avion™ Home Theater Furniture is engineered for easy assembly. Carefully follow this procedure to prevent any damage.

## Placement and Maintenance

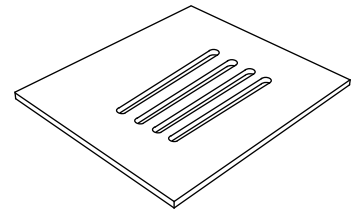
Avion™ Home Theater Furniture is designed for indoor use on level floors. Clean glass with glass cleaner, and steel parts and wood veneer with a moist cloth.



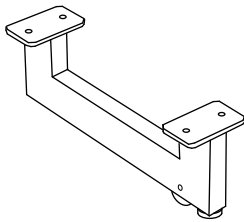
**A** - Cabinet Assembly x 1



**B** - Back Panel x 1



**C** - Component Shelf x 1



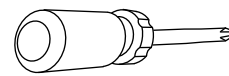
**D** - Metal Leg Assembly x 2



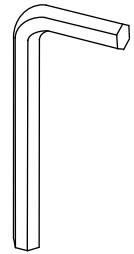
**E** - Handle Screw x 6



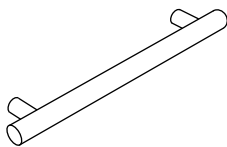
**F** - Machine Screw x 8



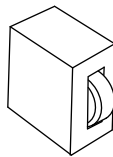
**G** - Phillips Screwdriver x 1



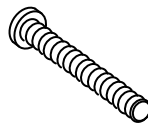
**H** - Hex Wrench x 1



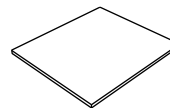
**I** - Handle x 3



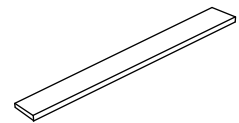
**J** - Caster Assembly x 2



**K** - Base Screw x 4



**L** - Media Shelf x 2



**M** - Media Strip x 1

Designed by BDI Design Studio.  
'Avion' is a trademark of Becker  
Designed, Inc. All rights reserved.  
©2007 Becker Designed, Inc.

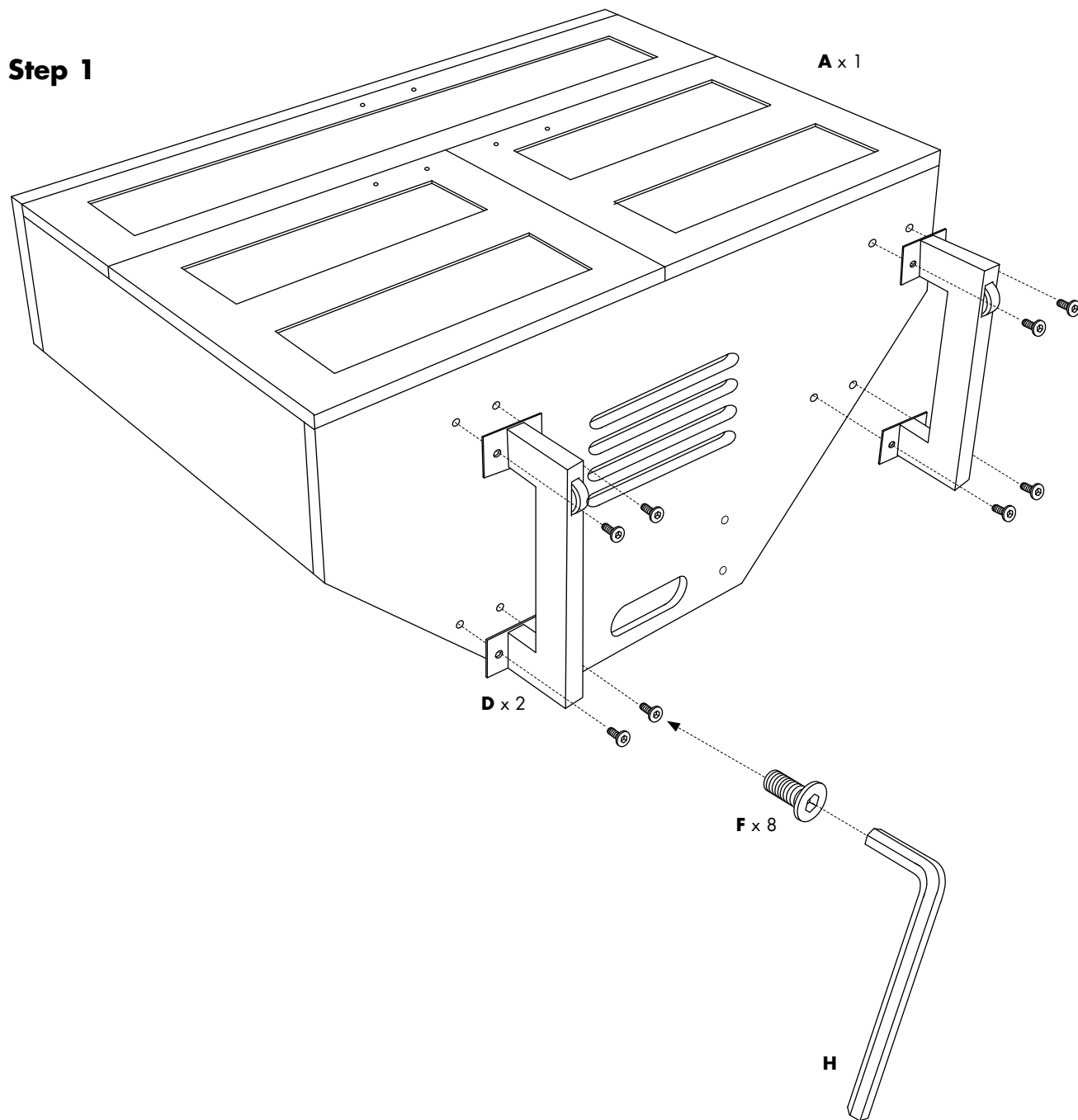
**Unpack and identify the parts listed on previous page.**

The assembly workspace should be a non-marring surface such as carpet. For missing hardware pieces, please contact BDI Customer Service at: [customerservice@bdiusa.com](mailto:customerservice@bdiusa.com) For all other concerns please contact your local BDI Retailer.

**Install legs.**

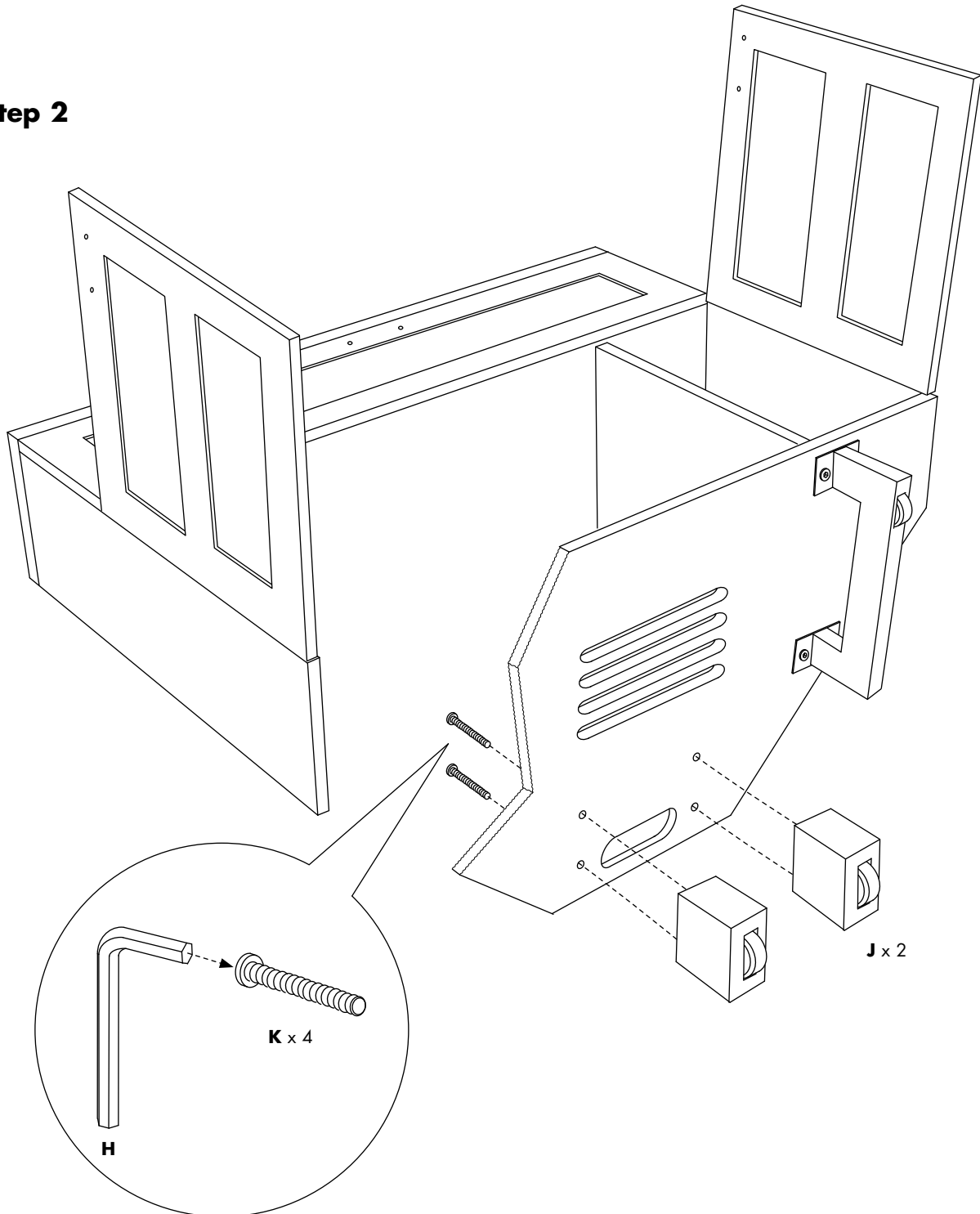
First, remove all internal components from the cabinet including shelves, hardware box, and metal legs. Carefully tip cabinet onto its back (Step 1). **Install metal leg assembly (D)** to bottom of cabinet using **machine screw (F)** and **hex wrench (H)**. \*Note: Each of the metal legs have adjustable levelers that can be tuned from inside the cabinet.

*For more information about the adjustable levelers and troubleshooting assembly, be sure to check out "Fine tuning your new BDI Avion Home Theater Furniture" at the end of these instructions.*

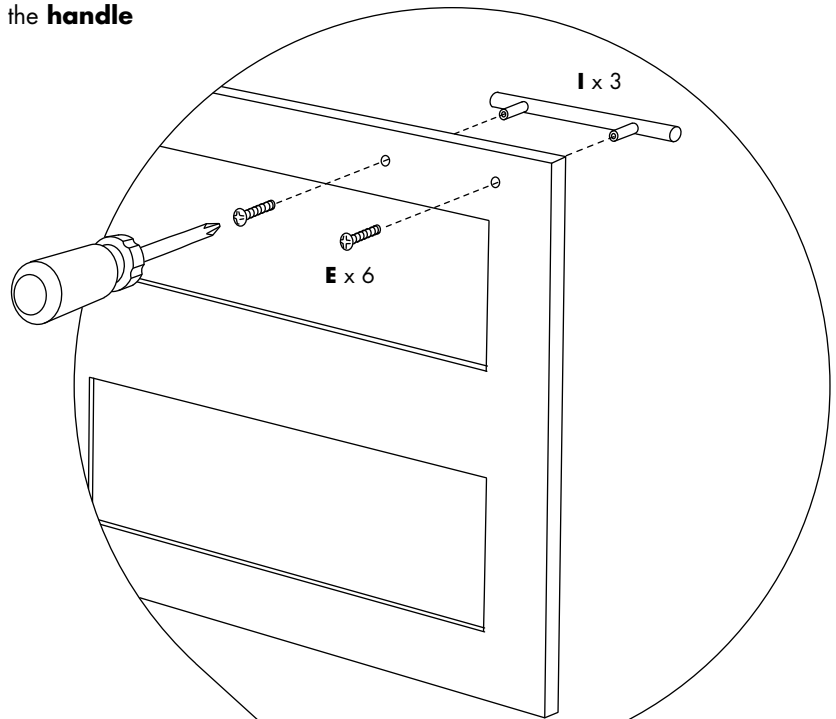


**Step 2** - Open both cabinet doors. Using the **hex wrench (H)**, insert **base screws (K)** through the four bottom shelf hole locations, which will be threaded into the top of the **caster assembly (J)**.

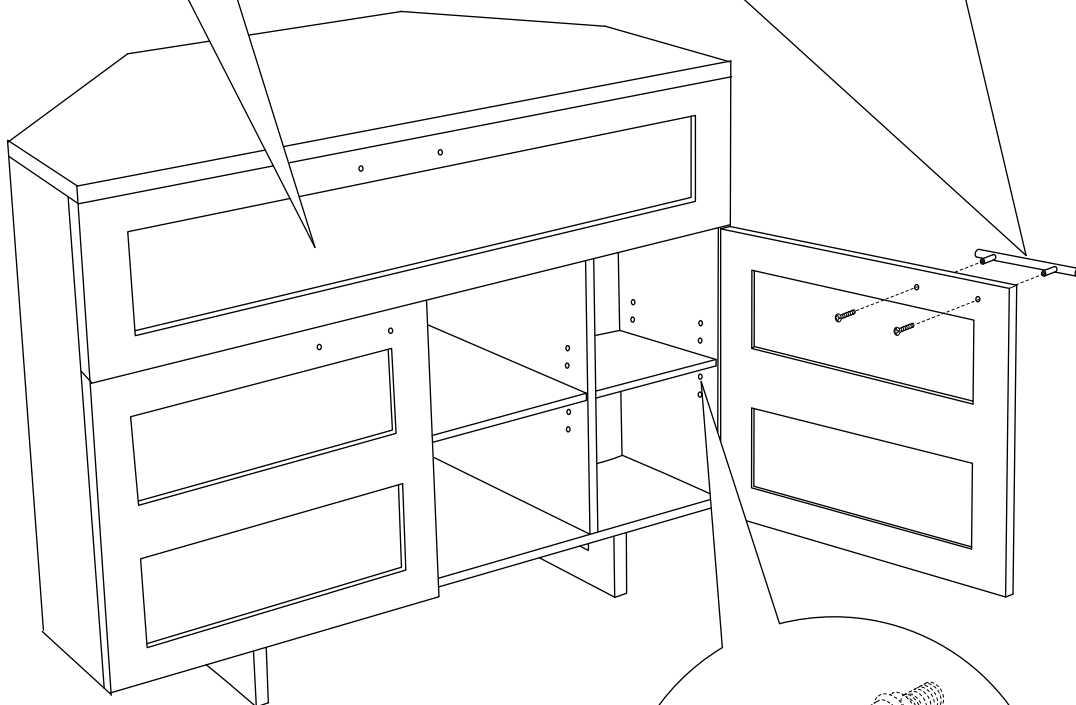
## Step 2



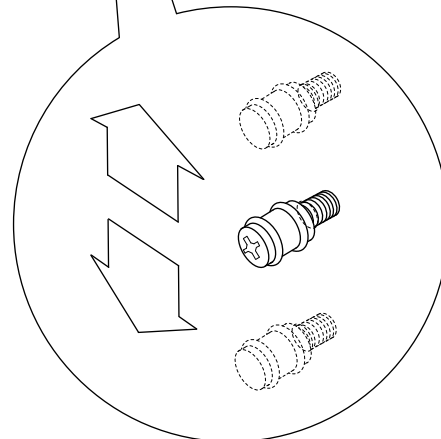
**Step 3** - Install **handles (I)** on all doors using the **handle screw (E)** and **Philips screw driver (G)**.

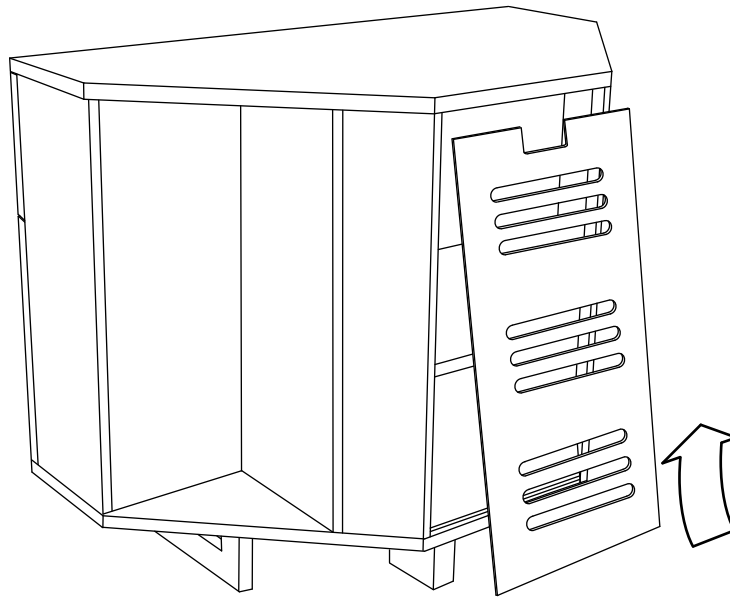


**Optional Glass Insert** is available.  
Contact BDI Customer Service at:  
[customerservice@bdiusa.com](mailto:customerservice@bdiusa.com)

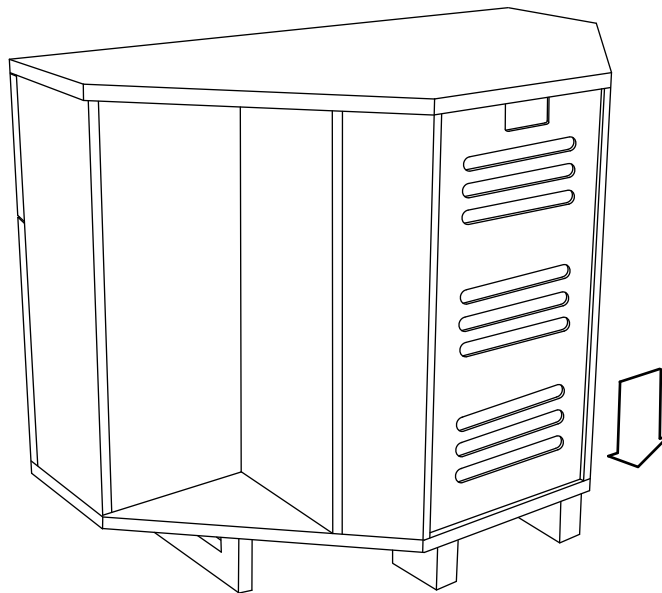


**Adjustable shelf pins** are pre-installed inside the cabinet. Depending on the height of your component or media, you may raise or lower the shelf to a desired level.





**Step 4** - Install **back panel (B)** to rear side of cabinet by inserting top edge of back panel into slotted groove along bottom of top shelf.



Lower back panel into slotted groove along top edge of bottom shelf.

## Fine tuning your new BDI Avion Home Theater Furniture

These steps are to be followed after you have unpackaged and completed the simple assembly instructions for your Avion or Avion Noir stand. Due to jostling in freight or perhaps an uneven floor, the doors and drawers on your Avion stand may not appear to be in perfect alignment. Making a few minor adjustments can rectify this situation. Be aware that depending on your situation, patience and a bit of trial and error are required. The high-quality European hinge hardware is infinitely adjustable, but changing one element can cause the need for further adjustments. Through a little adjustment, you can modify the orientation of the cabinet doors to make sure that they are sitting perfectly on your Avion unit.



**INCORRECT!** Door is out of alignment with the rest of the unit.



**CORRECT!** Door is sitting squarely and evenly spaced on tops and sides.

### **STEP 1 - Level your Avion unit (if needed)**

The levelers which are concealed within the legs can be adjusted from inside the Avion cabinet to compensate for an uneven floor or to secure your cabinet so that it does not roll. If you are having difficulty with misaligned doors, it is recommended that you first retract all levelers and make sure that the unit is resting on its wheels. If the center section on a three-legged unit appears to be sagging (center doors hangs below the side doors) raise the levelers on the center leg to compensate for this.

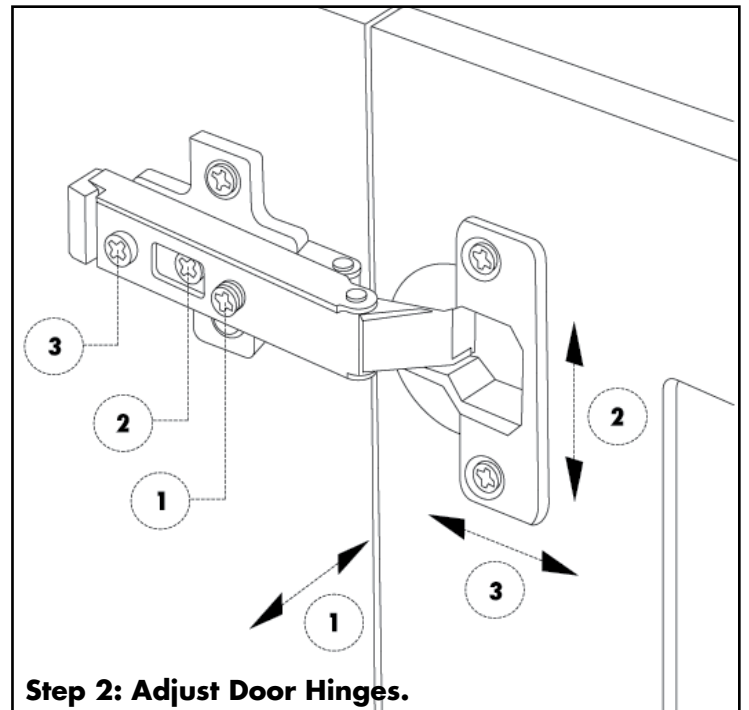


**Step 1: Level your Avion unit.**

### **STEP 2 - Adjust Door Hinges (if needed)**

The doors on your Avion stand should be perfectly spaced and the doors should open and close freely without rubbing against the door frame. Adjustments may be made to the Avion door hinges with the use of a Phillips head screwdriver. The hinge hardware has three adjustment screws.

- By adjusting **Screw 1**, the door will move left and right within the frame. For best results, make minor adjustments to top and bottom hinge for best results.
- If adjusting Screw 1 has not achieved the desired result, you can adjust **Screw 2** and the door will move up and down within the frame (the top and bottom hinges need to be adjusted the same amount).
- Adjusting **Screw 3** will cause the entire door to move in and out, opening and closing the gap between the door frame and cabinet. This screw rarely needs adjustment.



**Step 2: Adjust Door Hinges.**