

# BB

HIGH PERFORMANCE  
FURNITURE FOR YOUR  
**HOME THEATER**



**Aspect**<sup>TM</sup> 9760

Assembly Instructions

# Aspect™ Home Theater Furniture

Your Aspect™ Home Theater Furniture is engineered for easy assembly. Carefully follow this procedure to prevent any damage.

## Placement and Maintenance

Clean steel parts with a moist cloth.

Designed by Louis A. Lara

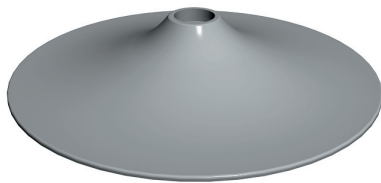
'Aspect' is a trademark of Becker Designed, Inc. All rights reserved.  
©2005 Becker Designed, Inc.



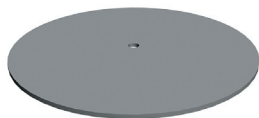
Universal Mounting Bar (UMB) x 2



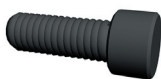
Column x 1



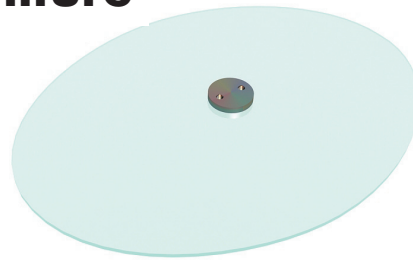
Base x 1



Ballast x 1



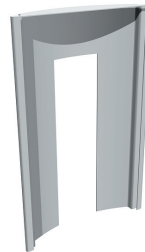
**A** - M10 x 40mm x 1



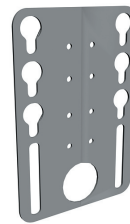
Glass Shelf x 1



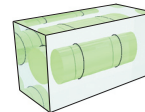
Shelf Bracket x 1



UMB Cover Plate x 1



UMB Mounting Plate x 1



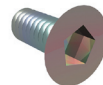
Bubble Leveler x 1



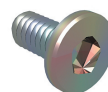
M4, M5, and M8 Allen Wrench



**B** - M6 x 10mm x 4



**C** - M8 x 12mm x 2



**D** - Button Head Screw x 2



Lock Washer x 2

## Step 1

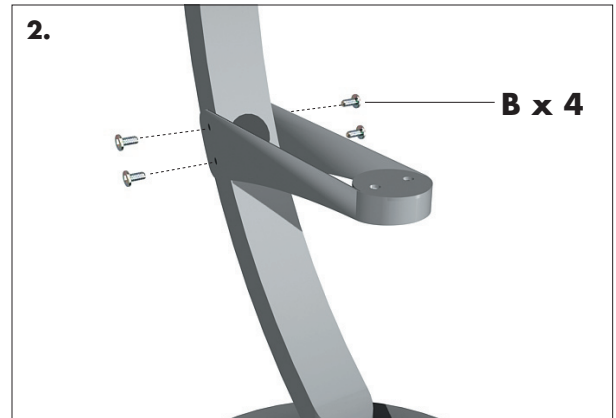
### Unpack and identify parts listed on the previous page.

The assembly workspace should be a non-marring surface such as carpet. If any parts are missing or damaged contact BDI Customer Service at: [customerservice@bdiusa.com](mailto:customerservice@bdiusa.com)

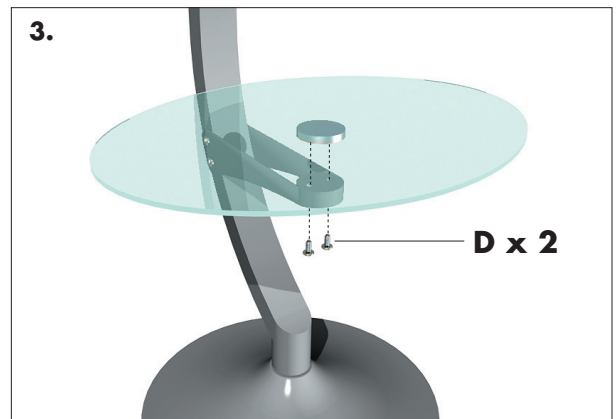


**Install Column.** Insert the **column** into the top opening of the **base**. By laying these parts on their side, install the **ballast** to the bottom of the base using the **part A** and the **M8 allen wrench**.

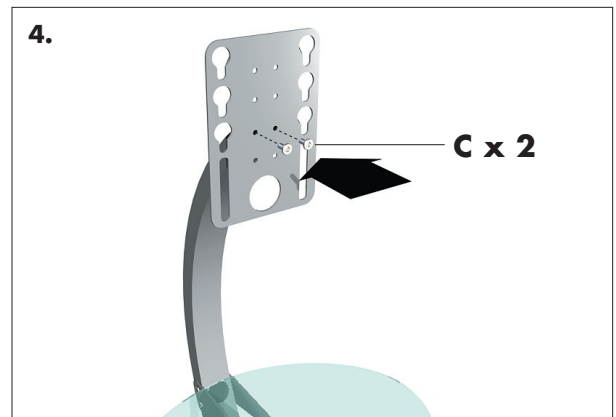
**Wire Management.** Once the unit is assembled, and the TV is ready for mounting, guide all wires connecting from the component to the TV (including power cords) through any of the three cable management holes provided.



**Install shelf bracket** near the center of the column area, near the center cable management hole. Use **part B**, and **M4 allen wrench** to attach the shelf bracket.



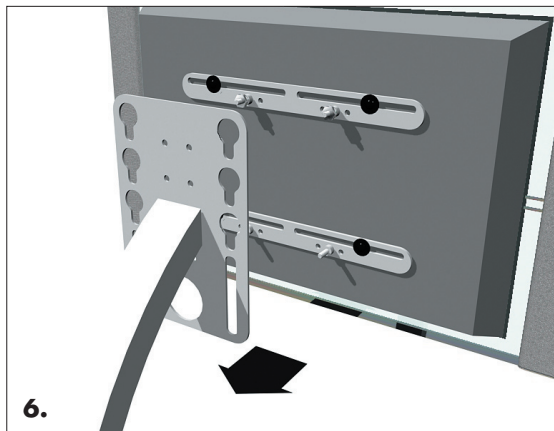
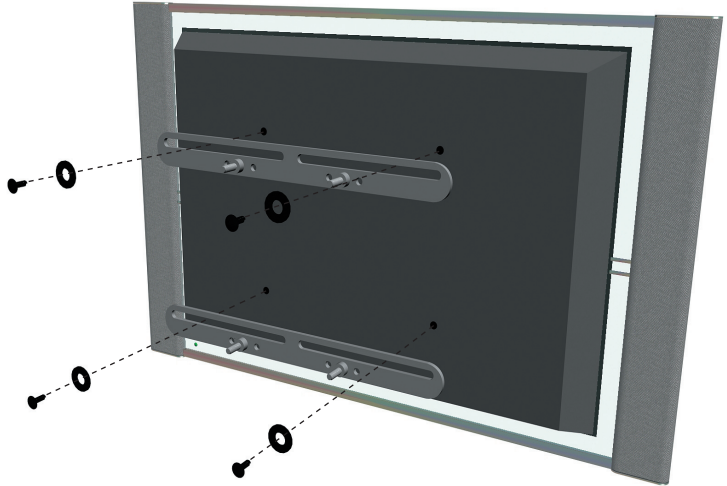
**Install glass shelf** to the **shelf bracket** using **part D**, **lock washer** and **M5 allen wrench**.



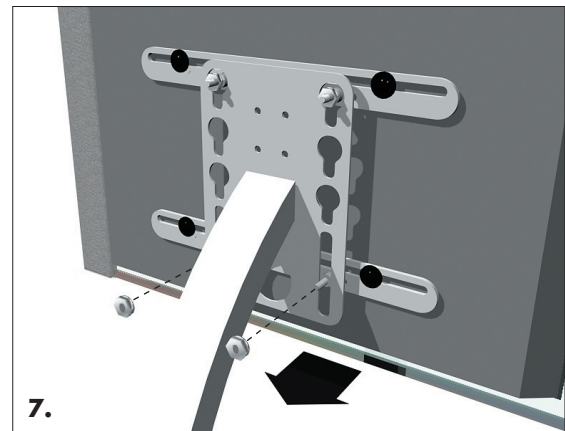
**4. Install UMB mounting plate** to the top of the column using the **part C**, and **M5 allen wrench**.

## Step 5

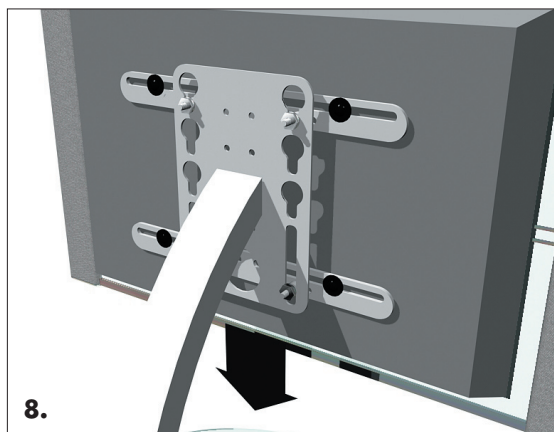
**Install UMB Bars.** Find mounting screws that came with your flat screen TV. If screws are not available, find the **short** Phillips head mounting screws provided with Aspect (provided in the second blister pack) that thread cleanly into the mounting holes in the back of your TV. The following thread sizes are included: **M4, M5, M6, and M8**. Attach both **UMB bars** to TV as shown using **washers** and **Phillips screwdriver**. **Note:** If back of TV has a curved surface, or, if bars do not sit flat, use **spacers** and **long mounting screws** provided. Make sure **UMB bars** are centered left to right! **Fully tighten bars to TV!**



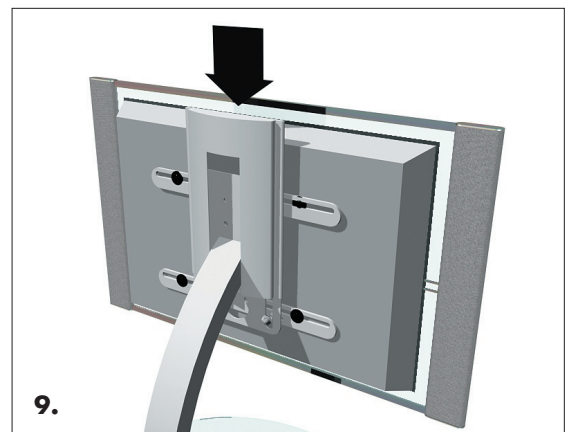
**6.** **Install TV** at desired height near by inserting the threaded studs into key holes. Note\* **Nuts** are provided in the second hardware blister pack and must be threaded on the studs of the **top UMB bar** in order to prevent any damage to the TV.



**7.** Once the threaded studs are positioned through the key holes and slots, lower the TV into resting position.



**8.** **Install the second set of nuts** to the threaded studs of the **bottom UMB bar**. Use **Bubble Leveler** provided to ensure that TV is level. Once leveled, fully tighten all of the nuts!



**9.** **Install UMB cover plate** by sliding it over the top of the **UMB face plate**.