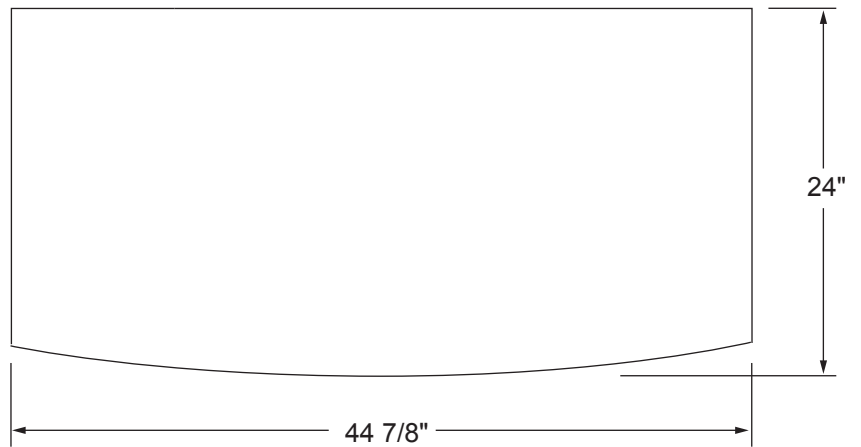


**Weight Limit Recommendation (in lbs.)**

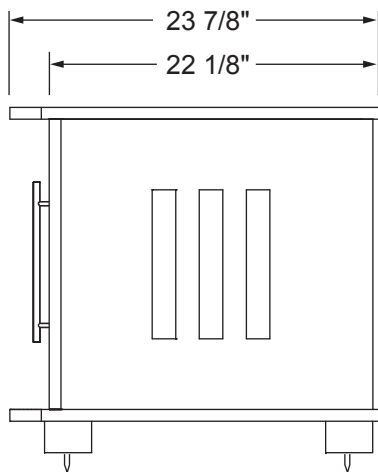
200

60	60
100	100

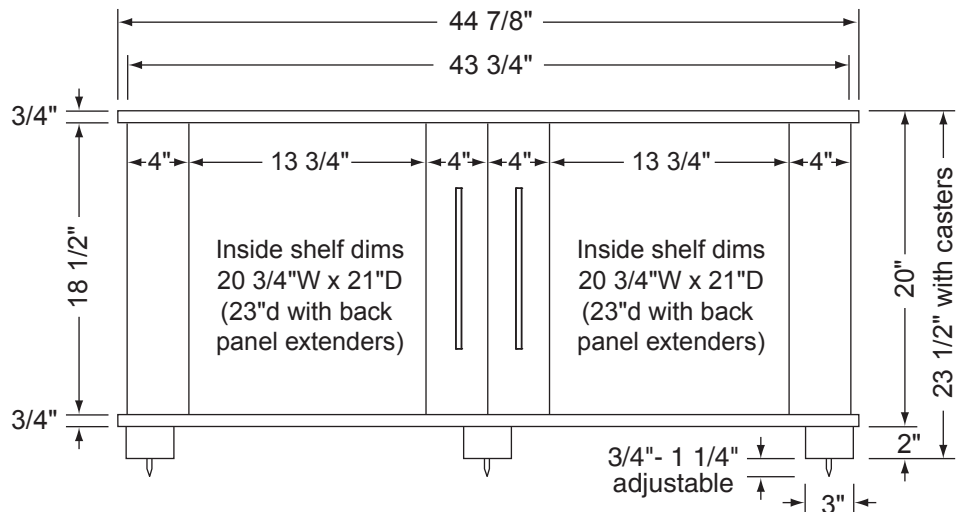
Note:  
Total weight not to exceed 300 lbs



**TOP VIEW**



**SIDE VIEW**



**FRONT VIEW**

Usable inside shelf size (w x d): 20 3/4" x 21" (20 3/4" x 23" with Back Panel Extenders)

Weight Capacity of Top Shelf See diagram above

Weight Capacity of Adjustable Interior Shelf: See diagram above

Usable inside dimensions (w x h): 20 3/4" x 18 1/2"

Carpet Spikes: Brass with locking nut (included)

Vinyl Glides: Threaded plastic foot with locking nut (included)

Rolling Casters: (optional)

No. of shelves included: 4 (2 adjustable)

Additional shelves: (optional)