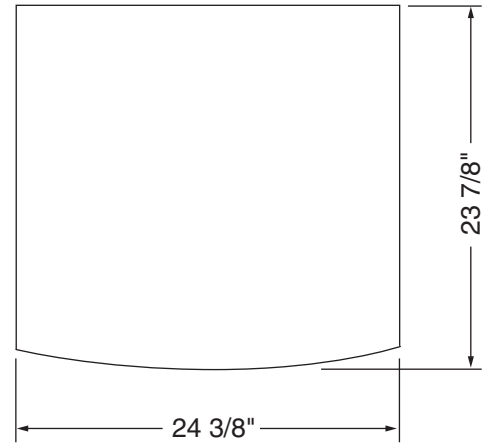
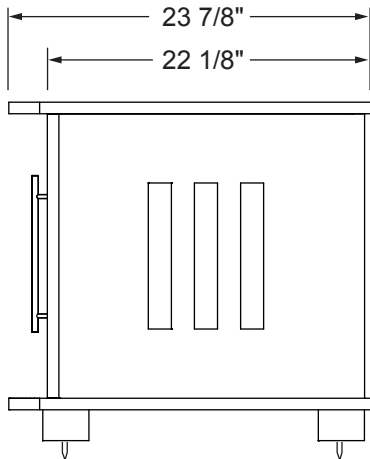


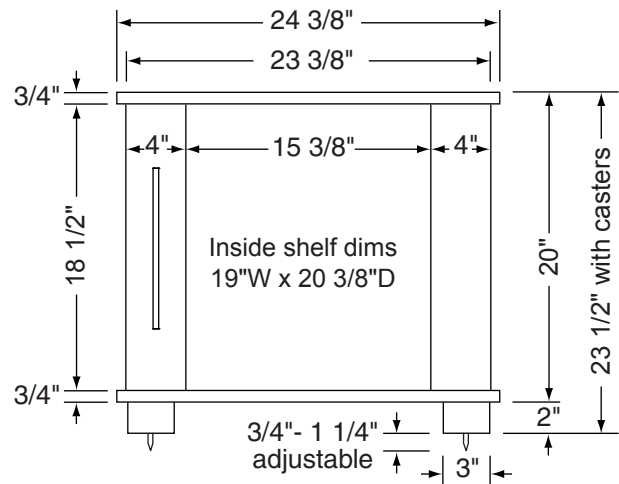
Weight Limit Recommendation (in lbs.)	
200	Note: Total weight not to exceed 200 lbs
60	
100	



TOP VIEW



SIDE VIEW



FRONT VIEW

Usable inside shelf size (w x d): 19" x 20 3/8"

Weight Capacity of Adjustable Interior Shelf: See diagram above

Usable inside dimensions (w x h): 19" x 18 1/2"

Carpet Spikes: Brass with locking nut (included)

Vinyl Glides: Threaded plastic foot with locking nut (included)

Rolling Casters: (optional)

No. of shelves included: 2 (1 adjustable)

Additional shelves: (optional)