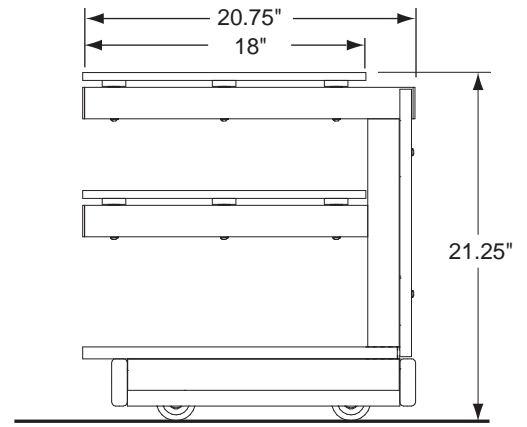


| Weight Limit (lbs.) | | | |
|---------------------|-----|-----|--|
| 250 | | | |
| 75 | 75 | 75 | |
| 100 | 100 | 100 | |

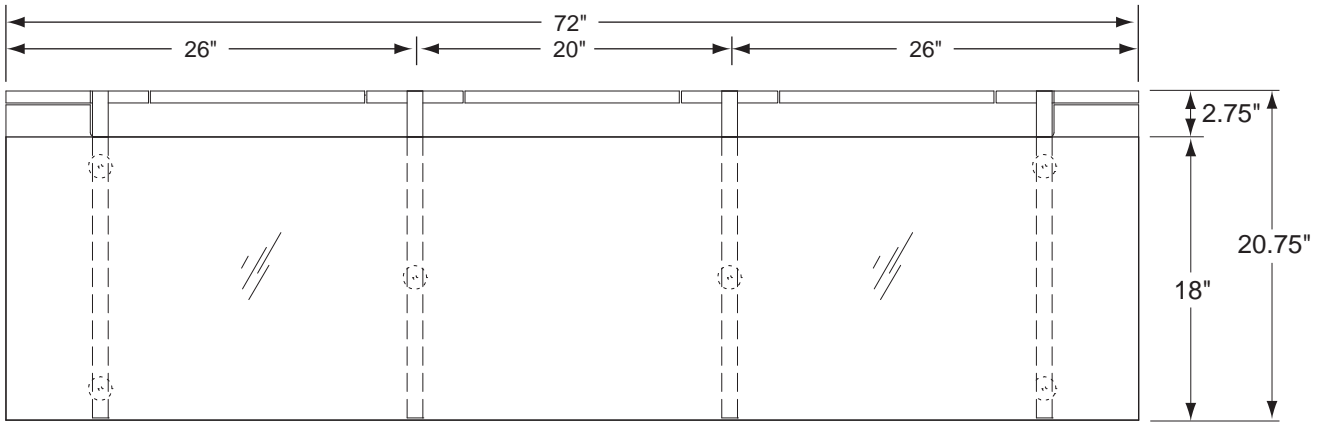
Total weight not to exceed 400 lbs

A



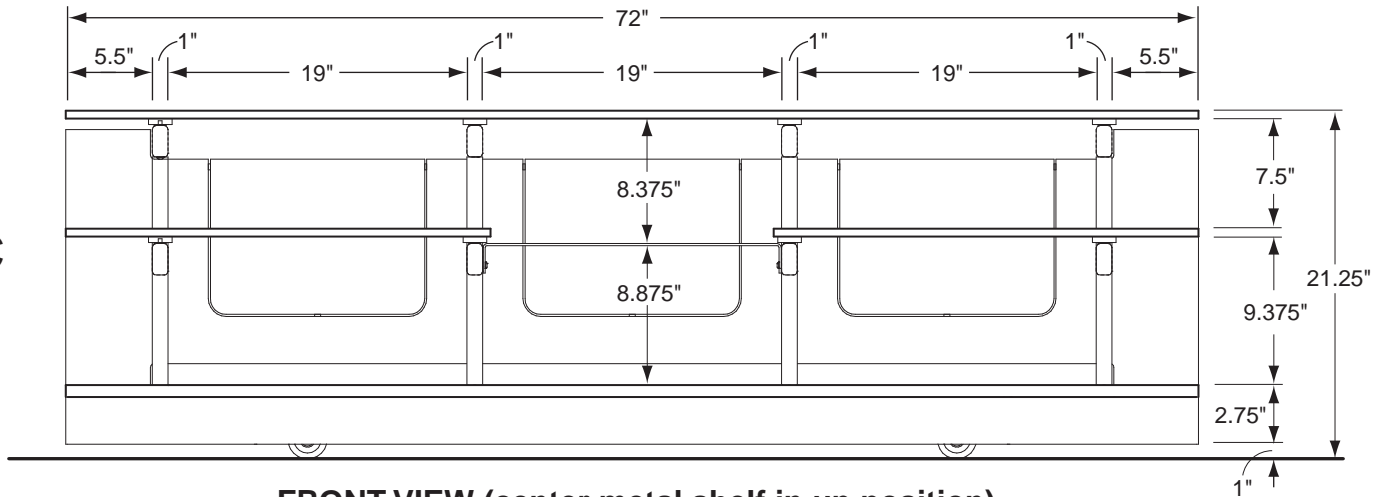
SIDE VIEW

B



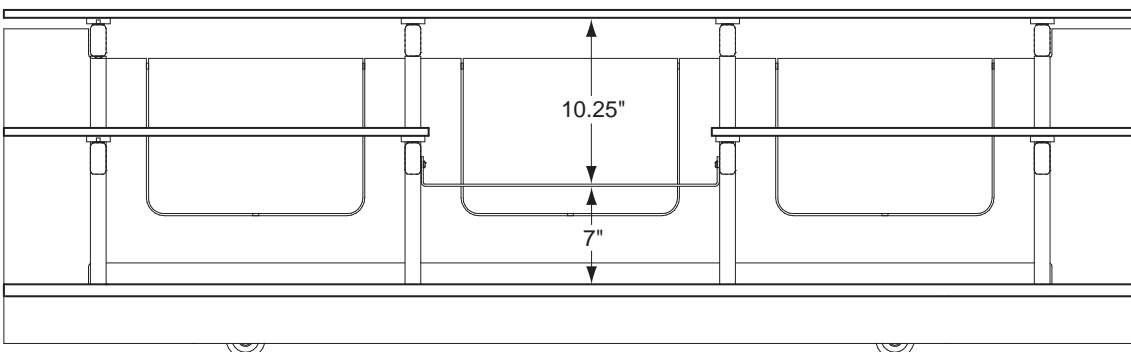
TOP VIEW

C



FRONT VIEW (center metal shelf in up position)

D



FRONT VIEW (center metal shelf in down position)