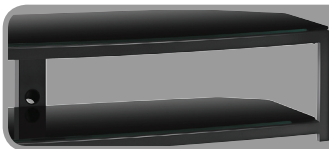


# Product Information Sheet



## G362

OmniMount an innovator of A/V mounts and furniture for more than a quarter century, is the choice of professional installers and the brand most recommended by flat panel manufacturers. With a low profile appearance, integrated cable management and a floating shelf design, the Stellar Series is considered the perfect A/V furniture for large-screen LCDs, DLPs and components. The G362 is a 2-shelf video table for flat panels and DLPs up to 60", perfect for pairing with a matching audio tower.



Now offered in Dark – high gloss black with black glass – the Stellar Series is a perfect match for the newest high gloss panels and components

### BENEFITS

- 2-shelf flat panel video table manages extra large flat panels, DLPs and multiple components
- Neatly route and organize wires through cable management post
- Unique floating shelf design
- Use with Stellar Series audio towers
- New high gloss black color option complements A/V equipment

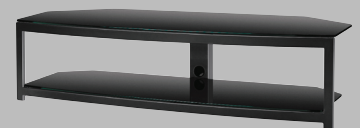
### SPECIFICATIONS

- Accommodates up to 60" flat panels and DLPs
- Top tempered glass shelf supports up to 250 lbs (113.4 kg)
- Bottom shelf supports up to 50 lbs (22.7 kg)
- Available in Dark with black glass and Grey with clear glass
- 60" w x 15.8" h x 19" d

## The Stellar Series



Floor Stands



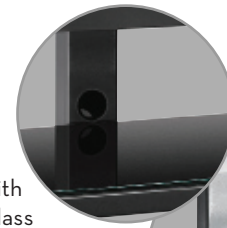
Video Tables



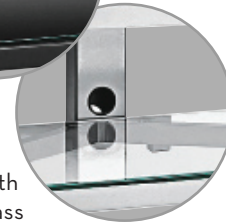
Audio Towers



## G362



Dark with black glass



Grey with clear glass

### BENEFITS

- 2-shelf flat panel video table manages extra large flat panels, DLPs and multiple components
- Neatly route and organize wires through cable management post
- Unique floating shelf design
- Use with Stellar Series audio towers
- New high gloss black color option complements A/V equipment

### SPECIFICATIONS

- Accommodates up to 60" flat panels and DLPs
- Top tempered glass shelf supports up to 250 lbs (113.4 kg)
- Bottom shelf supports up to 50 lbs (22.7 kg)
- Available in Dark with black glass and Grey with clear glass
- 60" w x 15.8" h x 19" d

	Color	Stock Code	Packaging UPC
Americas	Dark	1004231-1	728901022135
International	Dark	1002580-1	728901014000
Americas	Grey	1002038-1	728901013997
International	Grey	1002193-1	728901013997

	Dimensions WxDxH inches (mm)	Wt lbs (kg)
Product Box	64.4 x 23.1 x 6.7 (1635x586x171)	110.9 (50.3)

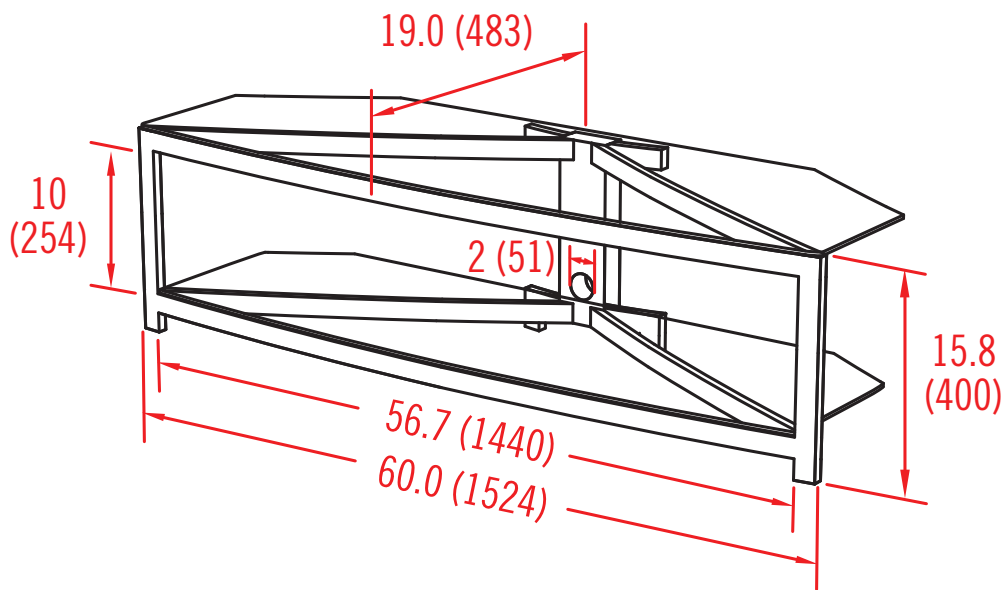
Box Contents	Qty
Back post	1
Front frame	1
Support leg	4
Glass shelf	2

Box Contents	Qty
Foot protector	4
Complete furniture assembly hardware kit	1
Instruction manual	1

OmniMount an innovator of A/V mounts and furniture for more than a quarter century, is the choice of professional installers and the brand most recommended by flat panel manufacturers. With a low profile appearance, integrated cable management and a floating shelf design, the Stellar Series is considered the perfect A/V furniture for large-screen LCDs, DLPs and components. The G362 is a 2-shelf video table for flat panels and DLPs up to 60", perfect for pairing with a matching audio tower.



# G362



inches (mm)