

Product Information Sheet



G303FP

OmniMount an innovator of A/V mounts and furniture for more than a quarter century, is the choice of professional installers and the brand most recommended by flat panel manufacturers. With a low profile appearance, integrated cable management and a floating shelf design, the Stellar Series is considered the perfect A/V furniture for large-screen LCDs, DLPs and components. The G303FP is a medium flat panel floor stand with sturdy component space built in.



Now offered in Dark – high gloss black with black glass – the Stellar Series is a perfect match for the newest high gloss panels and components

BENEFITS

- 3-shelf flat panel floor stand manages a medium flat panel and multiple components
- Neatly route and organize wires through cable management post
- Unique floating shelf design
- Use with Stellar Series audio towers
- New high gloss black color option complements A/V equipment
- Cascading shelves

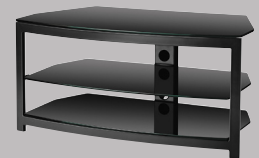
SPECIFICATIONS

- Accommodates most 23" to 42" flat panels up to 80 lbs (36.3 kg)
- Tempered glass shelves support up to 50 lbs (22.7 kg) each
- Tilts -5° to +15° up and down to reduce glare
- Pans up to 15° left and right to adjust viewing angle
- VESA compliant: 100x100, 100x200, 200x200
- Available in Dark with black glass and Grey with clear glass
- 20.5" w x 46" h x 21.8" d

The Stellar Series



Floor Stands



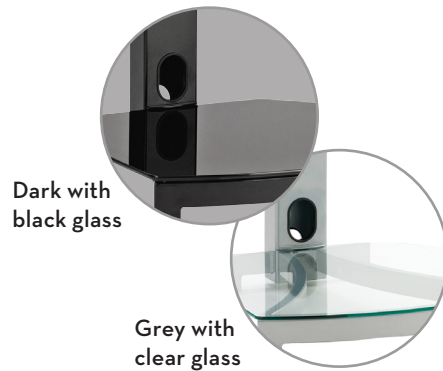
Video Tables



Audio Towers



G303FP



BENEFITS

- 3-shelf flat panel floor stand manages a medium flat panel and multiple components
- Neatly route and organize wires through cable management post
- Unique floating shelf design
- Use with Stellar Series audio towers
- New high gloss black color option complements A/V equipment
- Cascading shelves

SPECIFICATIONS

- Accommodates most 23" to 42" flat panels up to 80 lbs (36.3 kg)
- Tempered glass shelves support up to 50 lbs (22.7 kg) each
- Tilts -5° to +15° up and down to reduce glare
- Pans up to 15° left and right to adjust viewing angle
- VESA compliant: 100x100, 100x200, 200x200
- Available in Dark with black glass and Grey with clear glass
- 20.5" w x 46" h x 21.8" d

	Color	Stock Code	Packaging UPC
Americas	Dark	1004226-1	728901022081
International	Dark	1003423EU-1	728901019302
Americas	Grey	1003287-1	728901019296
International	Grey	1003287EU-1	728901019296

	Dimensions WxDxH inches (mm)	Wt lbs (kg)
Product Box	50 x 25.2 x 6.3 (1270x640x160)	75.4 (34.2)

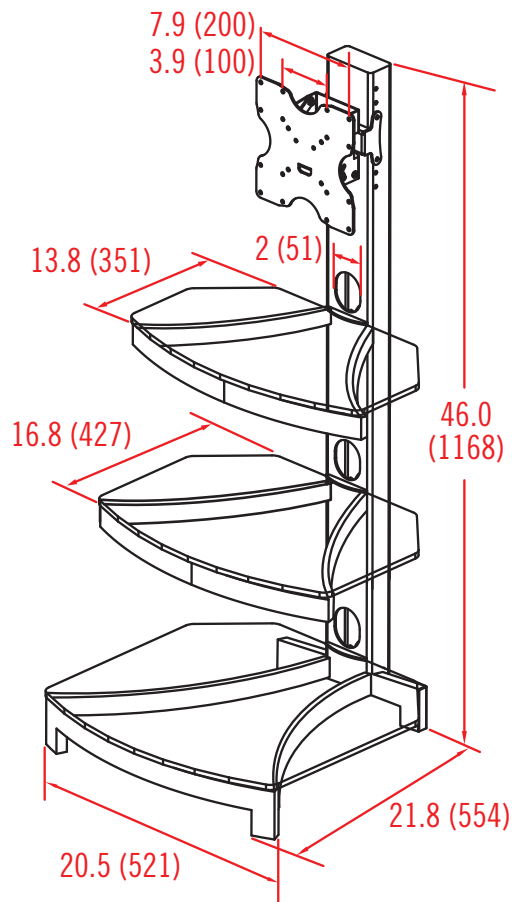
Box Contents	Qty
Back post	1
Base frame	1
VESA plate	1
Head assembly	1
Shelf bracket	2

Box Contents	Qty
Glass shelf	3
Foot protector	4
Complete furniture assembly hardware kit	1
Complete panel attachment hardware kit	1
Instruction manual	1

OmniMount an innovator of A/V mounts and furniture for more than a quarter century, is the choice of professional installers and the brand most recommended by flat panel manufacturers. With a low profile appearance, integrated cable management and a floating shelf design, the Stellar Series is considered the perfect A/V furniture for large-screen LCDs, DLPs and components. The G303FP is a medium flat panel floor stand with sturdy component space built in.



G303FP



inches (mm)