

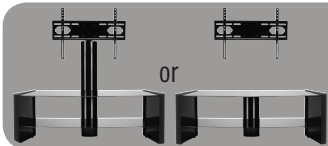
Product Information Sheet

CORE
COLLECTION
by omnimount



Verona 55FP

The Core Collection is OmniMount's tried and true furniture collection made up of several different series of steel and glass A/V furniture. With clean lines, black glass and various high-gloss finishes, these pieces blend seamlessly into any environment. Semi-enclosed architecture, curved edges and a streamlined design combine with all-in-one functionality to make the Verona Series the perfect functional and chic addition to any environment. Engineered with extra height to provide comfortable viewing angles in any room, including bedrooms, the Verona 55FP's all-in-one design is ideal for medium flat panel TVs, offering you functionality while fitting in to any decor.



The Verona 55FP can be used as a flat panel floor stand, or the mount and table can be separated to use individually.

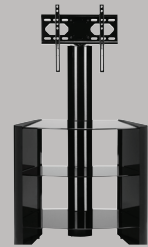
BENEFITS

- Uniquely designed to be used as a flat panel floor stand, or separate video table and mount
- Rails can attach in two places, giving you a choice in vertical positioning
- Ideal for corners or flat against a wall
- Semi-enclosed structure accommodates and helps conceal multiple components
- Includes universal adapter for greater panel compatibility
- Lift n Lock™ allows you to easily attach your flat panel to the mount
- Neatly route and organize wires through cable management post
- Includes anti-tip kit for tethering panel to wall
- Locking system secures panel to mount
- Adjustable plastic feet aid in leveling and protect floors
- Easy to assemble

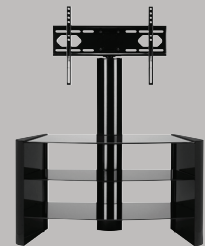
SPECIFICATIONS

- Accommodates most 42" - 55" flat panels up to 100 lbs (45.4 kg)
 - Tempered glass top shelf supports up to 100 lbs (45.4 kg)*
 - One tempered glass component shelves support up to 50 lbs (22.7 kg)*
 - Universal and VESA compliant: 100x100 to 400x600
 - Pan: 30° left and right (when used as a flat panel floor stand)
 - Mount Profile: 1.38" (35mm)
 - Color: Black with black glass
 - Dimensions: 49.7" w x 41.1" h x 20.1" d (1262mm x 1045mm x 510mm)
- *200 lbs maximum for the unit

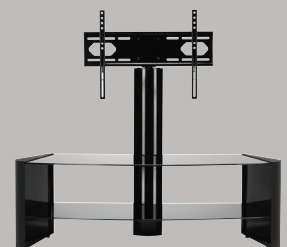
The Verona Series



Verona 37FP



Verona 47FP



Verona 55FP

Verona 55FP

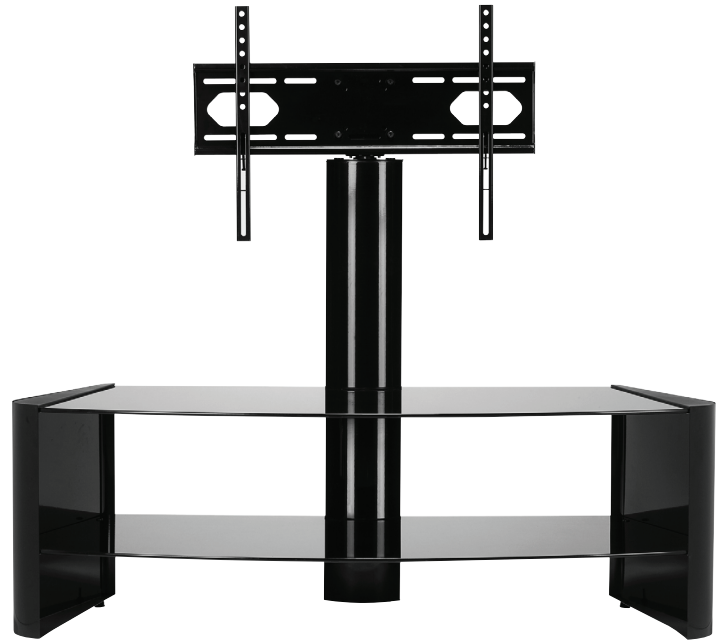
BENEFITS

- Uniquely designed to be used as a flat panel floor stand, or separate video table and mount
- Rails can attach in two places, giving you a choice in vertical positioning
- Ideal for corners or flat against a wall
- Semi-enclosed structure accommodates and helps conceal multiple components
- Includes universal adapter for greater panel compatibility
- Lift n Lock™ allows you to easily attach your flat panel to the mount
- Neatly route and organize wires through cable management post
- Includes anti-tip kit for tethering panel to wall
- Locking system secures panel to mount
- Adjustable plastic feet aid in leveling and protect floors
- Easy to assemble

SPECIFICATIONS

- Accommodates most 42" - 55" flat panels up to 100 lbs (45.4 kg)
- Tempered glass top shelf supports up to 100 lbs (45.4 kg)*
- One tempered glass component shelves support up to 50 lbs (22.7 kg)*
- Universal and VESA compliant: 100x100 to 400x600
- Pan: 30° left and right (when used as a flat panel floor stand)
- Mount Profile: 1.38" (35mm)
- Color: Black with black glass
- Dimensions: 49.7" w x 41.1" h x 20.1" d
(1262mm x 1045mm x 510mm)

*200 lbs maximum for the unit



	Color	Stock Code	Packaging UPC
Americas	BLK	1004808-1	728901026188
International	BLK	1004808INT-1	728901026188

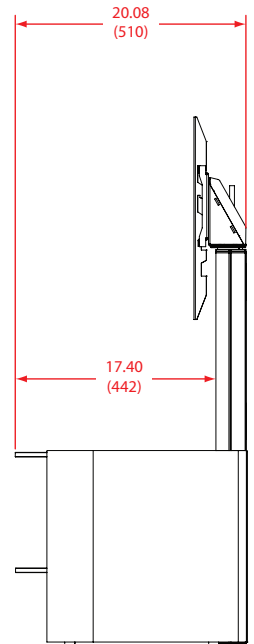
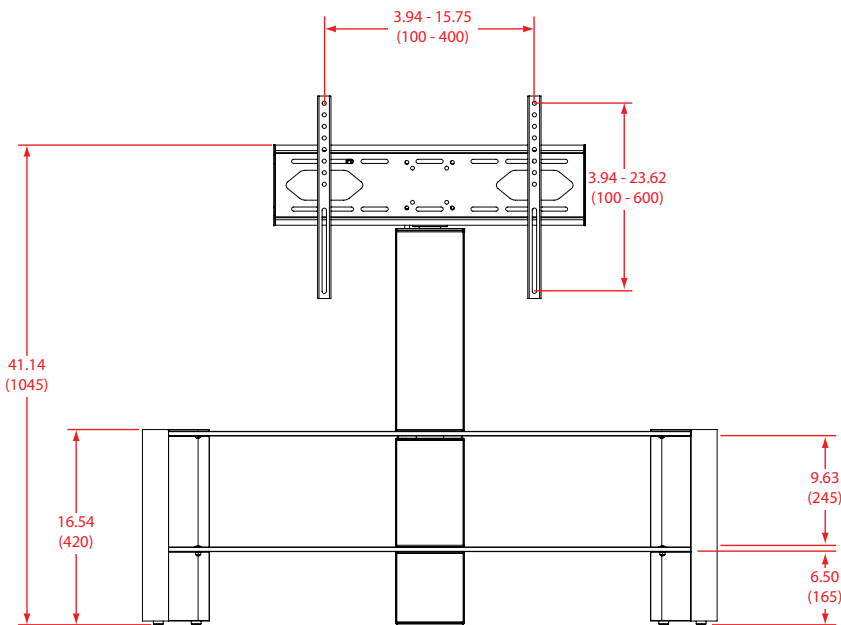
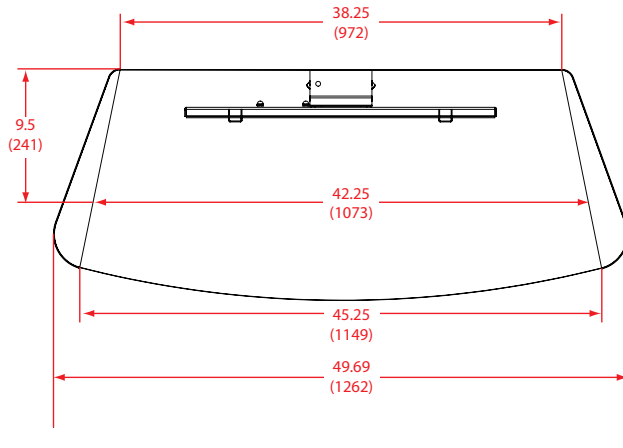
	Dimensions WxDxH inches (mm)	Wt lbs (kg)	Qty
Box	52.8 x 22.8 x 6.1 (1340x580x155)	84.9 (38.5)	NA
MC	NA	NA	NA

Box Contents	Qty
Vertical rail	2
Wall plate	1
Post section	3
Side panel	2
Top glass	1

Box Contents	Qty
Bottom glass	1
Complete furniture assembly hardware kit	1
Complete panel mounting hardware kit	1
Complete panel attachment hardware kit	1
Instruction manual	1

The Core Collection is OmniMount's tried and true furniture collection made up of several different series of steel and glass A/V furniture. With clean lines, black glass and various high-gloss finishes, these pieces blend seamlessly into any environment. Semi-enclosed architecture, curved edges and a streamlined design combine with all-in-one functionality to make the Verona Series the perfect functional and chic addition to any environment. Engineered with extra height to provide comfortable viewing angles in any room, including bedrooms, the Verona 55FP's all-in-one design is ideal for medium flat panel TVs, offering you functionality while fitting in to any decor.

Verona 55FP



inches (mm)