

Assembly Instructions

EL-501 AUDIO RACK

PLEASE NOTE:

The following numbers and letters correspond to the sketches in this instruction booklet.

CABINET PARTS:

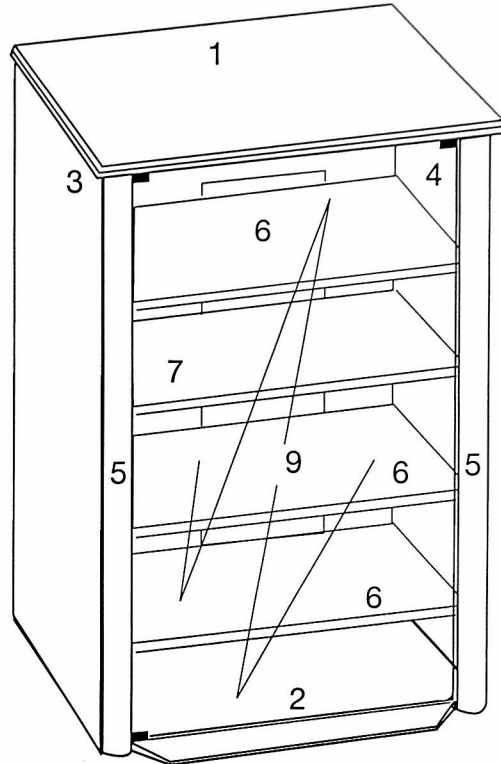
Part #:

1. Top Panel
2. Bottom Panel
3. Left Side Panel
4. Right Side Panel
5. 2 Front Support Panels (identical)
6. 3 Adjustable Shelves (identical)
7. Fixed Shelf
8. Back Panel
9. Glass Door

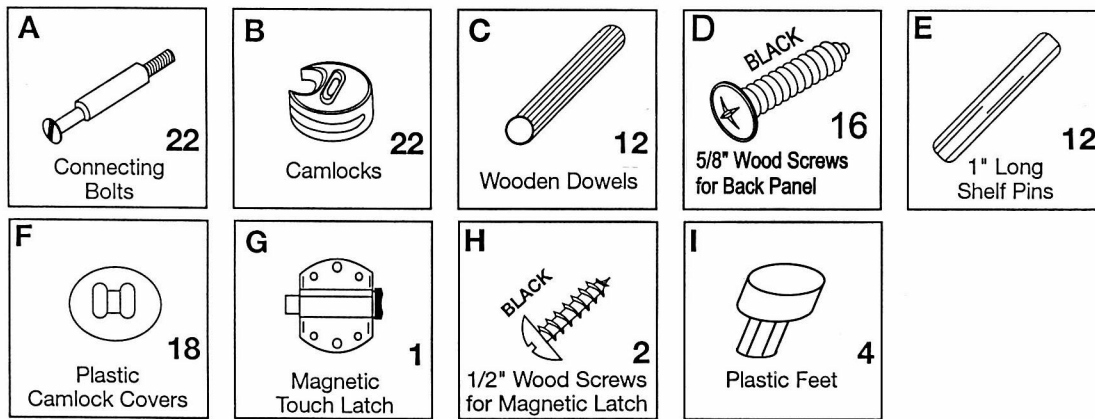
Thank you for purchasing this Elite product. You will need the following tools: Philips head screwdriver, Rubber padded hammer, Regular straight blade screwdriver.

PLEASE NOTE: In order to protect the finish, we recommend working on a padded or carpeted surface.

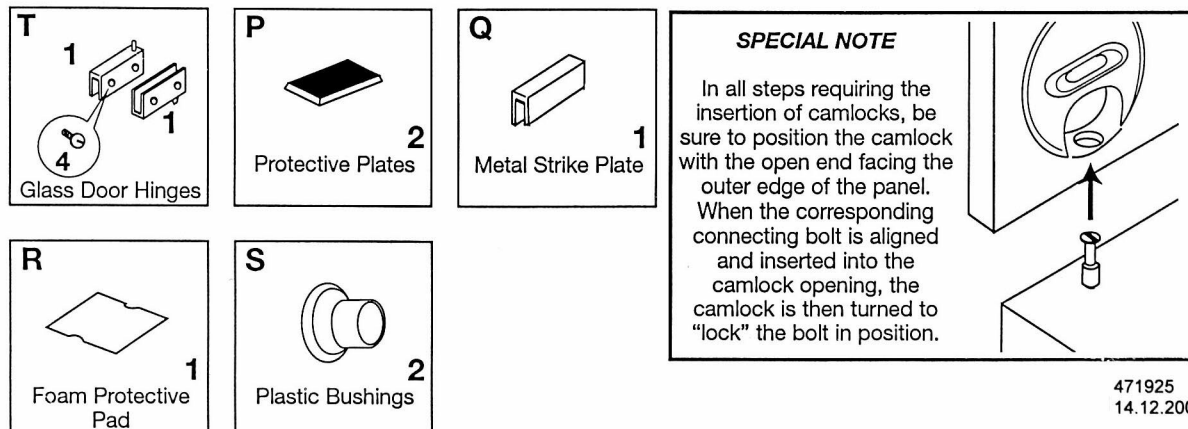
Before discarding the box, be sure that no parts are left inside.



Hardware for cabinet assembly



Hardware for doors' assembly

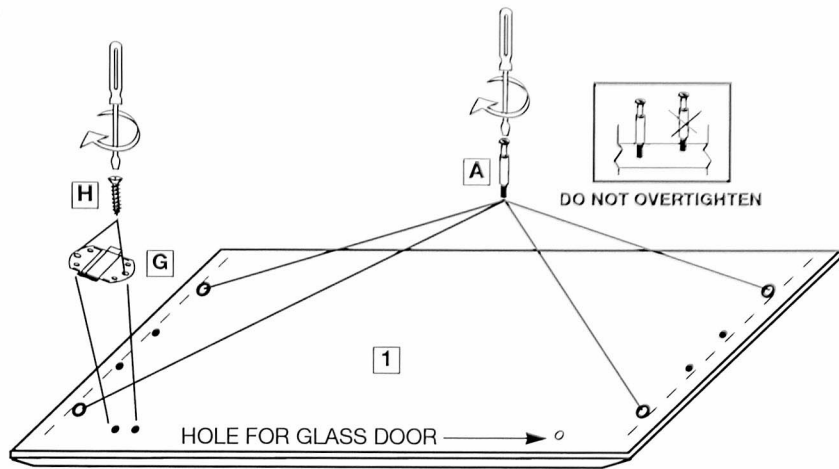


1 TOP PANEL PREPARATION

Place Top Panel (1) on padded surface with beveled edge surface down.

A. Insert 4 Connecting Bolts (A) into holes on outer edge as shown. Be careful – do not over tighten.

B. Attach Magnet Touch Latch (G) with 2 1/2" Wood Screws (H). Make sure magnetic edge faces front.

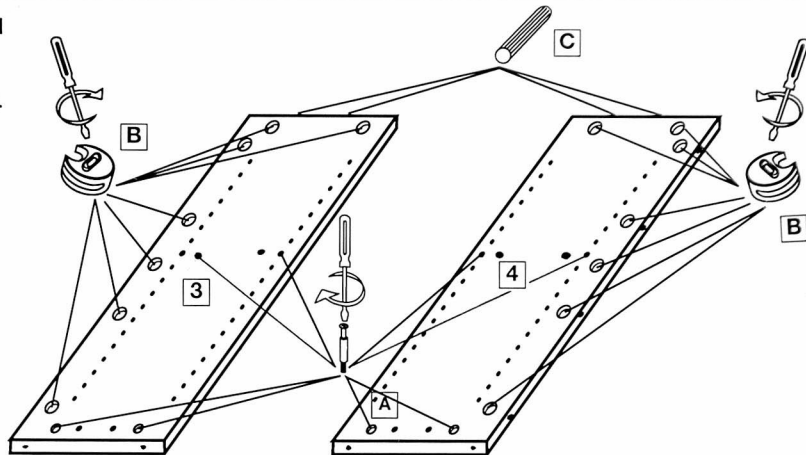


2 SIDE PANELS PREPARATION

A. Insert Camlocks (B) into 7 positions of each Side Panel (3, 4).

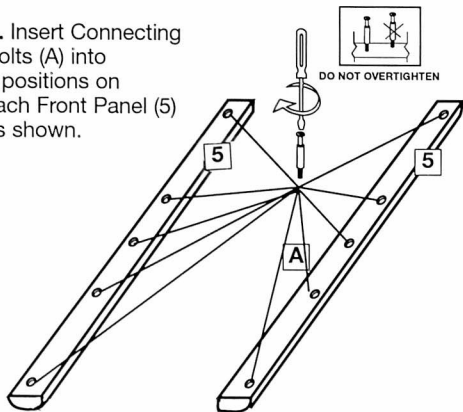
B. Insert Connecting Bolts (A) into 4 positions on each Side Panel (3, 4).

C. Insert Wooden Dowels (C) into 2 positions on each Side Panel (3, 4).



3 FRONT PANEL PREPARATION

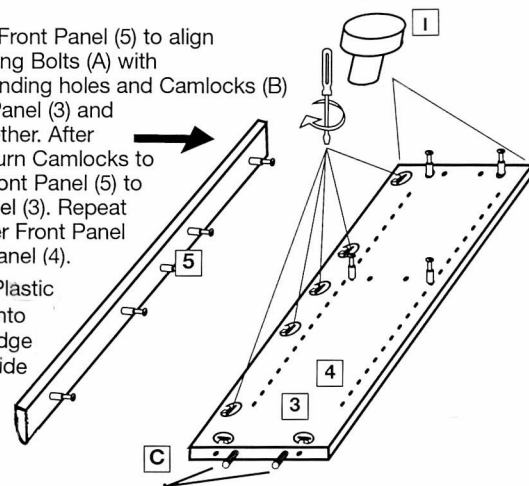
A. Insert Connecting Bolts (A) into 5 positions on each Front Panel (5) as shown.



4 SIDE PANEL & FRONT PANEL ASSEMBLY

Position Front Panel (5) to align Connecting Bolts (A) with corresponding holes and Camlocks (B) of Side Panel (3) and butt together. After joining, turn Camlocks to "lock" Front Panel (5) to Side Panel (3). Repeat with other Front Panel & Side Panel (4).

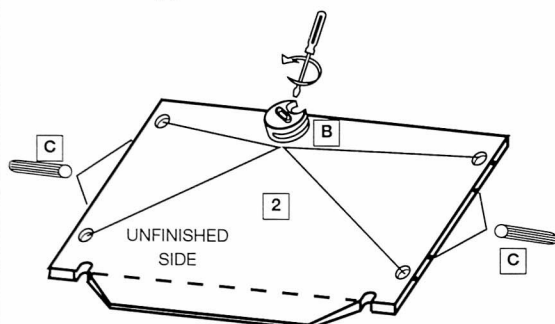
Insert 2 Plastic Feet (H) into bottom edge of each Side Panel.



5 BOTTOM PANEL PREPARATION

A. Insert Camlocks (B) into 4 positions as indicated on Bottom Panel (2).

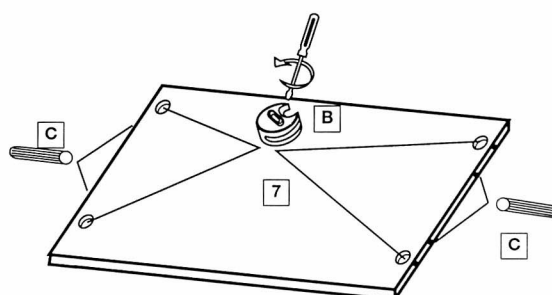
B. Insert Dowels (C) into 4 positions as indicated on Bottom Panel (2).



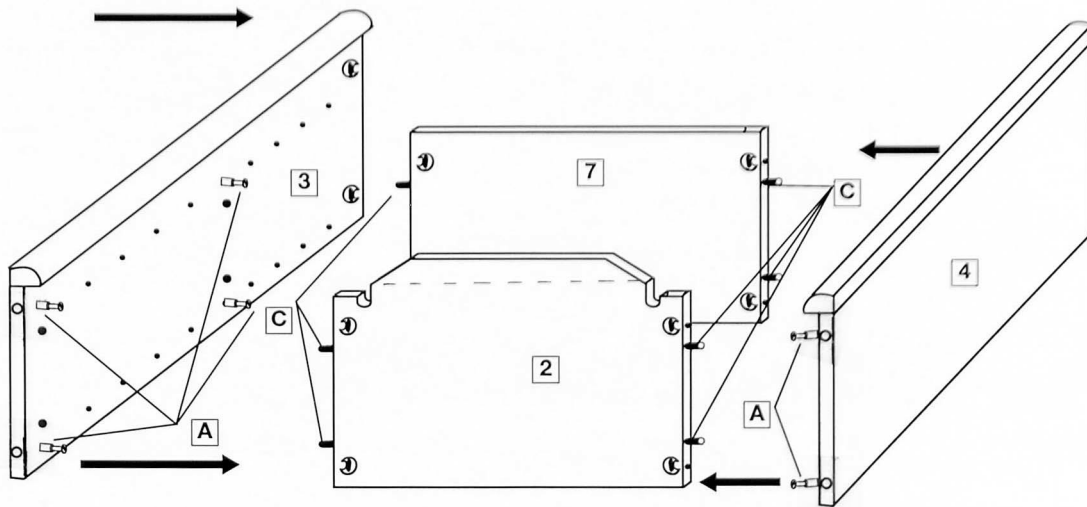
6 FIXED SHELF PREPARATION

A. Insert Camlocks (B) into 4 positions as indicated on Fixed Shelf (7).

B. Insert Dowels (C) into 4 positions as indicated on Fixed Shelf (7).



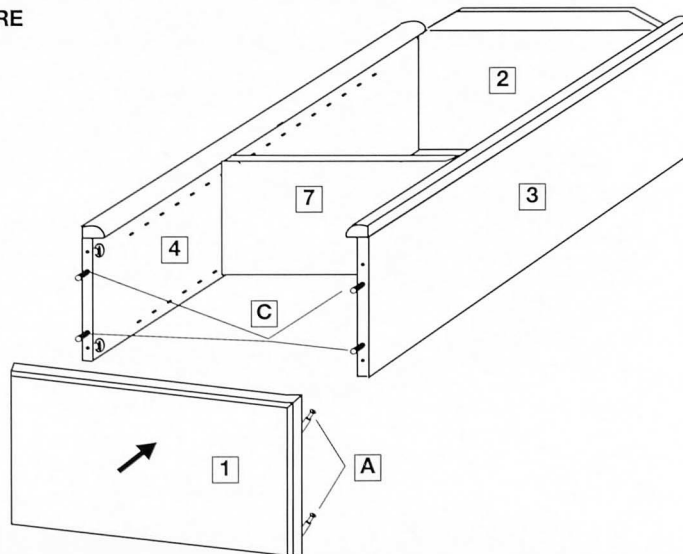
7 BOTTOM AND SIDE PANEL ASSEMBLY.



Align Wooden Dowels (C) of Bottom Panel (2) and Fixed Shelf (7) with holes on Side Panel (3). At the same time align Connecting Bolts (A) of Side Panel (3) with Camlocks (B) of Bottom Panel (2) and Camlocks of Fixed Shelf (7). Butt together. Turn 2 Camlocks (B) of Bottom Panel (2) and 2 Camlocks (B) of Fixed Shelf (7) to "lock" position. Repeat procedure with Bottom Panel (2) and Side Panel (4).

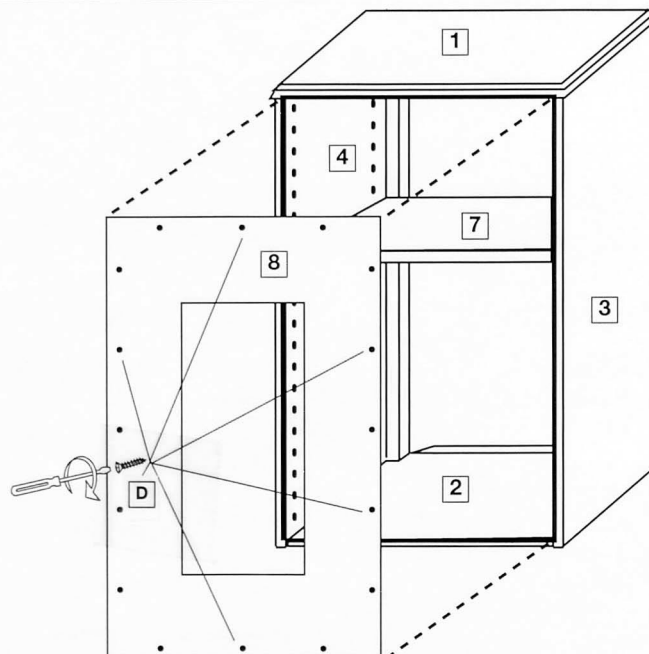
8 ADD TOP PANEL TO STRUCTURE

Align Connecting Bolts (A) of Top Panel (1) with corresponding Camlocks of Side Panels (3 & 4). Butt together. Turn Camlocks to "lock."



9 BACK PANEL

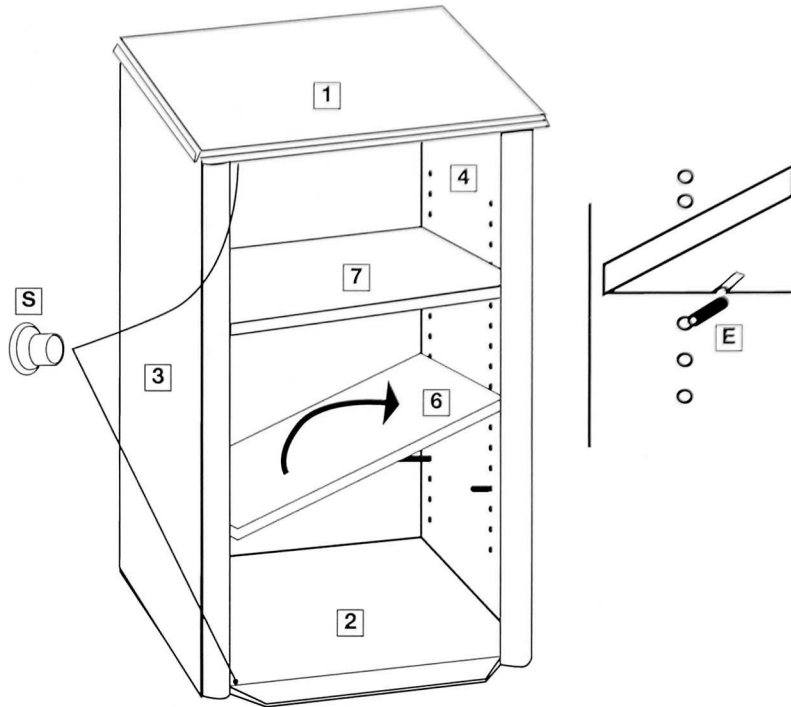
Position back panels to back of unit and connect using all black 5/8" screws (D).



10 ADJUSTABLE SHELVES

Using Shelf Pins (E), position Adjustable Shelf (6) as desired. Start with the lowest shelf position desired, tilting the shelf up on one side and lowering onto Shelf Pins (E) as shown.

Add Plastic Bushings (S) to Holes for Glass Door (9) on Bottom Panel (2) and Top Panel (1).



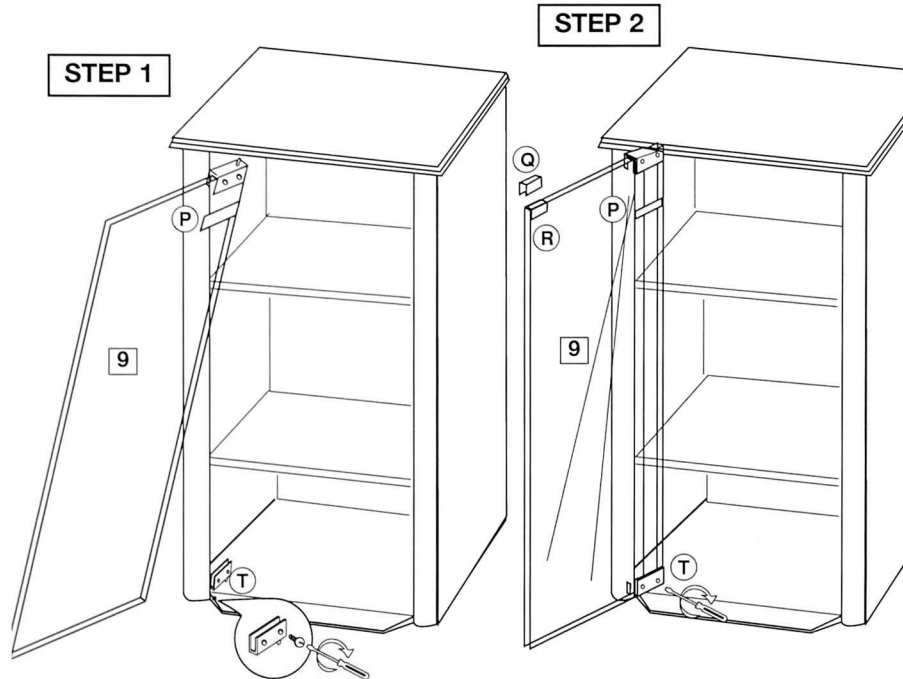
11 GLASS DOORS

Fit top hinge (T) over top corner of glass door. Slip protective plate (P) between glass and hinge setting screws. Slightly tighten screws carefully. Insert bottom hinge (T) into bottom bushing and slip door into hinge, after inserting top corner. Slip protective plate (P) between glass and hinge setting screws. Tighten screws carefully.

NOTE: If door does not fit properly, loosen setting screws and slide door in hinge as necessary. Make sure setting screws stay in contact with protective plates when tightened. Remove paper backing from foam pad (R) and attach/wrap over top right corner of door. Do not stretch. Slide metal strike plate (Q) over pad.

ATTACH TOP HINGE FIRST

For finishing touch, cover all metal camlocks (B) with plastic camlock covers (F).



Congratulations and enjoy your new ELITE product!

To clean your unit, apply window cleaner with soft tissue. This will also eliminate slight surface abrasions or scratches that may have occurred in shipping or handling.

Distributed by: Elite Industries
77 Gould Street • Bayonne, NJ 07002

Elite Industries ensures complete satisfaction with this product. In the event of missing or damaged parts call toll free, **Customer service hours: 8:45-4:45, Monday-Friday, EST.**

1-800 ELITE-48

Tel.: 201-436-1120 • Fax: 201-436-6960