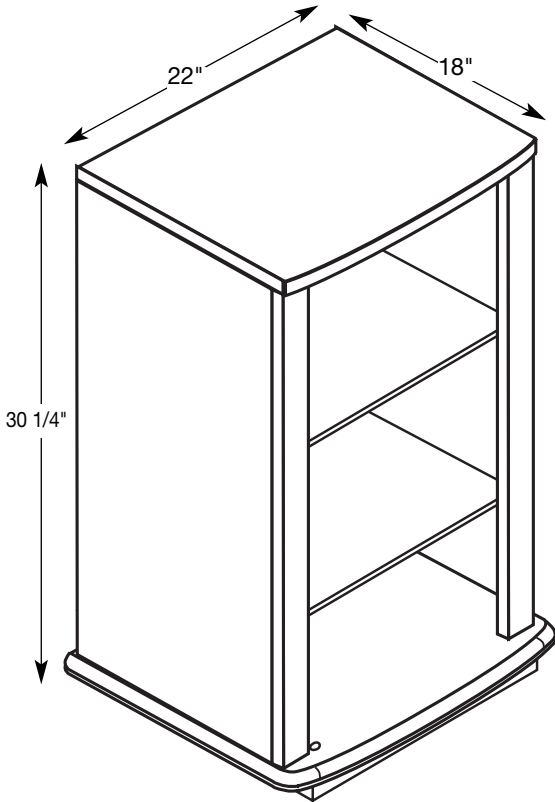




Thank you for purchasing this Elite product. You will need the following tools:
Phillips Head Screw Driver • Straight Blade Screw Driver • Rubber Padded Hammer or Mallet

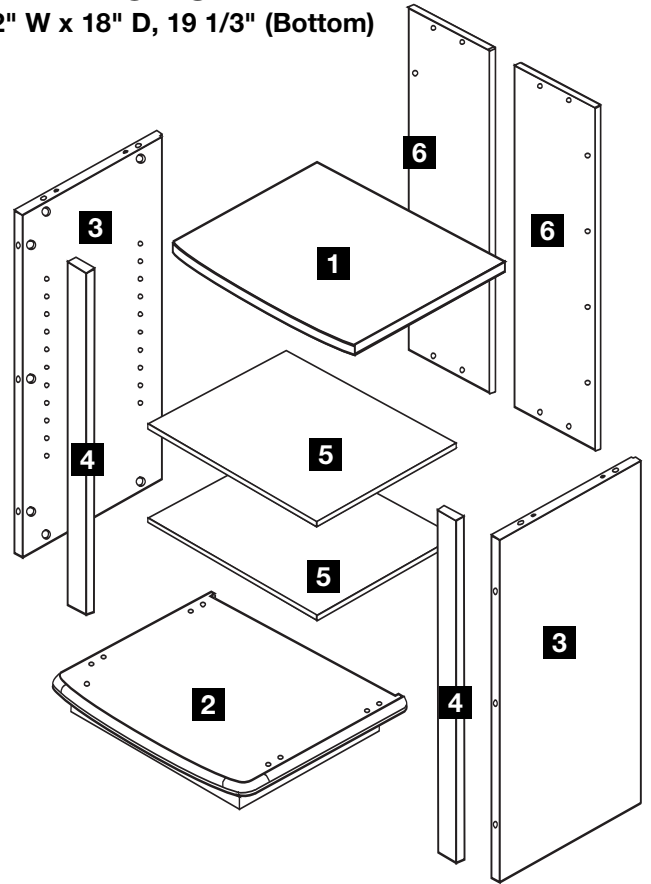
ASSEMBLY INSTRUCTIONS
EL149 S — SWIVEL BASE HI-BOY STAND
OVERALL DIMENSIONS: 30 1/4" H x 22" W x 18" D, 19 1/3" (Bottom)



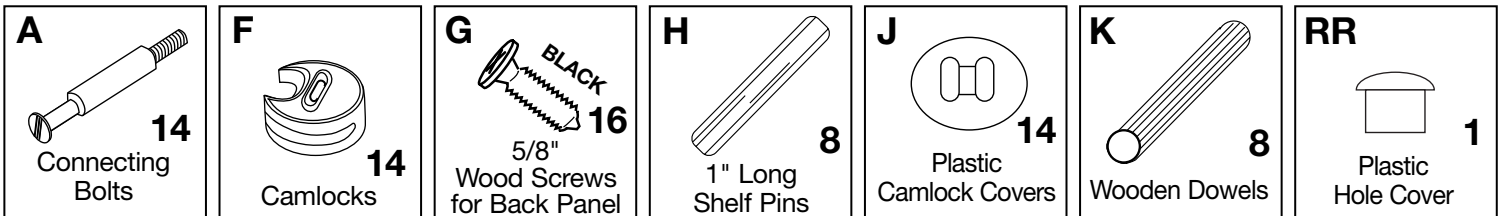
PLEASE NOTE:
The following numbers and letters correspond to the sketches in this instruction booklet.

CABINET PARTS:

1. Top Panel
2. Bottom Panel with attached Base and Swivel Mechanism.
3. Left and Right Side Panels (identical)
4. Two Vertical Mouldings (identical)
5. Two Adjustable Shelves (identical)
6. Back Panel (2 identical parts)

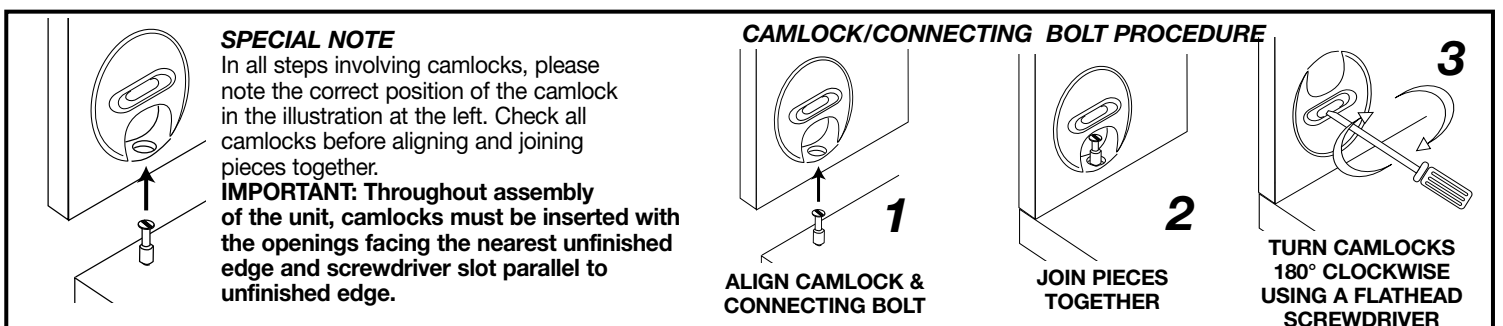


Hardware for unit assembly



IMPORTANT NOTES & CAUTIONS/WARNINGS

- Carefully read and follow these instructions for assembly.
- Please handle parts carefully, some parts may be heavy.
- To protect the unit and your flooring surface we recommend working on a padded or carpeted area, you may also use the open box the unit came in for this purpose.
- For proper construction & integrity/assembly and for TV weight support and safety, all connections need to be sufficiently tight. However, do not over-tighten connections to the point of stripping screw threadings. Parts are designed to fit together tightly, however, avoid excessive force but rather align & fit panels together methodically and with patience.
- For some heavy or large units, it may be recommended for 2 people to work together on this assembly.
- It is extremely important to attach the **BACK PANEL** as instructed within this manual. Such panels are crucial for the stability and structural support of the unit.
- Please read additional **important safety information** at the end of this instruction manual.
- We urge you to keep this manual with your unit for future reference.

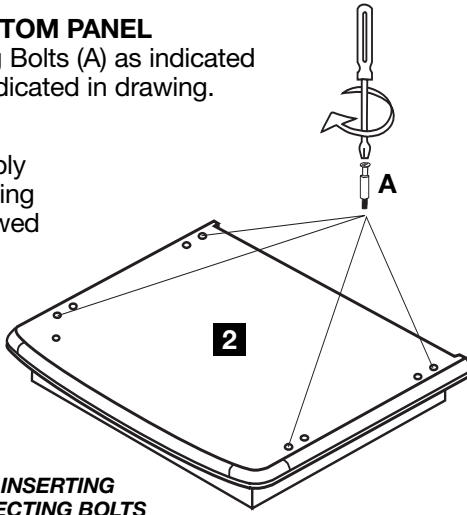


1 PREPARE BOTTOM PANEL

Insert 4 Connecting Bolts (A) as indicated into the holes as indicated in drawing.

IMPORTANT:

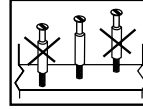
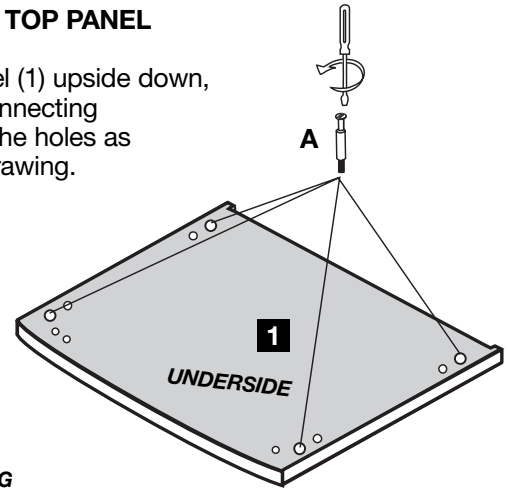
Throughout assembly of the unit, connecting bolts must be screwed in completely, however **do not overtighten**.



WHEN INSERTING CONNECTING BOLTS DO NOT OVERTIGHTEN

2 PREPARE TOP PANEL

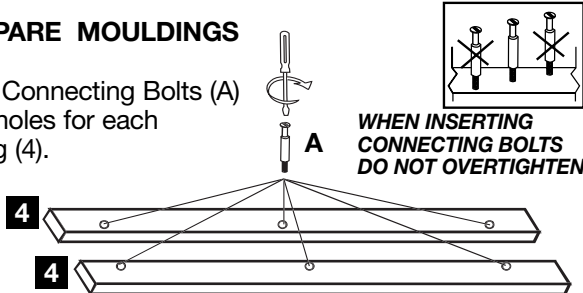
With Top Panel (1) upside down, screw four Connecting Bolts (A) into the holes as indicated in drawing.



WHEN INSERTING CONNECTING BOLTS DO NOT OVERTIGHTEN

3 PREPARE MOULDINGS

Screw 3 Connecting Bolts (A) into the holes for each Moulding (4).



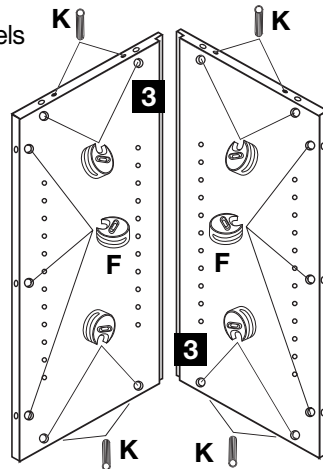
WHEN INSERTING CONNECTING BOLTS DO NOT OVERTIGHTEN

4 PREPARE SIDE PANELS

Place the Right and Left Side Panels (3) with the holes facing up.

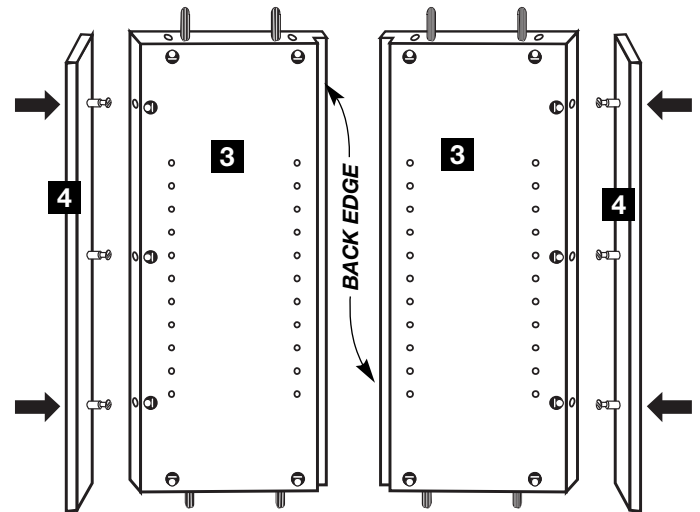
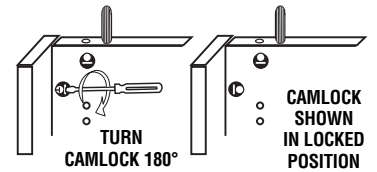
Insert Camlocks (F) into all side, top and bottom holes. This is a total of 7 Camlocks for each Side Panel (3). **Make sure that the opening of each camlock is facing towards the edge nearest it.** To make sure that the camlocks are completely inserted, tap them lightly with the hammer.

Insert 2 Wooden Dowels (K) into the inner holes of both the top and bottom edges of each Side Panel (3).



5 ATTACH MOULDINGS TO SIDE PANELS

Align the Connecting Bolts (A) of Moulding (4) with appropriate holes of the Camlocks (F) of Side Panel (3). Butt two pieces together. Turn Camlocks to locked position (see diagram). Repeat procedure for remaining Moulding (4) and Side Panel (3).

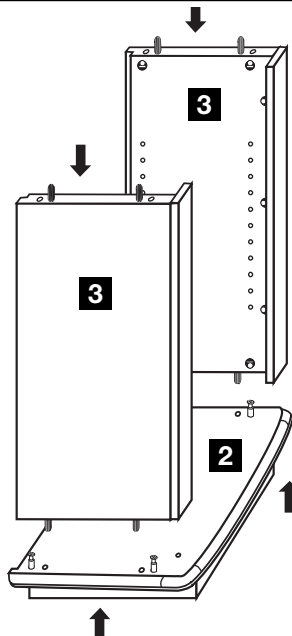


6 ATTACH TOP AND BOTTOM PANELS

Place Bottom Panel (2) with Attached Base and Swivel Mechanism down. Align Wooden Dowels (K) and holes of Side Panel (3) with appropriate holes and Connecting Bolts (A) of Bottom Panel (2).

Butt two pieces together. Turn Camlocks of bottom edge of Side Panel (3) to locked position. SEE DIAGRAM

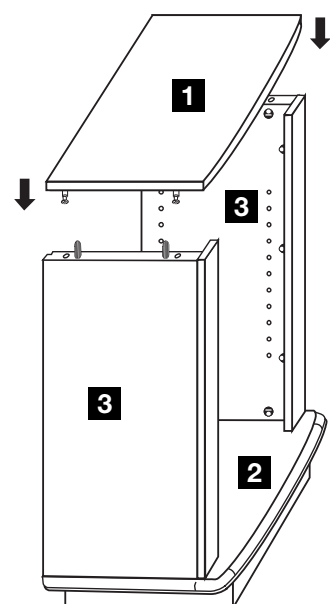
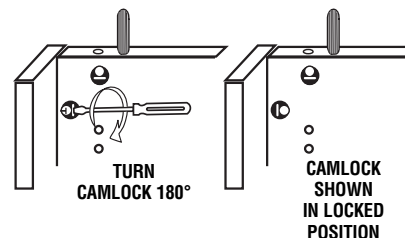
Repeat above procedure for remaining Side Panel (3).



Align Wooden Dowels (K) and holes of Side Panel (3) with appropriate holes and Connecting Bolts (A) of Top Panel (1).

Butt two pieces together. Turn Camlocks of top edge of Side Panel (3) to locked position. SEE DIAGRAM.

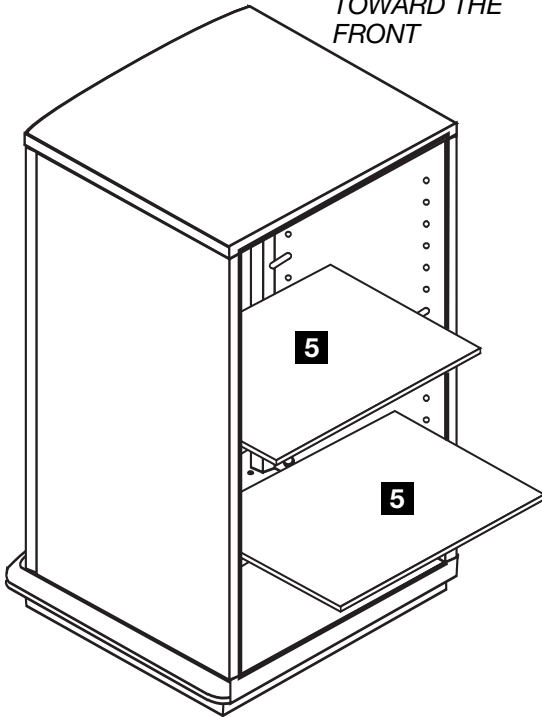
Repeat above procedure for remaining Side Panel (3).



7 ADD ADJUSTABLE SHELVES

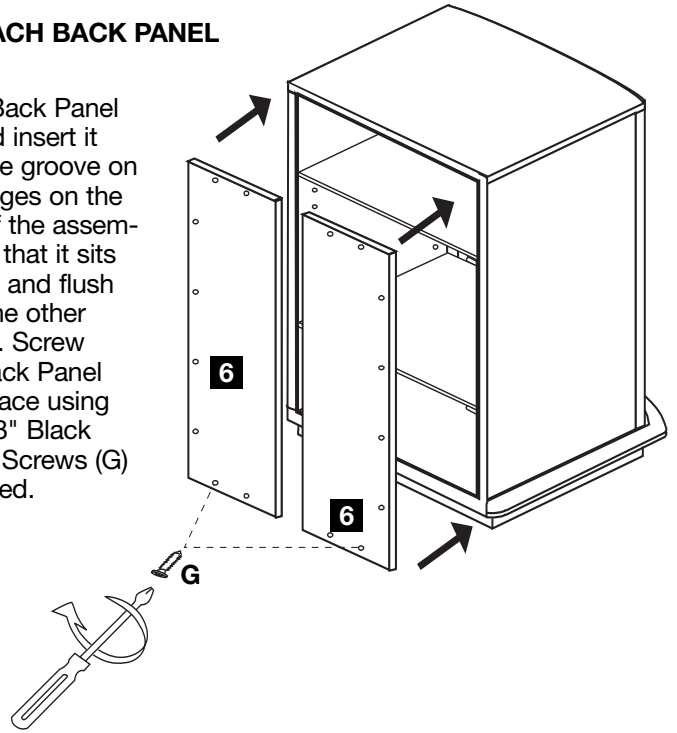
Insert shelf pins (H) into predrilled holes on insides of Left and Right Sides at desired heights and tap lightly into place. Lay Adjustable Shelf (5) into place. Repeat for remaining Adjustable Shelf.

KEEP FINISHED EDGES OF SHELVES (5) TOWARD THE FRONT



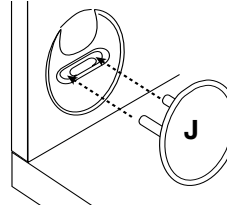
8 ATTACH BACK PANEL

Take Back Panel (6) and insert it into the groove on the edges on the rear of the assembly so that it sits evenly and flush with the other edges. Screw the Back Panel into place using the 5/8" Black Wood Screws (G) provided.

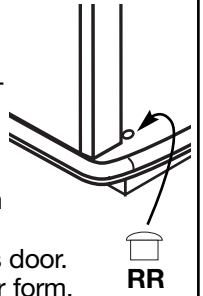


9 ADD CAMLOCK COVERS AND HOLE-COVER

Line up a Camlock Cover (J) over each camlock and push the camlock cover into place.



Hole-cover is provided to conceal the hole on bottom panel (in front to the left). This is an option provided for installing a glass door. Please see order form.



PLEASE SEE IMPORTANT SAFETY PRECAUTIONS ON PAGE 4.

Congratulations and enjoy your new ELITE product!

To clean your unit, apply window cleaner with soft tissue. This will also eliminate slight surface abrasions or scratches that may have occurred in shipping or handling.

Distributed by: Elite Industries, 77 Gould Street • Bayonne, NJ 07002, Tel.: 201-436-1120 • Fax: 201-436-6960 • www.elite-inds.com

Elite Industries ensures complete satisfaction with this product. In the event of missing or damaged parts call toll free, **Customer service hours: 8:45-4:45, Monday-Friday, EST., 1-800-ELITE-48 • VISIT OUR WEBSITE AT: www.elite-inds.com**

You may order a GLASS DOOR to fit the front opening of the EL-149S.

ORDER FORM

GLASS DOOR FOR EL-149S (with hardware)

PART NO. _____ PRICE EACH _____ QUANTITY _____

NAME _____

ADDRESS _____

CITY _____ STATE _____ ZIP CODE _____

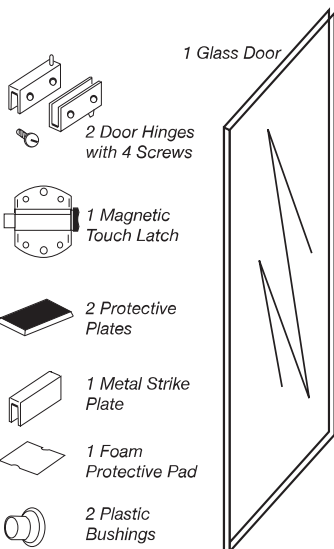
TELEPHONE _____ EMAIL _____

METHOD OF PAYMENT: CHECK MONEY ORDER CREDIT CARD

CREDIT CARD TYPE _____ EXP. DATE _____

CREDIT CARD NO. _____

SIGNATURE _____



IMPORTANT NOTICE

Top Panel, Part #1 is designed to be used with TV's and other A/V equipment **NOT** weighing more than **80 lbs.**

The loading weight needs to be evenly distributed across top panel and for optimum stability, Place TV in a center position on Top Panel, **not** unbalanced to the side against edge for example.

Also: Note dimensions for Top Panel Surface as listed at the beginning of this manual and read the following "**Important Safety Precautions**".

Bottom Panel, Part #2 is designed to be used with A/V components **NOT** weighing more than **44 lbs.**

Adjustable Shelves, Part #5, are designed to be used with A/V components **NOT** weighing more than **33 lbs. per shelf.**

HOWEVER, for the total unit loading capacity, **DO NOT** exceed a total of **170 lbs.**

IMPORTANT SAFETY PRECAUTIONS

Please carefully read & follow these **important safety information notes** for proper use of the furniture you have just assembled. They are **designed to avoid unsafe conditions** that can result in property damage, bodily injury or death. We therefore urge strict adherence to the following basic principals:

- Install this unit on a flat & level surface only.
- Avoid placing unit in direct sunlight or near heating source. We recommend not placing unit directly against wall but rather leaving a narrow space between unit and wall for proper ventilation of your A/V equipment.
- Do not exceed the above recommended weight loading limits as this can result in sagging or structural failure of the supporting panel leading to unsafe conditions.
- TV screen sizes are measured diagonally, therefore, base foot-print size for specific TV's can not be determined by screen size as they vary from manufacturer to manufacturer. Rather you will need to measure the TV's base foot print and compare it to the top panel surface size of your furniture as listed in this manual.
- Make sure to place TV **within** the surface area of the top panel, a bit inward from the front edge and centered. **Never** use with a TV that is **too large. The TV base foot print surface must be able to sit completely on the top panel surface.**
- When choosing locations for stacking A/V components on shelves, make sure to place the heaviest A/V equipment on the lowest possible shelves/bottom panels first.
- **Children should *never* be allowed to climb on or play with this furniture or/and the TV.** This can result in an unsafe situation which may lead to the TV and/or the furniture itself to become unsteady, slip, tip or fall over. Avoid using higher shelves or the top surface of the TV for objects that may tempt children to reach and climb. Such items can include toys, food, as well as remote controls, etc. Proper supervision and common sense is always required.
- Glass doors are "Tempered." This is a special process for achieving strength and safety. Although durable & solid we recommend avoiding bumping into glass with force or dropping or chipping edges etc. Special caution should be given to glass corners, both, for protection of glass as well as most importantly to avoid the possibility of injuries resulting from strong impacts against corners especially with children. Doors should be opened & closed gently. (Tempered glass is designed to shatter upon very strong impact and rather than producing sharp knife-like dangerous edges, it turns instead into small pebble-like pieces.)
- **Moving the unit:** Do not drag unit when moving, especially not on a carpeted surface or on a rug. It is always recommended instead to lift unit from both ends with a friend's help. For the sake of safety and to avoid damages, we recommend you remove the TV and all A/V components prior to moving this stand. It is a good idea to remove the glass panel surfaces as well. If this is not possible please use much caution and good judgment and seek help to ensure stability and safety as the stand is being moved. Make sure afterwards to properly re-adjust all equipment, centered and stable as originally instructed above.